

# Dell PowerVault MD3200i and MD3220i Storage Arrays

## Getting Started With Your System

Začínáme se systémem

Guide de mise en route

Handbuch zum Einstieg mit dem System

Τα πρώτα βήματα με το σύστημά σας

Rozpoczęcie pracy z systemem

Начало работы с системой

Introducción al sistema

Sisteminizi Kullanmaya Başlarken

תחילת עבודה עם המערכת





Dell PowerVault MD3200i and  
MD3220i Storage Arrays

Getting Started  
With Your System



# Notes, Cautions, and Warnings



**NOTE:** A NOTE indicates important information that helps you make better use of your computer.



**CAUTION:** A CAUTION indicates potential damage to hardware or loss of data if instructions are not followed.



**WARNING:** A WARNING indicates a potential for property damage, personal injury, or death.

---

**Information in this publication is subject to change without notice.**

**© 2011 Dell Inc. All rights reserved.**

Reproduction of these materials in any manner whatsoever without the written permission of Dell Inc. is strictly forbidden.

Trademarks used in this text: Dell™, the DELL logo, and PowerVault™ are trademarks of Dell Inc. Microsoft® and Windows Server® are either trademarks or registered trademarks of Microsoft Corporation in the United States and/or other countries. Red Hat® and Red Hat Enterprise Linux® are registered trademarks of Red Hat, Inc. in the United States and other countries. SUSE® is a registered trademark of Novell, Inc. in the United States and other countries. VMware® is a registered trademark of VMware, Inc. in the United States and/or other jurisdictions.

Other trademarks and trade names may be used in this publication to refer to either the entities claiming the marks and names or their products. Dell Inc. disclaims any proprietary interest in trademarks and trade names other than its own.

**Regulatory Model Series E03J and E04J**

**2011 - 08 P/N J26CK Rev. A02**

# Before You Begin



**NOTE:** Throughout the document, Dell PowerVault MD3200i series storage array refers to both Dell PowerVault MD3200i and Dell PowerVault MD3220i. Dell PowerVault MD1200 series expansion enclosure refers to both Dell PowerVault MD1200 and Dell PowerVault MD1220.

Before setting up your Dell PowerVault MD3200i series storage array, you must consider certain best practices to ensure that your storage array operates at maximum efficiency and offers full redundancy (if required).

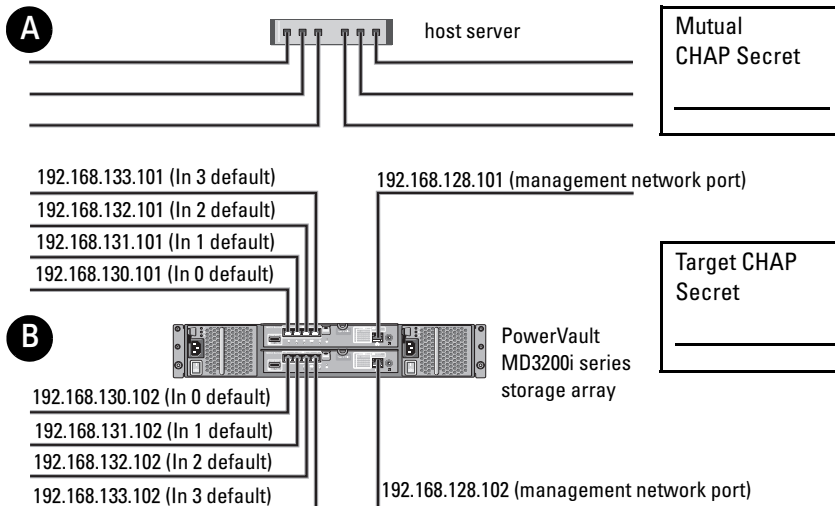
- It is recommended that you use a dedicated IP SAN for iSCSI data transmission. Management traffic can be isolated on a separate management network.
- Complete the iSCSI configuration worksheet before configuring iSCSI. See "Completing the iSCSI Worksheet" on page 4. This worksheet gathers physical network information in a single source.
- After completing the iSCSI worksheet, draw the configuration before setting up the solution.
- Always configure redundant iSCSI data paths to provide alternate paths to and from the host server should one of the data paths become disabled.
- If multiple NICs are installed on a host, it is recommended that you use different subnets for management and iSCSI data links.
- Throughout the network, always use a Category 5e (or higher) Ethernet cable.
- Before connecting any cables between the host server and storage array, physically label each port and connector.
- Always follow proper power-up and power-down procedures when cycling power across the network. You must also ensure that critical network components are on separate power circuits.



**NOTE:** The illustrations in this document show cabling for only one PowerVault MD3200i series storage array in a SAN environment. The illustrations also show only the default IP addresses for the PowerVault MD3200i series storage array. To cable more than one PowerVault MD3200i series storage array in a SAN environment, see the *Deployment Guide*.


# Completing the iSCSI Worksheet

## IPv4 Settings



*If you need additional space for more than one host server, use an additional sheet.*

<b>A</b> Static IP address (host server)	Subnet mask	Default gateway
iSCSI port 1	_____	_____
iSCSI port 2	_____	_____
iSCSI port 3	_____	_____
iSCSI port 4	_____	_____
Management port	_____	_____


 **NOTE:** The host server can support up to four NICs.

<b>B</b> Static IP address (storage array)	Subnet mask	Default gateway
iSCSI controller 0, In 0	_____	_____
iSCSI controller 0, In 1	_____	_____
iSCSI controller 0, In 2	_____	_____
iSCSI controller 0, In 3	_____	_____
Management port cntnl 0	_____	_____
iSCSI controller 1, In 0	_____	_____
iSCSI controller 1, In 1	_____	_____
iSCSI controller 1, In 2	_____	_____
iSCSI controller 1, In 3	_____	_____
Management port cntnl 1	_____	_____

 **NOTE:** For information about the IPv6 worksheet, see the *Deployment Guide*.

## Other Documentation and Media You May Need

 **WARNING:** See the safety and regulatory information that shipped with your system. Warranty information may be included within this document or as a separate document.

 **NOTE:** All PowerVault MD3200i series storage array documents are available at [support.dell.com/manuals](http://support.dell.com/manuals).

- The rack documentation included with your rack solution describes how to install your system into a rack.
- The *Owner's Manual* provides information about system features and describes how to troubleshoot the system and install or replace system components.
- The *Deployment Guide* provides information about installing and configuring the software and hardware.
- The *CLI Guide* provides information about using the command line interface (CLI) to configure and manage your storage array.

- The *SMI-S Programmer's Guide* provides information about using the SMI-S provider and SMI-S programming.
- Any media that ships with your system that provides documentation and tools for configuring and managing your system, including those pertaining to the operating system, system management software, system updates, and system components that you purchased with your system.



**NOTE:** Always check for updates on [support.dell.com/manuals](https://support.dell.com/manuals) and read the updates first because they often supersede information in other documents.

## Preparing the Host Server

### Supported Operating Systems

- Microsoft Windows Server
- Red Hat Enterprise Linux
- SUSE Linux Enterprise Server
- VMware



**NOTE:** For the latest information on all supported operating system versions, see the *Support Matrix* at [support.dell.com/manuals](https://support.dell.com/manuals).

### Additional NICs for iSCSI

When installing additional NICs, it is recommended that:

- You use dedicated redundant storage networks for iSCSI traffic. If a dedicated network is not feasible, isolate the iSCSI traffic from general network traffic using virtual local area networks (VLAN).
- You use additional NICs dedicated for iSCSI traffic.
- The NICs must be added in pairs for redundancy (up to four NICs).



**NOTE:** A single NIC is also supported.

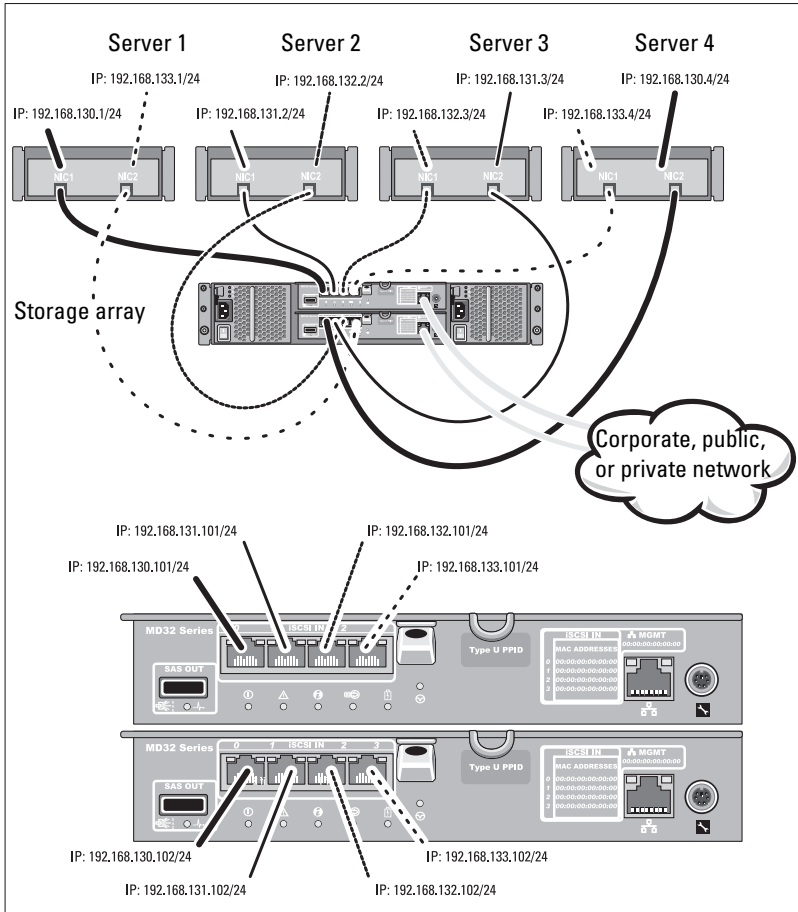
### NIC Configuration

In a SAN environment, depending on the number of switches, it is recommended that you use two or four unique subnets for iSCSI traffic. For direct-attached storage environments, each NIC directly connected to the PowerVault MD3200i series storage array must be on a separate subnet.

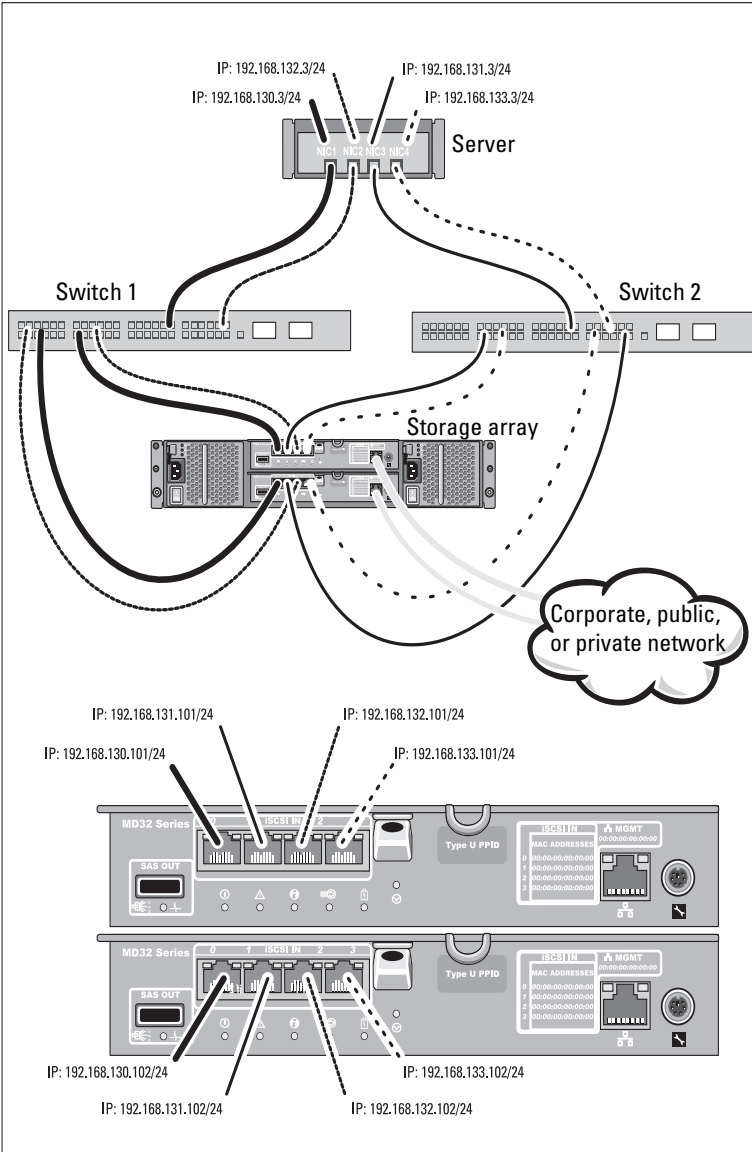


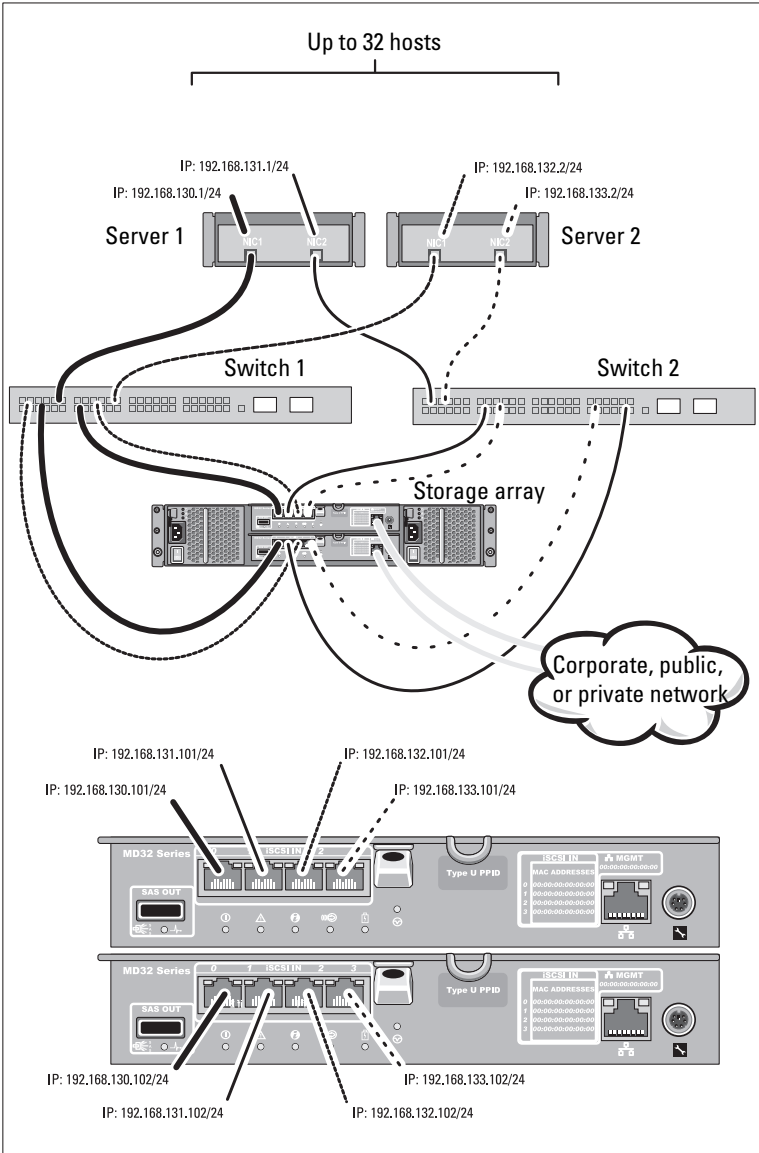
# Common Configurations

## Cabling Your Direct-Attached Hosts




## Cabling Your SAN-Attached Hosts





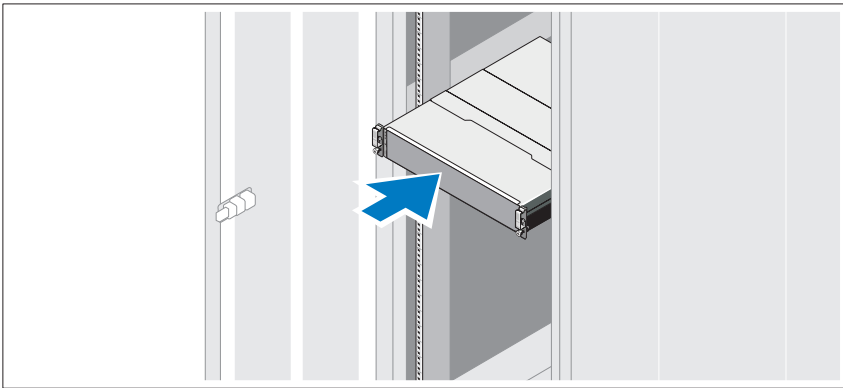
# Installation and Configuration

 **WARNING:** Before performing the following procedure, review the safety instructions that came with the system.


## Unpacking the System

Unpack your system and identify each item with the packing list that shipped with your system.

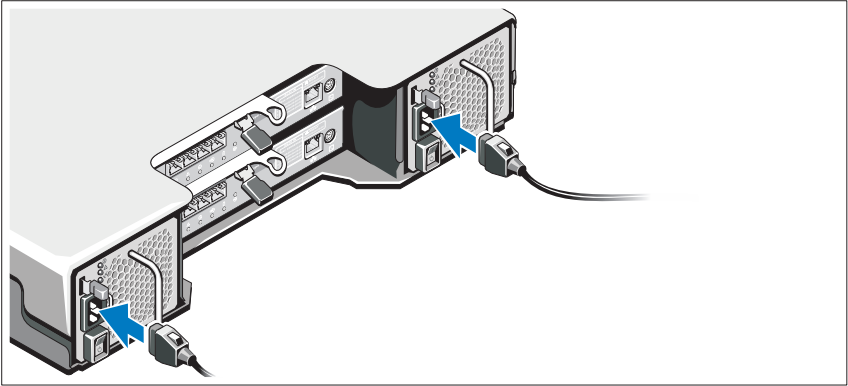
## Installing the Rails and System in a Rack



Assemble the rails and install the system in the rack following the safety instructions and the rack installation instructions provided with your system.

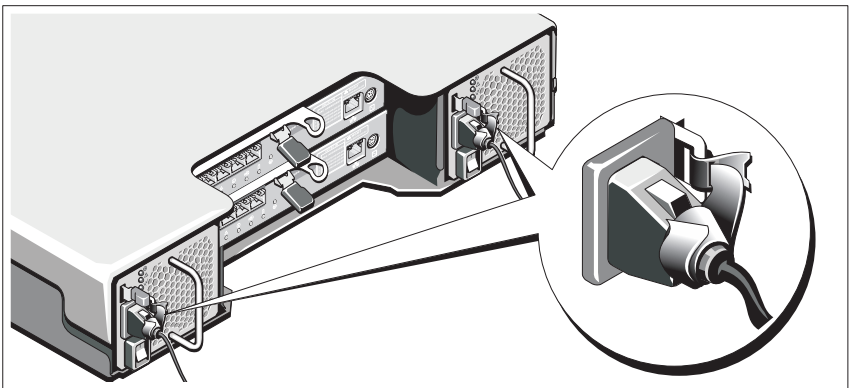
 **NOTE:** To balance the weight load, it is recommended that you install the PowerVault MD3200i series storage array at the bottom of the rack and the PowerVault MD1200 series expansion enclosures above it.

## Connecting the Power Cable(s)



Ensure that the power switch is in the OFF position before connecting the power cables. Connect the system's power cable(s) to the system.

## Securing the Power Cable(s)



Secure the cable(s) firmly to the bracket using the provided strap.

Plug the other end of the power cables into a grounded electrical outlet or a separate power source such as an uninterruptible power supply (UPS) or a power distribution unit (PDU). Each power supply must be connected to a separate power circuit.

## Cabling Your Expansion Enclosure

PowerVault MD1200  
series expansion  
enclosure 2 (optional)



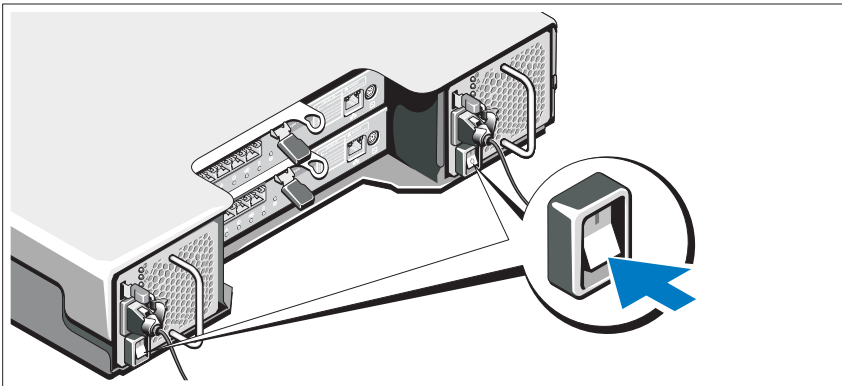
PowerVault MD1200  
series expansion  
enclosure 1 (optional)



PowerVault MD3200i  
series storage array



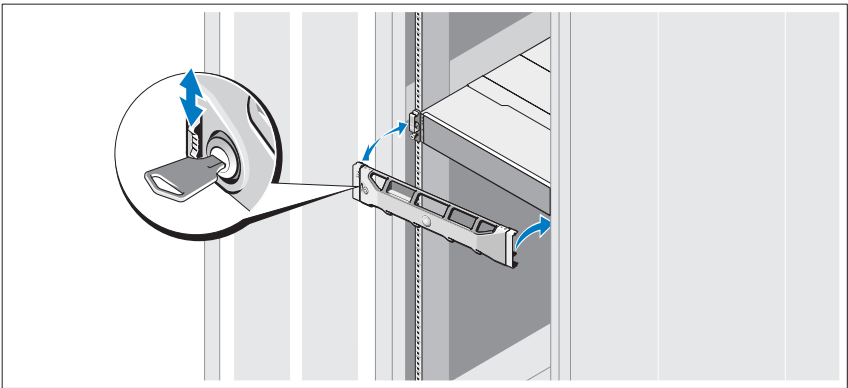
## Turning On the Enclosure



Turn on components in the following order

- 1 Ethernet switches (if used)
- 2 PowerVault MD1200 series expansion enclosures (if used)
  - ✎ **NOTE:** Before turning on the storage array, ensure that the expansion enclosure status LED is blue.
- 3 PowerVault MD3200i series storage array
  - ✎ **NOTE:** Before turning on the host server(s), ensure that the storage array status LED is blue.
- 4 Host server(s)

## Installing the Bezel



Install the bezel (optional).

## Installing the MD Storage Software

- ✎ **NOTE:** For detailed instructions about installing the MD storage software, setting up the enclosure, and the post-installation tasks, see the *Deployment Guide*.

The MD Storage Manager software configures, manages and monitors the storage array. The MD Configuration Utility (MDCU) is an optional utility that provides a consolidated approach for configuring the management and

iSCSI host ports, and creating sessions for the iSCSI modular disk storage arrays. It is recommended that you use MDCU to configure iSCSI on each host server connected to the storage array. To install the MD storage software:

- 1 Insert the MD series resource media.

Depending on your operating system, the installer may launch automatically. If the installer does not launch automatically, navigate to the root directory of the installation media (or downloaded installer image) and run the **md\_launcher.exe** file. For Linux-based systems, navigate to the root of the resource media and run the **autorun** file.




**NOTE:** By default, the Red Hat Enterprise Linux operating system mounts the resource media with the **-noexec mount** option which does not allow you to run executable files. To change this setting, see the **Readme** file in the root directory of the installation media.


- 2 Select **Install MD Storage Software**.
- 3 Read and accept the license agreement.
- 4 Select one of the following installation options from the **Install Set** drop-down menu:
  - **Full (recommended)**—Installs the MD Storage Manager (client) software, host-based storage agent, multipath driver, and hardware providers.
  - **Host Only**—Installs the host-based storage agent and multipath drivers.
  - **Management**—Installs the management software and hardware providers.
  - **Custom**—Allows you to select specific components.
- 5 Select the MD storage array model(s) you are setting up to serve as data storage for this host server.
- 6 Choose whether to start the event monitor service automatically when the host server reboots or manually
  - **NOTE:** This option is applicable only to Windows client software installation.
- 7 Confirm the installation location and click **Install**.
- 8 If prompted, reboot the host server after the installation completes.



- 9 When the reboot is complete, the MDCU may launch automatically. If the MDCU does not launch automatically, launch it manually.
  - In a Windows-based operating system, click **Start**→ **Dell**→ **Modular Disk Configuration Utility**.
  - In a Linux-based operating system, double-click the **Modular Disk Configuration Utility** icon on the desktop.

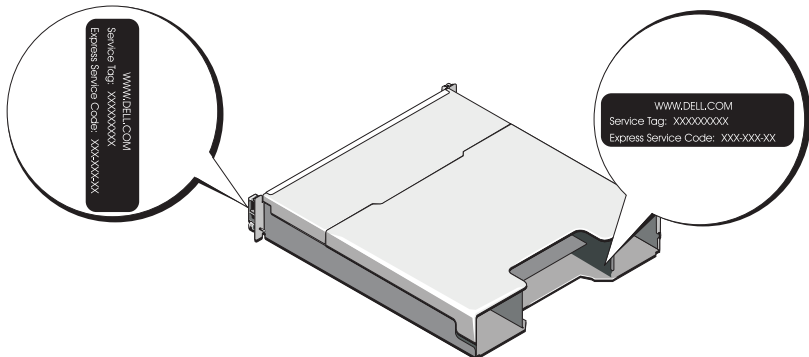
 **NOTE:** If MDCU is not installed, see the *Deployment Guide* at [support.dell.com/manuals](http://support.dell.com/manuals).

- 10 Start the MD Storage Manager and discover the array(s).
- 11 If applicable, activate any premium features purchased with your storage array. If you purchased premium features, see the printed activation card shipped with your storage array.

 **NOTE:** The MD Storage Manager installer automatically installs the required drivers, firmware, and operating system patches/hotfixes to operate your storage array. These drivers and firmware are also available at [support.dell.com](http://support.dell.com). In addition, see the *Support Matrix* at [support.dell.com/manuals](http://support.dell.com/manuals) for any additional settings and/or software required for your specific storage array.

## Locating Your Service Tag

Your system is identified by a unique Express Service Code and Service Tag number. The Express Service Code and Service Tag are found on the front of the system and at the back of the system next to the RAID controller modules. This information is used by Dell to route support calls to the appropriate personnel.



## NOM Information (Mexico Only)

The following information is provided on the device described in this document in compliance with the requirements of the official Mexican standards (NOM):

Importer:	Dell Inc. de México, S.A. de C.V. Paseo de la Reforma 2620 -11º Piso Col. Lomas Altas 11950 México, D.F.
Model number:	E03J and E04J
Supply voltage:	100–240 V CA
Frequency:	50/60 Hz
Current consumption:	8.6 A

## Technical Specifications

---

### Drives

PowerVault MD3200i	Up to twelve 3.5-inch SAS hot-swappable hard drives (3.0 Gbps and 6.0 Gbps)
PowerVault MD3220i	Up to twenty four 2.5-inch SAS hot-swappable hard drives (3.0 Gbps and 6.0 Gbps)

---

### RAID Controller Modules

RAID controller modules	<ul style="list-style-type: none"><li>• One or two hot-swappable modules with temperature sensors</li><li>• 2 GB of cache per controller</li></ul>
-------------------------	--

---

### Back-Panel Connectors (Per RAID Controller Module)

iSCSI connectors	Four 1 GB iSCSI IN connectors to connect hosts
SAS expansion connector	One SAS OUT port for expansion to an additional PowerVault MD1200 series enclosure. <b>NOTE:</b> SAS connectors are SFF-8088 compliant.
Serial connector	One 6-pin mini-DIN connector <b>NOTE:</b> For technical support use only.

---

**Back-Panel Connectors (Per RAID Controller Module) (continued)**

---

Management Ethernet connector	<p>One 100/1000 Base-T port Ethernet for out-of-band management of the enclosure</p> <p><b>NOTE:</b> The default management port IP addresses for the primary and secondary RAID controller modules are 192.168.128.101 and 192.168.128.102, respectively. By default, the management ports are set to Dynamic Host Configuration Protocol (DHCP). If the controller is unable to get an IP address configuration from a DHCP server within a specified time out period (approximately 3 minutes), it defaults back to static IP addressing. For more information, see the <i>Deployment Guide</i>.</p>
-------------------------------	---

---

**Expansion**

---

PowerVault MD1200 series	<p>Supports a maximum of 192 hard drives with any combination of PowerVault MD1200 or PowerVault MD1220 expansion enclosures. Support for 192 hard drives is a Premium Feature and requires activation. The maximum number of hard drives supported without using the Premium Feature is 120.</p> <p>Redundant path connectivity provides redundant data paths to each hard drive.</p>
--------------------------	--

---

**Backplane Board**

---

Connectors	<ul style="list-style-type: none"><li>• 12 or 24 SAS hard-drive connectors</li><li>• Two power supply/cooling fan module connectors</li><li>• Two sets of RAID controller module connectors</li><li>• One control panel connector for front LEDs and enclosure mode switch</li></ul>
Sensors	Two temperature sensors

---

## LED Indicators

---

Front panel	<ul style="list-style-type: none"><li>• One two-color LED indicator for system status</li><li>• Two single-color LED indicators for power and enclosure mode</li></ul> <p><b>NOTE:</b> The enclosure mode LED is not applicable to the PowerVault MD3200i series storage array.</p>
Hard-drive carrier	<ul style="list-style-type: none"><li>• One single-color activity LED</li><li>• One two-color LED status indicator per drive</li></ul>
Power supply/cooling fan	Three LED status indicators for power supply status, power supply/fan fault, and AC status
RAID controller module	Ten single-color LEDs: <ul style="list-style-type: none"><li>• One battery fault</li><li>• One cache active</li><li>• One controller fault</li><li>• One controller power</li><li>• One system identification</li><li>• One management Ethernet activity</li><li>• Four iSCSI IN port activity</li></ul> Six two-color LEDs: <ul style="list-style-type: none"><li>• Four iSCSI IN link speed</li><li>• One SAS OUT link or fault</li><li>• One management Ethernet link speed</li></ul>

---

## Switch

---

System identification button	Located on the front control panel. This button is used to locate a system within a rack.
Enclosure mode switch	Located on the front of the system. This switch is not applicable to the PowerVault MD3200i series storage array.
Password reset switch	Located on the back panel of the RAID controller module. This switch is used to reset the storage array password.

---

**Power Supplies**

---

## AC power supply (per power supply)

Wattage	600 W
Voltage	100–240 VAC (8.6 A–4.3 A)
Heat dissipation	100 W
Maximum inrush current	Under typical line conditions and over the entire system ambient operating range, the inrush current may reach a maximum of 55 A per power supply for 10 ms or less.

---

**Available Hard-Drive Power (Per Slot)**

---

PowerVault MD3200i	25 W
PowerVault MD3220i	12 W

---

**RAID Controller Module Power (Per Slot)**

---

Maximum power consumption	100 W
---------------------------	-------

---

**Physical**

---

## PowerVault MD3200i

Height	8.68 cm (3.41 inches)
Width	44.63 cm (17.57 inches)
Depth	60.20 cm (23.70 inches)
Weight (maximum configuration)	29.30 kg (64.6 lb)
Weight (empty)	8.84 kg (19.5 lb)

## PowerVault MD3220i

Height	8.68 cm (3.41 inches)
Width	44.63 cm (17.57 inches)
Depth	54.90 cm (21.61 inches)
Weight (maximum configuration)	24.22 kg (53.4 lb)
Weight (empty)	8.61 kg (19lb)

---

## Environmental

---

**NOTE:** For additional information about environmental measurements for specific system configurations, see [www.dell.com/environmental\\_datasheets](http://www.dell.com/environmental_datasheets).

### Temperature

Operating 10 °C to 35 °C (50 °F to 95 °F) with a maximum temperature gradation of 10 °C per hour

**NOTE:** For altitudes above 2950 feet, the maximum operating temperature is derated 1°F/550 ft.

Storage -40° to 65°C (-40° to 149°F) with a maximum temperature gradation of 20°C per hour

### Relative humidity

Operating 20% to 80% (noncondensing) with a maximum humidity gradation of 10% per hour

Storage 5% to 95% (noncondensing)

### Maximum vibration

Operating 0.25 G at 3–200 Hz for 15 min

Storage 0.5 G at 3–200 Hz for 15 min

### Maximum shock

Operating One shock pulse in the positive z axis (one pulse on each side of the system) of 31 G for 2.6 ms in the operational orientation

Storage Six consecutively executed shock pulses in the positive and negative x, y, and z axes (one pulse on each side of the system) of 71 G for up to 2 ms

### Altitude

Operating -16 to 3048 m (-50 to 10,000 ft)

**NOTE:** For altitudes above 2950 feet, the maximum operating temperature is derated 1°F/550 ft.

Storage -16 to 10,600 m (-50 to 35,000 ft)

### Airborne Contaminant Level

Class G1 as defined by ISA-S71.04-1985

Disková pole Dell PowerVault

MD3200i a MD3220i

Začínáme se systémem

Číslo modelu série: E03J a E04J



# Poznámky a upozornění



**POZNÁMKA:** POZNÁMKA označuje důležité informace, které pomáhají lepšímu využití počítače.



**UPOZORNĚNÍ:** UPOZORNĚNÍ poukazuje na možnost poškození hardwaru nebo ztráty dat v případě nedodržení pokynů.



**VAROVÁNÍ:** VAROVÁNÍ upozorňuje na potenciální nebezpečí poškození majetku, úrazu nebo smrti.

---

**Informace v této publikaci se mohou bez předchozího upozornění změnit.**

© 2011 Dell Inc. Všechna práva vyhrazena.

Jakákoli reprodukce těchto materiálů bez písemného povolení společnosti Dell Inc. je přísně zakázána.

Ochranné známky použité v tomto textu: Dell™, logo DELL a PowerVault™ jsou ochranné známky společnosti Dell Inc. Microsoft® a Windows Server® jsou buď ochranné známky, nebo registrované ochranné známky společnosti Microsoft Corporation ve Spojených státech nebo v jiných zemích. Red Hat® a Red Hat Enterprise Linux® jsou registrované ochranné známky společnosti Red Hat, Inc. v USA a v dalších zemích. SUSE® je registrovaná ochranná známka společnosti Novell, Inc. v USA a dalších zemích. VMware® je registrovaná ochranná známka společnosti VMware, Inc. v USA nebo v dalších zemích.

V této publikaci mohou být použity další ochranné známky a obchodní názvy s odkazem na společnosti vlastníci tyto známky a názvy nebo na jejich produkty. Společnost Dell Inc. se zříká všech vlastnických nároků na ochranné známky a obchodní názvy jiné než vlastní.

Číslo modelu série: E03J a E04J

2011 - 08 Č. dílu J26CK Rev. A02



## Než začnete



**POZNÁMKA:** V tomto dokumentu se název diskové pole série Dell PowerVault MD3200i vztahuje jak k Dell PowerVault MD3200i, tak k Dell PowerVault MD3220i. Rozšiřující skříň série Dell PowerVault MD1200 se vztahuje jak k Dell PowerVault MD1200, tak k Dell PowerVault MD1220.

Než začnete s instalací diskového pole série Dell PowerVault MD3200i, vezměte v úvahu osvědčené metody, s jejichž pomocí zajistíte, aby diskové pole pracovalo s maximální účinností a nabízelo plnou redundanci (pokud je třeba).

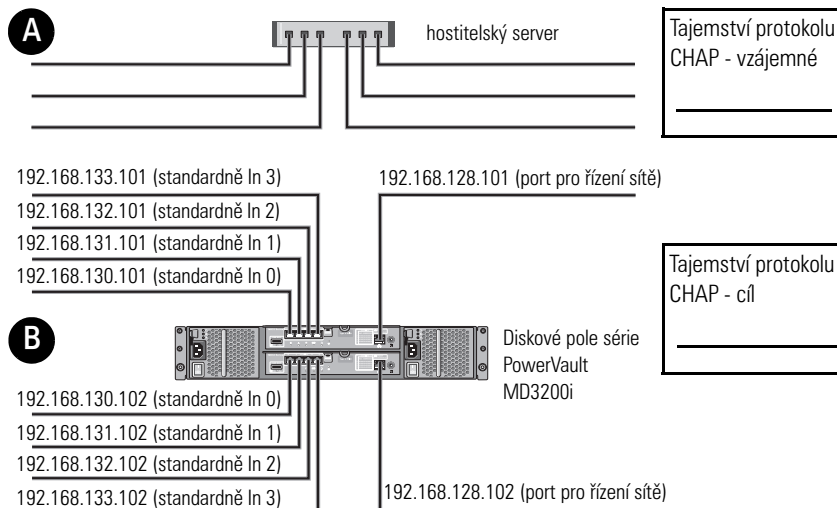
- Doporučujeme, abyste pro datové přenosy iSCSI používali dedikované IP SAN. Zasílání řídicích dat lze oddělit do samostatné sítě určené k tomuto účelu.
- Než začnete konfigurovat iSCSI, vyplňte příslušný konfigurační pracovní list. Viz Vyplnění pracovního listu iSCSI na straně 24. Tento pracovní list bude tvořit zdroj informací o fyzické síti.
- Poté co vyplníte pracovní list iSCSI, si zakreslete konfiguraci. Teprve poté proveďte instalaci.
- Vždy nastavujte redundantní datové cesty iSCSI. Budou sloužit jako náhradní cesty k/z hostitelského serveru v případě, že bude některá z datových cest vyřazena z provozu.
- Pokud je na hostitelském serveru nainstalováno více síťových karet, doporučujeme, abyste pro zasílání řídicích a obyčejných dat iSCSI používali různé podsítě.
- V celé síti používejte Ethernetový kabel kategorie 5e (nebo vyšší).
- Než mezi hostitelským serverem a diskovým polem připojíte jakékoli kabely, označte každý port a konektor.
- Pokud jsou sesíťované systémy pod napětím, vždy dodržujte správné postupy při zapínání a vypínání systémů. Musíte též zajistit, aby důležité síťové komponenty měly oddělené hlavní obvody.



**POZNÁMKA:** Obrázky obsažené v tomto dokumentu zobrazují připojení pouze jednoho diskového pole série PowerVault MD3200i v prostředí SAN. Obrázky též zobrazují pouze standardní IP adresy diskového pole série PowerVault MD3200i. Chcete-li v prostředí SAN připojit více než jedno diskové pole série PowerVault MD3200i, nahlédněte do *Instalační příručky*.

# Vyplnění pracovního listu iSCSI

## Nastavení IPv4



Potřebujete-li více místa pro více než jeden hostitelský server, použijte další list.


<b>A</b> Statická IP adresa (hostitelský server)	Maska podsítě	Výchozí brána
iSCSI port 1	_____.	_____.
iSCSI port 2	_____.	_____.
iSCSI port 3	_____.	_____.
iSCSI port 4	_____.	_____.
Řídicí port	_____.	_____.


**POZNÁMKA:** Hostitelský server může podporovat až čtyři síťové karty.

<b>B</b> Statická IP adresa (diskové pole)	Maska podsítě	Výchozí brána
Řadič iSCSI 0, ln 0	____.____.____.____.	____.____.____.____.
Řadič iSCSI 0, ln 1	____.____.____.____.	____.____.____.____.
Řadič iSCSI 0, ln 2	____.____.____.____.	____.____.____.____.
Řadič iSCSI 0, ln 3	____.____.____.____.	____.____.____.____.
Řídicí port cntrl 0	____.____.____.____.	____.____.____.____.
Řadič iSCSI 1, ln 0	____.____.____.____.	____.____.____.____.
Řadič iSCSI 1, ln 1	____.____.____.____.	____.____.____.____.
Řadič iSCSI 1, ln 2	____.____.____.____.	____.____.____.____.
Řadič iSCSI 1, ln 3	____.____.____.____.	____.____.____.____.
Řídicí port cntrl 1	____.____.____.____.	____.____.____.____.

 **POZNÁMKA:** Informace o pracovním listě pro IPv6 viz *Instalační příručka*.

## Další dokumenty a média, které můžete potřebovat

 **VAROVÁNÍ:** Prostudujte si informace o bezpečnosti a předpisech, které byly dodány se systémem. Informace o záruce jsou součástí tohoto dokumentu nebo jsou přiloženy samostatně.

 **POZNÁMKA:** Veškeré dokumenty diskového pole série PowerVault MD3200i lze získat na adrese [support.dell.com/manuals](http://support.dell.com/manuals).

- Pokyny k instalaci do stojanu dodané se stojanovým řešením popisují instalaci systému do stojanu.
- *Příručka majitele hardwaru* obsahuje informace o funkcích systému a popisuje řešení problémů se systémem a instalaci nebo výměnu komponent.
- *Instalační příručka* obsahuje informace o instalaci a konfiguraci softwaru a hardwaru.
- *Příručka CLI* obsahuje informace o tom, jak ke konfiguraci a správě diskového pole používat rozhraní CLI.
- *Příručka programátora SMI-S* obsahuje informace o tom, jak používat poskytovatele SMI-S, a o programování SMI-S.

- Média dodaná se systémem obsahují dokumentaci a nástroje pro konfiguraci a správu systému. Mohou být dodána například média týkající se operačního systému, softwaru pro správu systému, aktualizací systému a komponent zakoupených se systémem.



**POZNÁMKA:** Vždy nejprve zkontrolujte a přečtěte aktualizace uvedené na adrese [support.dell.com/manuals](https://support.dell.com/manuals), protože tyto aktualizace často nahrazují informace v ostatních dokumentech.

## Příprava hostitelského serveru

### Podporované operační systémy

- Microsoft Windows Server
- Red Hat Enterprise Linux
- SUSE Linux Enterprise Server
- VMware



**POZNÁMKA:** Nejnovější informace o všech podporovaných verzích operačních systémů naleznete v *matici odborné pomoci* na adrese [support.dell.com/manuals](https://support.dell.com/manuals).

### Další síťové karty pro iSCSI

Chcete-li instalovat další síťové karty, doporučujeme abyste:

- pro provoz iSCSI používali dedikovanou redundantní SAN, pokud není použití dedikované sítě možné, oddělte provoz iSCSI od zbytku provozu v síti pomocí sítě VLAN.
- používali další síťové karty dedikované pro provoz iSCSI.
- z důvodů redundance přidávali síťové karty po dvojicích (až čtyři NIC).



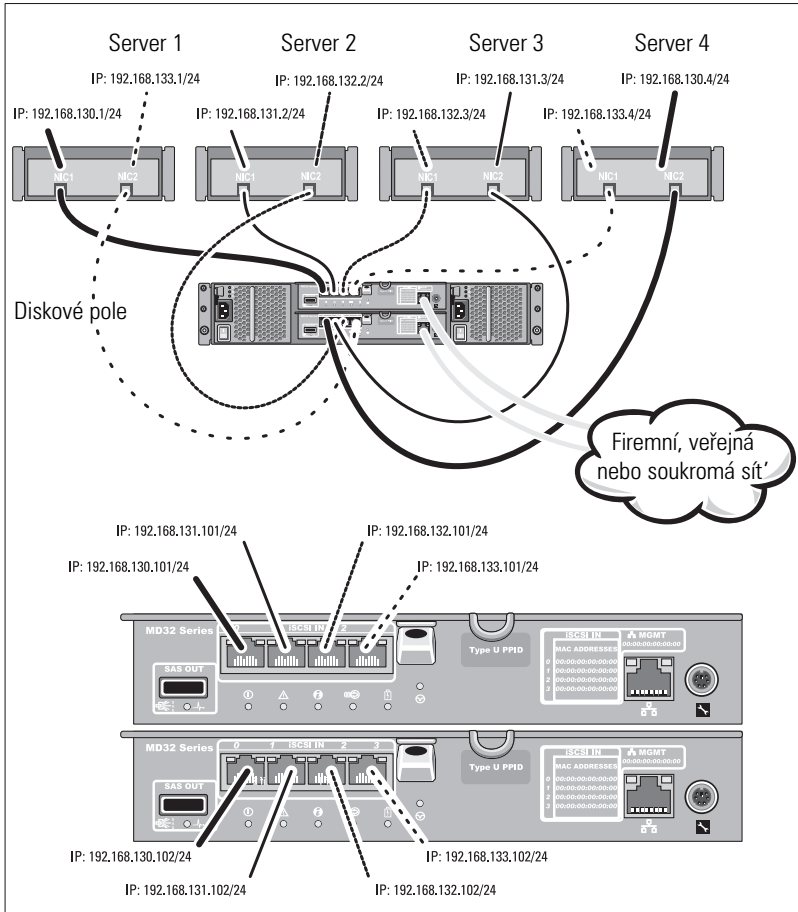
**POZNÁMKA:** Umístění jediné síťové karty je také podporováno.

### Konfigurace síťových karet

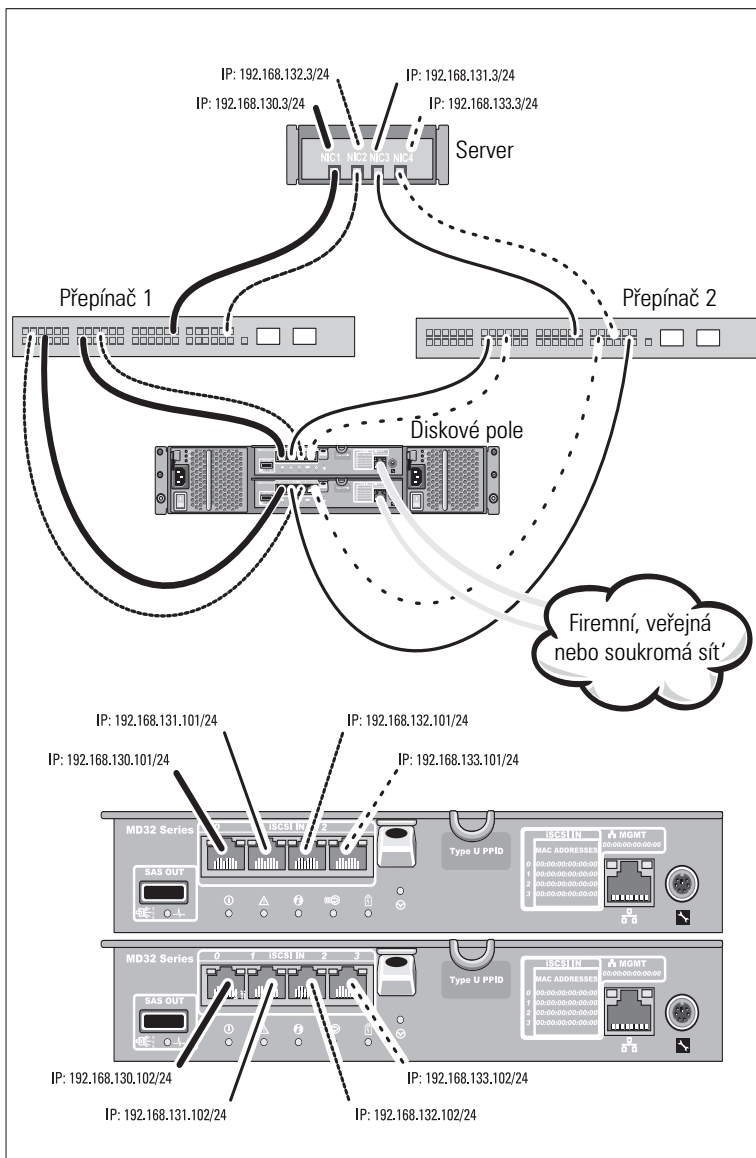
V prostředí SAN doporučujeme, abyste pro provoz iSCSI používali dvě až čtyři jedinečné podsítě (dle počtu přepínačů). V prostředí s hostitelskými systémy DAS musí být každá síťová karta, která je přímo připojená k diskovému poli PowerVault MD3200i, ve vlastní podsíti.

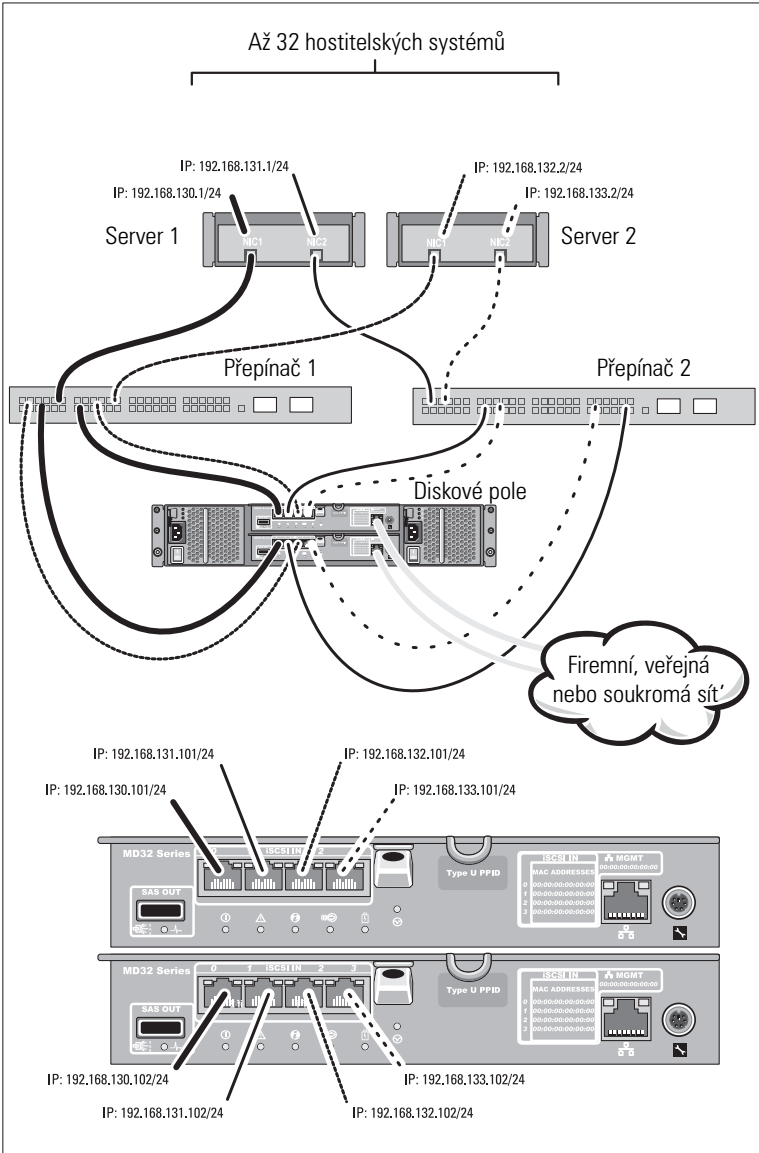
# Obvyklé konfigurace

## Připojení hostitelských systémů v DAS



## Připojení hostitelských systémů v SAN





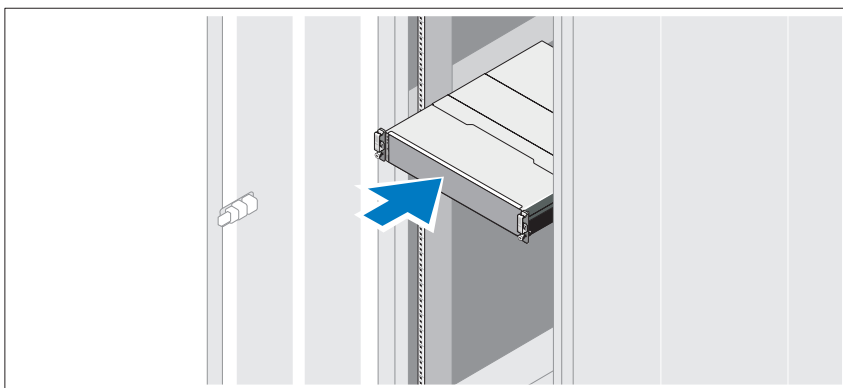
# Instalace a konfigurace

**VAROVÁNÍ:** Před provedením následujícího postupu si prostudujte bezpečnostní pokyny dodané se systémem.

## Rozbalení systému

Rozbalte systém a zkontrolujte každou položku dle seznamu, který jste obdrželi společně se systémem.

## Instalace kolejniček a systému do stojanu

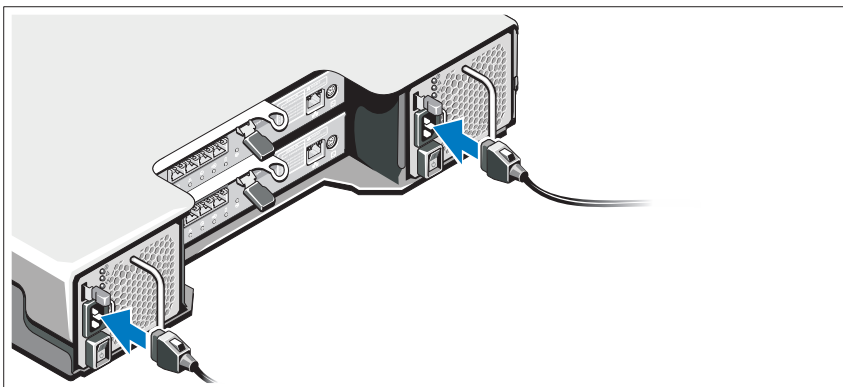


Sestavte kolejničky a nainstalujte systém do stojanu podle bezpečnostních pokynů a pokynů k instalaci do stojanu dodaných se systémem.

**POZNÁMKA:** Chcete-li správně vyvážit stojan, doporučujeme namontovat diskové pole PowerVault MD3200i do spodní části stojanu a rozšiřující skříň PowerVault MD1200 nad ně.

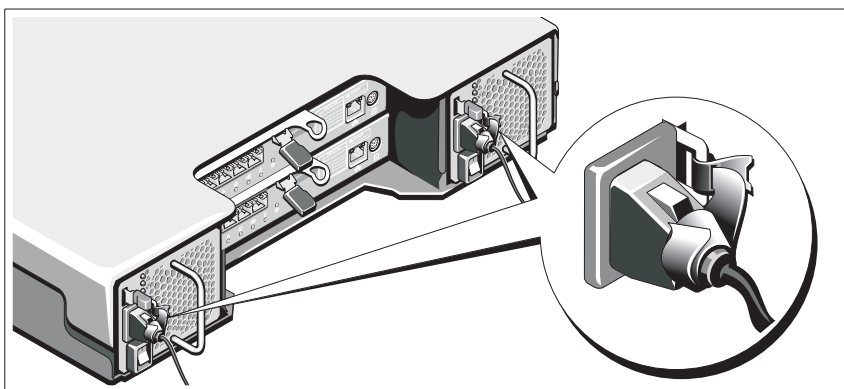


## Připojení napájecích kabelů



Předtím, než připojíte napájecí kabely, se prosím ujistěte, že se vypínač nachází v poloze VYPNUTÝ. Připojte napájecí kabely k systému.

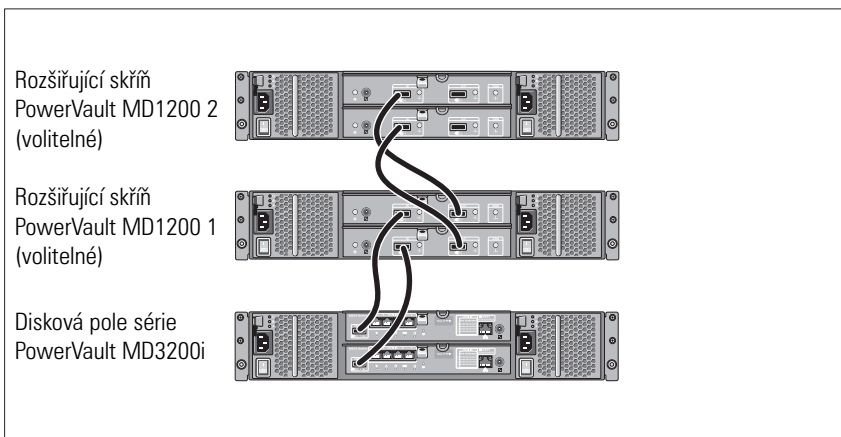
## Zajištění napájecích kabelů



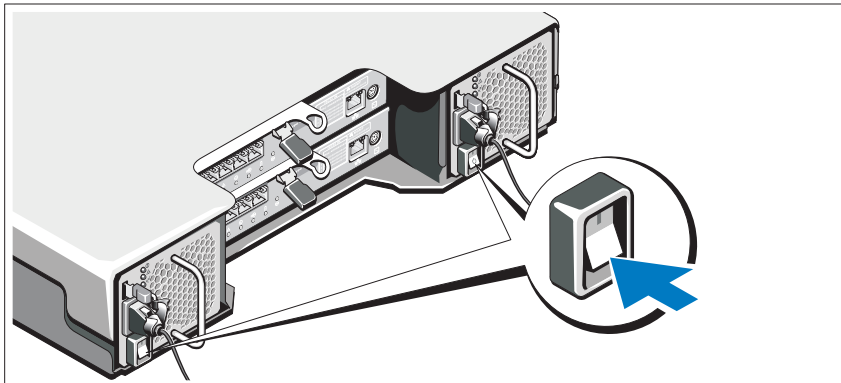
Pomocí řemínku pevně připevněte kabely k držáku.

Poté zasuňte druhé konce napájecích kabelů do uzemněné elektrické zásuvky nebo je připojte k samostatnému zdroji napájení, například ke zdroji nepřerušitelného napájení (UPS) nebo k jednotce rozvaděče (PDU). Každý zdroj energie musí být připojen k vlastnímu hlavnímu obvodu.



## Připojení rozšiřující skříně



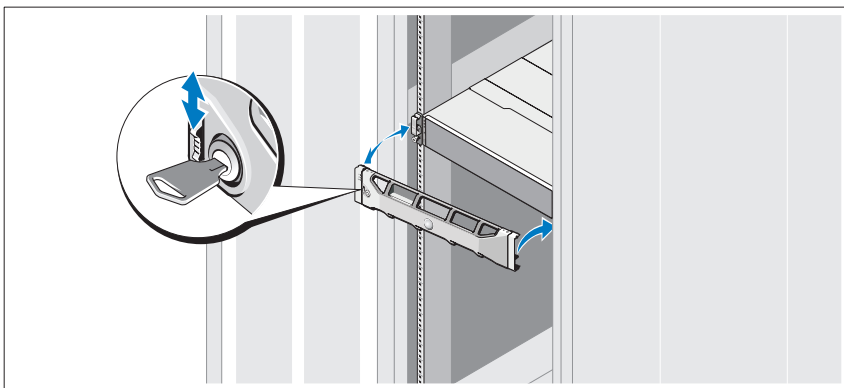
## Zapnutí rozšiřující skříně



Zapněte komponenty v následujícím pořadí


- 1 Ethernetové přepínače (pokud se používají).
- 2 Rozšiřující skříň série PowerVault MD1200 (pokud se používají).  
 **POZNÁMKA:** Než zapnete diskové pole, ujistěte se, že LED na rozšiřující skříni svítí modře.
- 3 Disková pole série PowerVault MD3200i.  
 **POZNÁMKA:** Než zapnete hostitelské servery, ujistěte se, že LED na diskovém poli svítí modře.
- 4 Hostitelské servery.

## Instalace čelního krytu



Nainstalujte čelní kryt (volitelný).

## Instalace softwaru pro úložiště MD Storage

-  **POZNÁMKA:** Podrobné pokyny k instalaci softwaru pro úložiště MD Storage, nastavení skříně a úkolům, které je třeba vykonat po instalaci, viz *Instalační příručka*.

Aplikace MD Storage Manager slouží ke konfiguraci, správě a sledování diskového pole. Nástroj MDCU (MD Configuration Utility) je volitelný nástroj, který poskytuje jednotný přístup ke konfiguraci řídicích portů, hostitelských portů iSCSI a k vytváření relací modulárních diskových polí iSCSI. Doporučujeme, abyste nástroj MDCU používali ke konfiguraci iSCSI na každém hostitelském serveru, který je k diskovému poli připojen. Chcete-li nainstalovat software pro úložiště MD Storage:

**1** Vložte zdrojové médium série MD.

V závislosti na vašem operačním systému se může automaticky spustit instalační program. Pokud se instalační program automaticky nespustí, přejděte do kořenového adresáře instalačního média (nebo staženého obrazu instalačního programu) a spusťte soubor **md\_launcher.exe**. U systémů Linux přejděte do kořenového adresáře zdrojového média a spusťte soubor **autorun**.



**POZNÁMKA:** Operační systém Red Hat Enterprise Linux standardně připojuje zdrojové médium za použití možnosti `–noexec`, která neumožňuje spouštět spustitelné soubory. Chcete-li toto nastavení změnit, nahlédněte do souboru **Readme** v kořenovém adresáři instalačního média.

**2** Zvolte možnost **Install MD Storage Software** (Instalovat software pro úložiště MD).


**3** Přečtěte si licenční smlouvu a přijměte ji.

**4** V nabídce **Install Set** (Instalační balík) vyberte jednu z následujících možností instalace:

- **Full (Kompletní - doporučené)** - umožňuje instalaci programu MD Storage Manager (klient), hostitelského agenta, ovladače vícecestných disků a poskytovatele hardwaru.
- **Host Only (Lokální)** - umožňuje instalaci hostitelského agenta a ovladače vícecestných disků.
- **Management (Správa)** - umožňuje instalaci softwaru pro správu a poskytovatele hardwaru.
- **Custom (Vlastní)** - umožňuje vybrat konkrétní komponenty.

**5** Vyberte modely diskových polí MD, které mají sloužit jako datová úložiště tohoto hostitelského serveru.

**6** Vyberte, zda se má po restartu hostitelského serveru spustit služba sledování událostí automaticky nebo manuálně.

 **POZNÁMKA:** Tato možnost je platná pouze pro instalace klientského softwaru systému Windows.

- 7 Potvrďte umístění instalace a klepněte na **Install** (Instalace).
- 8 Jakmile o to budete po dokončení instalace požádáni, restartujte hostitelský server.
- 9 Po dokončení restartu může dojít k automatickému spuštění MDCU. Pokud se MDCU automaticky nespustí, spusťte jej manuálně.
  - V operačním systému Windows klepněte na **Start** → **Dell** → **Modular Disk Configuration Utility** (Start → Dell → Nástroj konfigurace modulárních disků).
  - V operačním systému Linux poklepejte na ikonu **Modular Disk Configuration Utility** (Nástroj konfigurace modulárních disků) na ploše.

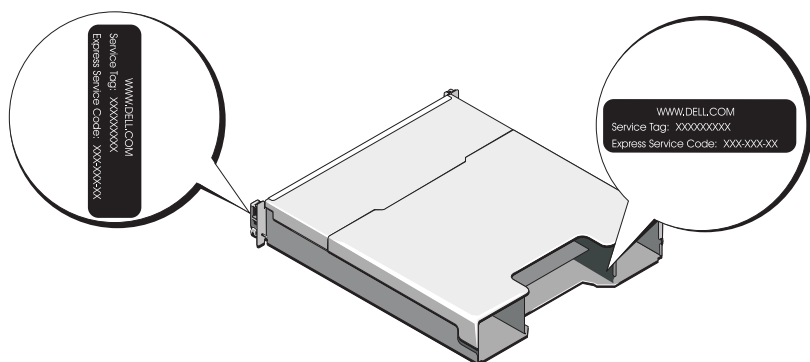
 **POZNÁMKA:** Pokud není nástroj MDCU nainstalován, nahlédněte do *Instalační příručky* na adrese [support.dell.com/manuals](http://support.dell.com/manuals).

- 10 Spusťte správce **MD Storage Manager** a vyhledejte disková pole.
- 11 Pokud je třeba, aktivujte veškeré dodatečné funkce zakoupené s diskovým polem. Pokud jste si zakoupili dodatečné funkce, použijte tištěnou aktivační kartu dodanou s diskovým polem.

 **POZNÁMKA:** Instalátor programu **MD Storage Manager** automaticky nainstaluje ovladače, firmware a opravy/hotfixy operačního systému potřebné pro práci s diskovým polem. Tyto ovladače a firmware lze též získat na adrese [support.dell.com](http://support.dell.com). Další informace o nastavení anebo softwaru potřebném pro konkrétní diskové pole naleznete v *matici odborné pomoci* na adrese [support.dell.com/manuals](http://support.dell.com/manuals).

## Vyhledání servisního označení

Váš systém je identifikován jedinečným kódem expresní služby a číslem servisního označení. Kód expresní služby a servisní označení lze nalézt na přední straně systému a na zadní straně systému vedle modulů řadičů RAID. Tyto informace používá společnost Dell k nasměrování žádosti o odbornou pomoc příslušným zaměstnancům.



## Informace NOM (jen pro Mexiko)

K zařízením popsanému v tomto dokumentu se vztahují v souladu s požadavky oficiální mexické normy NOM následující informace:

Dovozce:	Dell Inc. de México, S.A. de C.V. Paseo de la Reforma 2620 - 11° Piso Col. Lomas Altas 11950 México, D.F.
Číslo modelu:	E03J a E04J
Napájecí napětí:	100–240 V stř.
Frekvence:	50/60 Hz
Spotřeba proudu:	8,6 A

# Technické specifikace

---

## Jednotky

---

PowerVault MD3200i	Až dvanáct 3,5palcových pevných disků SAS, které lze vyměňovat za chodu (3,0 Gb/s a 6,0 Gb/s)
PowerVault MD3220i	Až dvacet čtyři 2,5palcových pevných disků SAS, které lze vyměňovat za chodu (3,0 Gb/s a 6,0 Gb/s)

---

## Moduly řadičů RAID

---

Moduly řadičů RAID	<ul style="list-style-type: none"><li>• Jeden nebo dva moduly s tepelnými čidly, které lze vyměňovat za chodu</li><li>• 2 GB vyrovnávací paměti na řadič</li></ul>
--------------------	--

---

## Konektory na zadním panelu (na jeden modul řadiče RAID)

---

Konektory iSCSI	Čtyři konektory 1 GB iSCSI IN k připojení hostitelských systémů
Rozšiřující konektor SAS	Jeden výstupní port SAS OUT k rozšíření o další skříně PowerVault MD1200. <b>POZNÁMKA:</b> Konektory SAS vyhovují SFF-8088.
Konektor sériového rozhraní	Jeden 6kolíkový konektor mini-DIN <b>POZNÁMKA:</b> Pouze pro zaměstnance odborné pomoci.
Konektor Ethernetu pro řízení	Jeden port pro Ethernet typu 100/1000 Base-T pro vzdálenou správu skříně <b>POZNÁMKA:</b> Výchozí IP adresy řídicích portů primárního a sekundárního modulu řadiče RAID jsou 192.168.128.101 a 192.168.128.102. Řídicí porty jsou standardně nastaveny na práci s protokolem DHCP. Pokud řadič není schopen získat od serveru DHCP konfiguraci IP adresy ve stanoveném časovém limitu (přibližně 3 minuty), standardně se přepne na používání statické IP adresy. Další informace získáte v <i>Instalační příručce</i> .

---

## Rozšíření

---

Série PowerVault MD1200	<p>Podporuje maximálně 192 pevných disků s jakoukoli kombinací rozšiřujících skříní PowerVault MD1200 či PowerVault MD1220. Podpora 192 pevných disků je dodatečná funkce a vyžaduje aktivaci. Maximální počet podporovaných pevných disků bez použití této dodatečné funkce je 120.</p> <p>Redundantní konektivita cest poskytuje redundantní datové cesty pro každý pevný disk.</p>
-------------------------	---

---

## Zadní deska

---

Konektory	<ul style="list-style-type: none"><li>• 12 nebo 24 konektorů pro pevné disky SAS</li><li>• Dva konektory pro napájecí zdroje/moduly s chladičnými ventilátory</li><li>• Dvě sady konektorů pro moduly řadičů RAID</li><li>• Jeden konektor ovládacího panelu pro čelní indikátory LED a přepínač svazkových režimů</li></ul>
Senzory	Dva senzory teploty

---

## Indikátory LED

---

Čelní panel	<ul style="list-style-type: none"><li>• Jeden dvoubarevný indikátor LED pro stav systému</li><li>• Dva jednobarevné indikátory LED pro napájení a režim pro použití ve skříní</li></ul> <p><b>POZNÁMKA:</b> Indikátor LED režimu ve skříní se na diskových polích série PowerVault MD3200i nenachází.</p>
Nosič pevných disků	<ul style="list-style-type: none"><li>• Jeden jednobarevný indikátor LED pro aktivitu</li><li>• Jeden dvoubarevný indikátor LED pro stav každého disku</li></ul>
Napájecí zdroj/chladič ventilátor	Tři indikátory LED pro stav napájecího zdroje, selhání napájecího zdroje nebo ventilátoru a stav napájení střídavým proudem



---

## Indikátory LED (pokračování)

---

Modul řadiče RAID

Deset jednobarevných indikátorů LED:

- Jeden pro závalu baterie
- Jeden pro aktivní vyrovnávací paměť
- Jeden pro závalu řadiče
- Jeden pro napájení řadiče
- Jeden pro identifikaci systému
- Jeden pro aktivitu Ethernetu pro řízení
- Čtyři pro aktivitu portů iSCSI IN

Šest dvoubarevných indikátorů LED:

- Čtyři pro rychlost připojení iSCSI IN
- Jeden pro připojení nebo závady SAS OUT
- Jeden pro rychlost připojení Ethernetu pro řízení

---

## Přepínač

---

Tlačítko pro identifikaci systému

Umístěno na předním řídicím panelu. Toto tlačítko slouží k nalezení systému uvnitř stojanu.

Přepínač režimu pro použití ve skříní

Umístěný na přední straně systému. Tento přepínač se v diskovém poli PowerVault MD3200i nenachází.

Tlačítko pro vymazání hesla

Umístěno na zadní straně modulu řadiče RAID. Toto tlačítko se používá k resetování hesla diskových polí.

---

## Dodávky energie

---

Střídavý proud (na jeden napájecí zdroj)

Výkon

600 W

Napětí

100 – 240 V stř. (8,6 A – 4,3 A)

Odvod tepla

100 W

Maximální nárazový proud

V typických podmínkách napájení a v celém provozním rozsahu systému může nárazový proud dosáhnout 55 A na jeden napájecí zdroj po dobu 10 ms nebo méně.

---

**Dostupné napájení pevných disků (na zdířku)**

---

PowerVault MD3200i	25 W
PowerVault MD3220i	12 W

---

**Napájení modulu řadiče RAID (na zdířku)**

---

Maximální spotřeba energie	100 W
----------------------------	-------

---

**Rozměry**

---

**PowerVault MD3200i**

Výška	8,68 cm (3,41 palců)
Šířka	44,63 cm (17,57 palců)
Hloubka	60,20 cm (23,70 palců)
Hmotnost (maximální konfigurace)	29,30 kg (64,6 lb)
Hmotnost (prázdné)	8,84 kg (19,5 lb)

**PowerVault MD3220i**

Výška	8,68 cm (3,41 palců)
Šířka	44,63 cm (17,57 palců)
Hloubka	54,90 cm (21,61 palců)
Hmotnost (maximální konfigurace)	24,22 kg (53,4 lb)
Hmotnost (prázdné)	8,61 kg (19 lb)

---

**Prostředí**

---

**POZNÁMKA:** Další informace o měřených údajích prostředí najdete pro jednotlivé systémové konfigurace na adrese [www.dell.com/environmental\\_datasheets](http://www.dell.com/environmental_datasheets).

**Teplota**

Provozní	10 až 35 °C s maximálním nárůstem teploty o 10 °C za hodinu
----------	---

**POZNÁMKA:** V nadmořských výškách nad 900 metrů je maximální provozní teplota snížena o 1 °C na každých 300 metrů.

---

**Prostředí (pokračování)**

---

Skladovací	-40 až 65 °C s maximálním nárůstem teploty o 20 °C za hodinu
Relativní vlhkost	
Provozní	20 až 80 % (bez kondenzace) s maximálním nárůstem vlhkosti o 10 % za hodinu
Skladovací	5 až 95 % (bez kondenzace)
Maximální vibrace	
Provozní	0,25 G při 3–200 Hz po dobu 15 minut
Skladovací	0,5 G při 3–200 Hz po dobu 15 minut
Maximální ráz	
Provozní	Jeden rázový impuls v kladné ose z (jeden impuls na každé straně systému) o síle 31 G v délce do 2,6 ms v provozní orientaci
Skladovací	Šest po sobě jdoucích rázových impulsů v kladné i záporné ose x, y a z (jeden impuls na každé straně systému) o síle 71 G v délce do 2 ms
Nadmořská výška	
Provozní	-16 až 3 048 m <b>POZNÁMKA:</b> V nadmořských výškách nad 900 metrů je maximální provozní teplota snížena o 1 °C na každých 300 metrů.
Skladovací	-16 až 10 600 m
Úroveň znečištění vzduchu	
Třída	G1 dle normy ISA-S71.04-1985



Matrices de stockage  
Dell PowerVault MD3200i  
et MD3220i

# Guide de mise en route

Séries E03J et E04J de modèle réglementaire



# Remarques, précautions et avertissements



**REMARQUE** : une REMARQUE indique des informations importantes qui peuvent vous aider à mieux utiliser votre ordinateur.



**PRÉCAUTION** : une PRÉCAUTION vous avertit d'un risque d'endommagement du matériel ou de perte de données en cas de non-respect des instructions.



**AVERTISSEMENT** : un AVERTISSEMENT indique un risque d'endommagement du matériel, de blessure corporelle ou de mort.

---

**Les informations que contient ce document sont sujettes à modification sans préavis.**

© 2011 Dell Inc. Tous droits réservés.

La reproduction de ce document, de quelque manière que ce soit, sans l'autorisation écrite de Dell Inc. est strictement interdite.

Marques utilisées dans ce document : Dell™, le logo DELL et PowerVault™ sont des marques de Dell Inc. Microsoft® et Windows Server® sont des marques ou des marques déposées de Microsoft Corporation aux États-Unis et/ou dans d'autres pays. Red Hat® et Red Hat Enterprise Linux® sont des marques déposées de Red Hat, Inc. aux États-Unis et dans d'autres pays. SUSE® est une marque déposée de Novell, Inc. aux États-Unis et dans d'autres pays. VMware® est une marque déposée de VMware, Inc. aux États-Unis et/ou dans d'autres juridictions.

D'autres marques et noms commerciaux peuvent être utilisés dans ce document pour faire référence aux entités revendiquant la propriété de ces marques ou de ces noms de produits. Dell Inc. rejette tout intérêt exclusif dans les marques et les noms commerciaux autres que les siens.

Séries E03J et E04J de modèle réglementaire

2011 - 08 N/P J26CK Rév. A02

## Avant de commencer



**REMARQUE :** Dans ce document, les références à la matrice de stockage Dell PowerVault série MD3200i concernent les matrices de stockage Dell PowerVault MD3200i et Dell PowerVault MD3220i. Le boîtier d'extension Dell PowerVault MD1200 désigne les boîtiers Dell PowerVault MD1200 et Dell PowerVault MD1220.

Avant d'installer votre matrice de stockage Dell PowerVault série MD3200i, vous devez considérer certaines des meilleures pratiques pour assurer le fonctionnement le plus efficace possible de votre matrice de stockage et une redondance complète (si nécessaire).

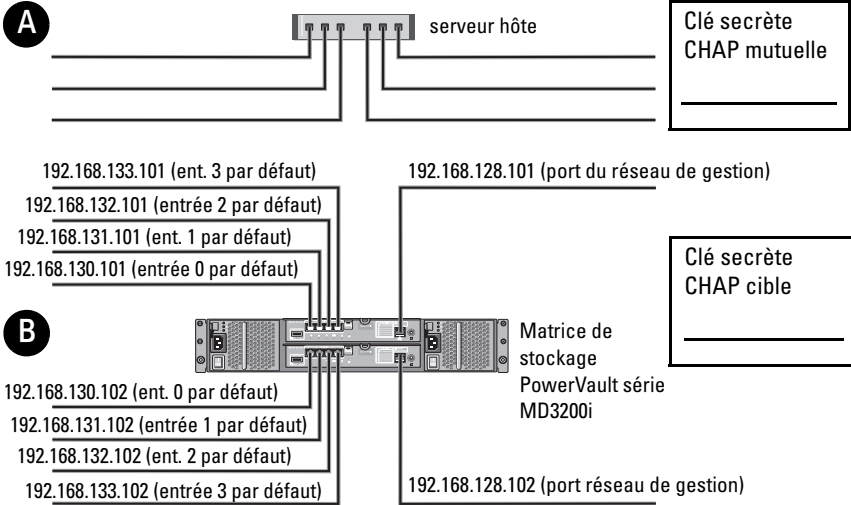
- Il vous est recommandé d'utiliser un IP SAN dédié pour la transmission des données iSCSI. La gestion de trafic peut être isolée sur un réseau de gestion distinct.
- Renseignez la liste de vérification de la configuration de l'interface iSCSI avant de configurer iSCSI. Voir « Compléter la liste de vérification de l'interface iSCSI. », à la page 46. Cette liste permet de regrouper les informations de réseaux physiques en un seul endroit.
- Esquissez la configuration après avoir complété la liste de vérification iSCSI et avant de définir la solution.
- Configurez toujours des chemins d'accès aux données redondants de manière à fournir différents chemins d'accès allant au serveur hôte et en sortant, dans l'éventualité d'une défaillance de l'un d'eux.
- Si plusieurs cartes réseau sont installées sur un hôte, il vous est recommandé d'utiliser plusieurs sous-réseaux pour la gestion et les liaisons de données iSCSI.
- Utilisez toujours un câble Ethernet de catégorie 5e (ou plus) à travers le réseau.
- Avant de connecter tout câble entre le serveur hôte et la matrice de stockage, étiquetez physiquement chaque port et chaque connecteur.
- Suivez toujours les procédures de mise sous et hors tension lors des cycles d'alimentation du réseau. Vous devez également vous assurer que les composants essentiels du réseau se trouvent sur différents circuits d'alimentation.



**REMARQUE :** les illustrations qui figurent dans ce document montrent aussi le câblage d'une seule matrice de stockage PowerVault série MD3200i dans un environnement de réseau SAN. Elles ne montrent également que les adresses IP par défaut de la matrice de stockage PowerVault série MD3200i. Pour câbler plus d'une matrice de stockage PowerVault série MD3200i dans un environnement de réseau SAN, voir le *Guide de déploiement*.

# Compléter la liste de vérification de l'interface iSCSI.

## Paramètres IPv4



*Au besoin, utilisez une feuille supplémentaire (si vous disposez de plusieurs serveurs hôtes, par exemple).*

<b>A</b> Adresse IP statique (serveur hôte)	Masque de sous-réseau	Passerelle par défaut
Port iSCSI 1	_____	_____
Port iSCSI 2	_____	_____
Port iSCSI 3	_____	_____
Port iSCSI 4	_____	_____
Port de gestion	_____	_____


**REMARQUE :** le serveur hôte peut prendre en charge jusqu'à quatre cartes réseau




<b>B</b> Adresse IP statique (m. de stockage)	Masque de sous-réseau	Passerelle par défaut
Contrôleur iSCSI 0, Ent. 0	_____	_____
Contrôleur iSCSI 0, Ent. 1	_____	_____
Contrôleur iSCSI 0, Ent. 2	_____	_____
Contrôleur iSCSI 0, Ent. 3	_____	_____
Port de gestion cntrl 0	_____	_____
Contrôleur iSCSI 1, Ent. 0	_____	_____
Contrôleur iSCSI 1, Ent. 1	_____	_____
Contrôleur iSCSI 1, Ent. 2	_____	_____
Contrôleur iSCSI 1, Ent. 3	_____	_____
Port de gestion cntrl 1	_____	_____

 **REMARQUE** : pour plus d'informations sur la liste de vérification IPv6, voir le *Guide de déploiement*.

## Autre documentation et support dont vous pourriez avoir besoin

 **AVERTISSEMENT** : reportez-vous aux informations sur la sécurité et les réglementations qui accompagnent votre système. Les informations sur la garantie se trouvent dans ce document ou dans un document distinct.

 **REMARQUE** : tous les documents PowerVault série MD3200i sont disponibles sur le site [support.dell.com/manuals](http://support.dell.com/manuals).

- La documentation fournie avec le rack indique comment installer le système dans un rack.
- Le *Manuel du propriétaire du matériel* contient des informations sur les caractéristiques du système, ainsi que des instructions relatives au dépannage et à l'installation ou au remplacement de composants.
- Le *Guide de déploiement* fournit des informations sur l'installation et la configuration du logiciel et du matériel.
- Le *Guide CLI* fournit des informations sur l'utilisation de l'interface de ligne de commande (CLI) pour configurer et gérer votre matrice de stockage.

- *Le Guide de programmation SMI-S* fournit des informations sur l'utilisation du fournisseur MI-S et la programmation SMI-S.
- Tous les supports fournis avec le système contiennent de la documentation et des outils de configuration et de gestion du système, notamment du système d'exploitation même et du logiciel de gestion du système ; les supports contiennent également des mises à jour et les composants système que vous avez achetés avec le système.



**REMARQUE** : vérifiez toujours si des mises à jour sont disponibles sur le site [support.dell.com/manuals](http://support.dell.com/manuals) et lisez-les en premier, car elles remplacent souvent les informations que contiennent les autres documents.

## Préparation du serveur hôte

### Systèmes d'exploitation pris en charge

- Microsoft Windows Server
- Red Hat Enterprise Linux
- SUSE Linux Enterprise Server
- VMware



**REMARQUE** : pour les informations les plus récentes sur toutes les versions de système d'exploitation prises en charge, reportez-vous à la *Matrice de support* sur [support.dell.com/manuals](http://support.dell.com/manuals).

### Cartes réseau supplémentaires pour l'interface iSCSI

Lors de l'installation de cartes réseau supplémentaires, il vous est recommandé de :

- Utiliser des réseaux de stockage redondants dédiés pour le trafic iSCSI. Isoler le trafic iSCSI du trafic de réseau général à l'aide du réseau local virtuel (VLAN) si un réseau dédié n'est pas disponible.
- Utiliser des cartes réseau dédiées supplémentaires pour le trafic iSCSI.
- Les cartes réseau doivent être ajoutées en paires (jusqu'à quatre cartes réseau).



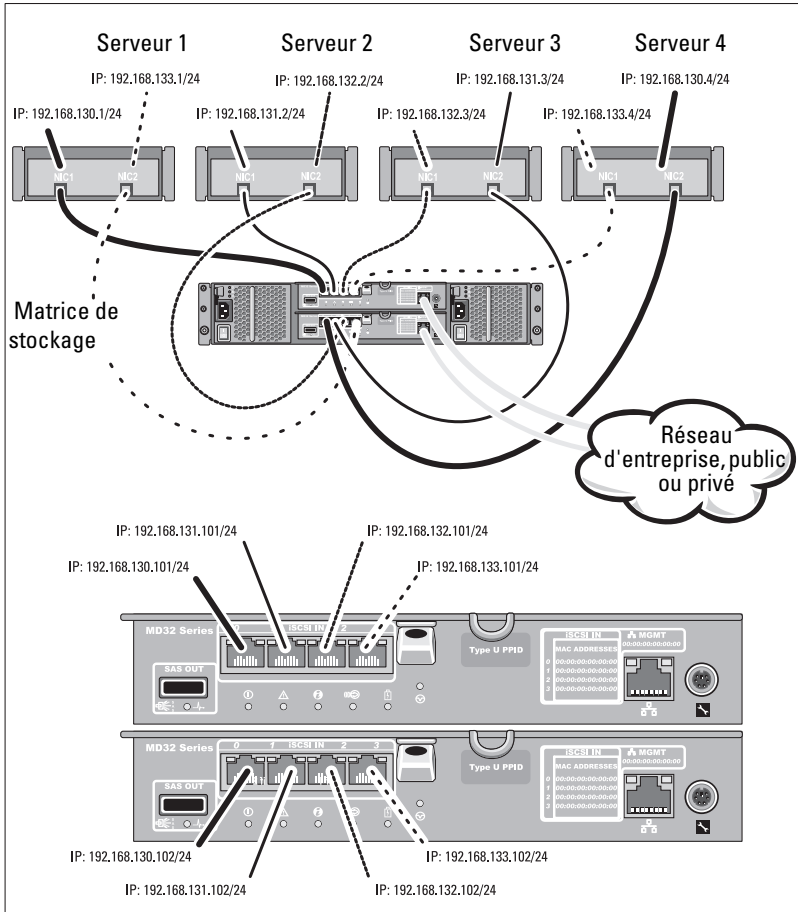
**REMARQUE** : une carte réseau seule est également prise en charge.

### Configuration de carte réseau

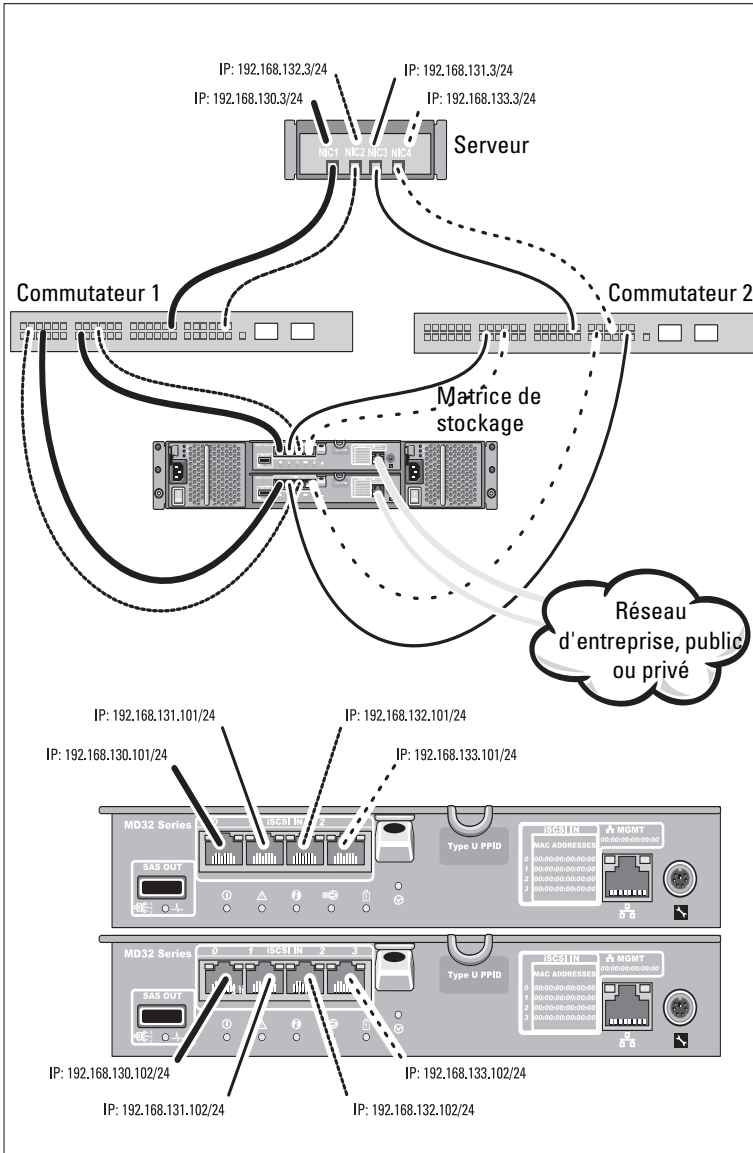
Dans un environnement de réseau SAN, selon le nombre de commutateurs, il vous est recommandé d'utiliser deux ou quatre sous-réseaux uniques pour le trafic iSCSI. Dans les environnements de stockage reliés directement, chaque carte réseau en connexion directe avec la matrice de stockage série MD3200i doit se trouver sur un sous-réseau différent.

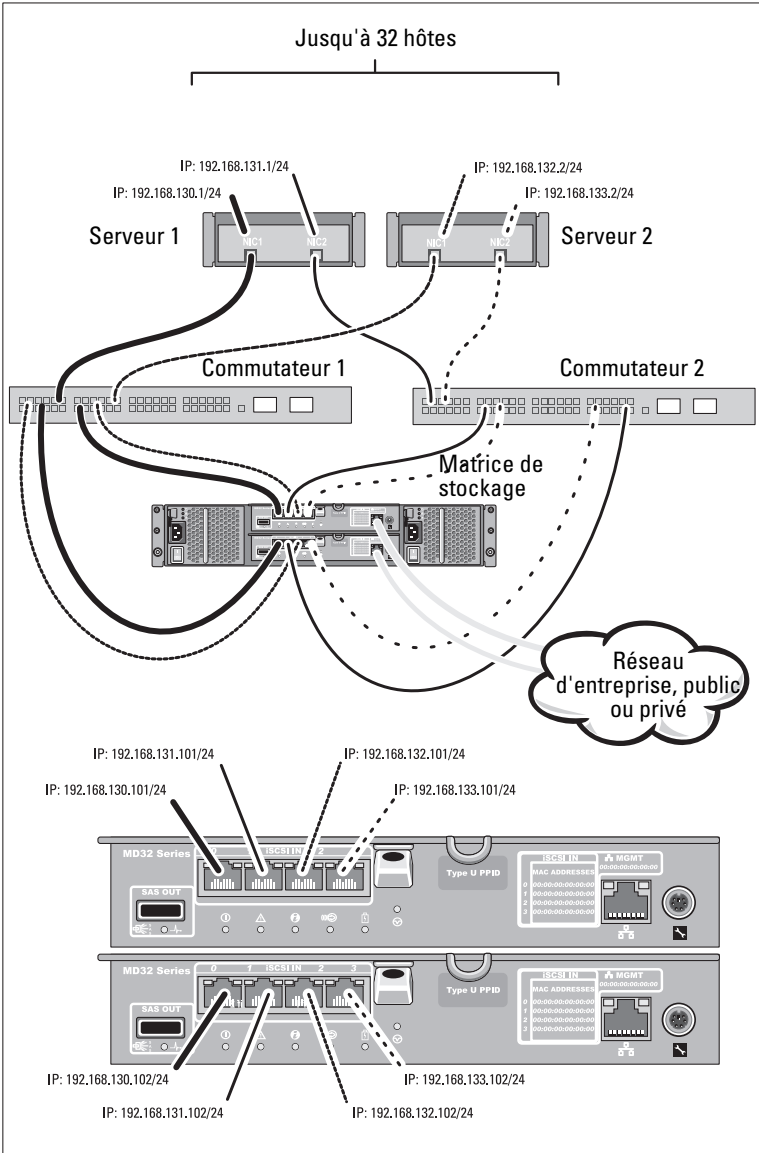
# Configurations courantes

## Câblage des hôtes reliés directement



## Câblage des hôtes reliés au réseau SAN





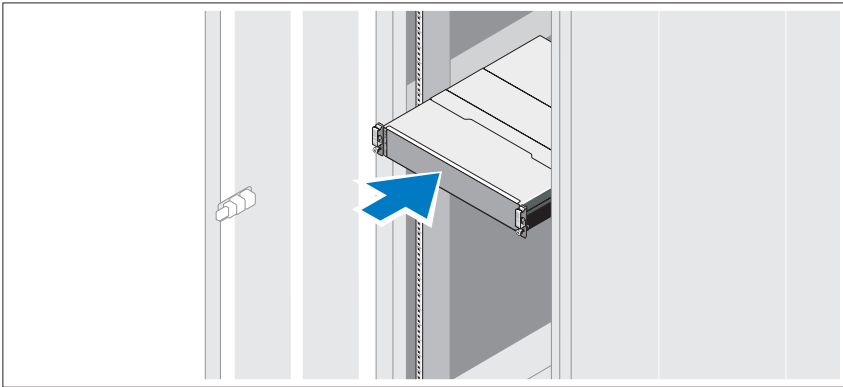
# Installation et configuration

 **AVERTISSEMENT :** avant d'exécuter la procédure ci-dessous, lisez les consignes de sécurité fournies avec le système.


## Déballage du système

Déballer votre système et identifier chaque élément en consultant la liste de composants livrée avec votre système.

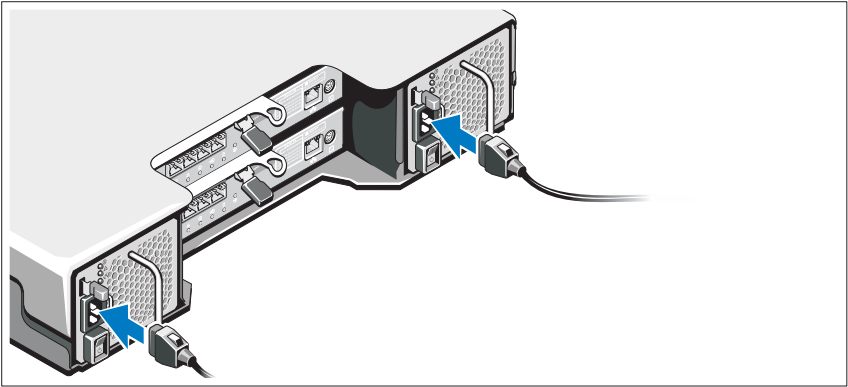
## Installation des rails et du système dans un rack



Assemblez les rails et installez le système dans le rack en suivant les consignes de sécurité et les instructions d'installation du rack fournies avec votre système.

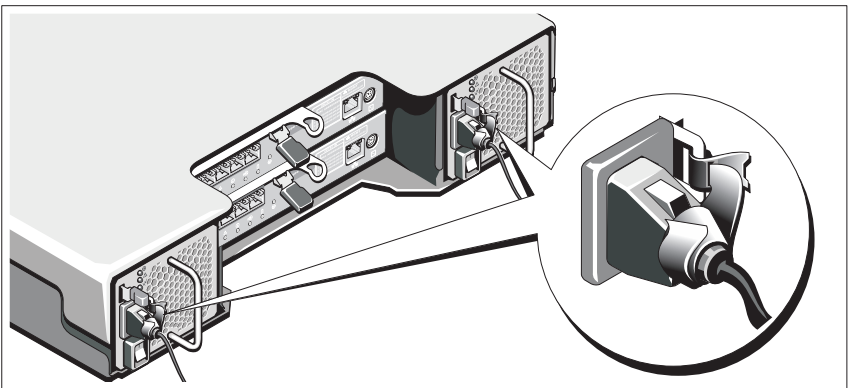
 **REMARQUE :** pour équilibrer la charge, nous vous recommandons d'installer la matrice de stockage PowerVault série MD3200i en bas du rack et les boîtiers d'extension PowerVault série MD1200 au-dessus.

## Branchement du ou des câbles d'alimentation



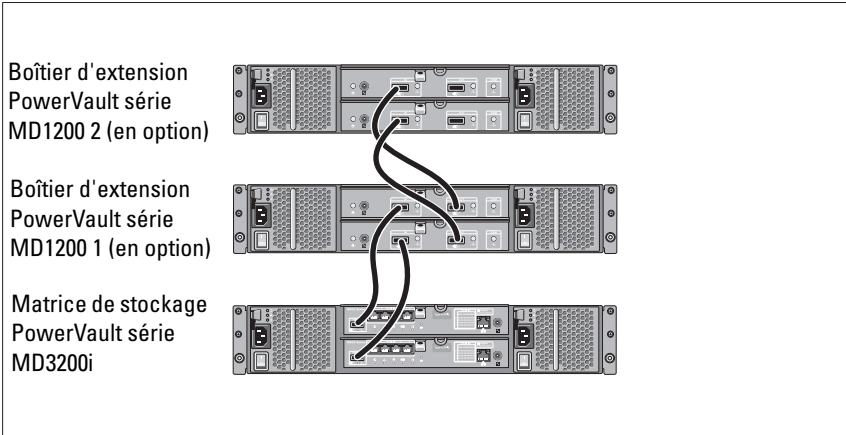
Avant de connecter les câbles d'alimentation, assurez-vous que le commutateur d'alimentation est en position OFF (ÉTEINT). Branchez le ou les câbles d'alimentation sur le système.

## Fixation du ou des câbles d'alimentation

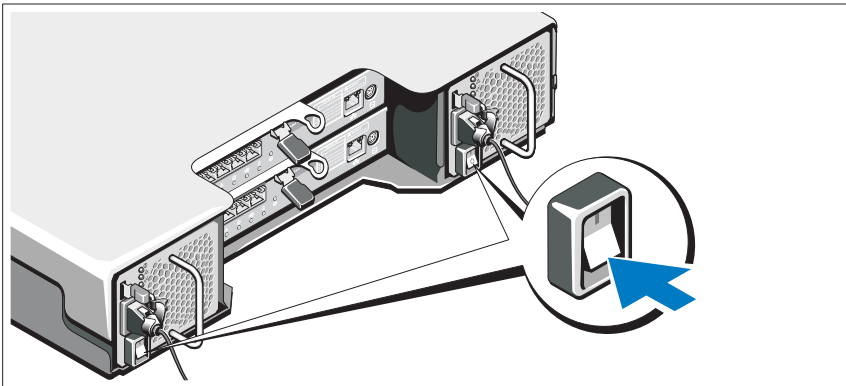


Fixez fermement les câbles au support de fixation à l'aide de la lanière fournie. Branchez ensuite l'autre extrémité des câbles d'alimentation sur une prise de courant mise à la masse ou sur une source d'alimentation autonome (onduleur [UPS] ou unité de distribution de l'alimentation [PDU]...). Chaque bloc d'alimentation doit être connecté à un circuit d'alimentation différent.

## Câblage de votre boîtier d'extension



## Mise sous tension du boîtier

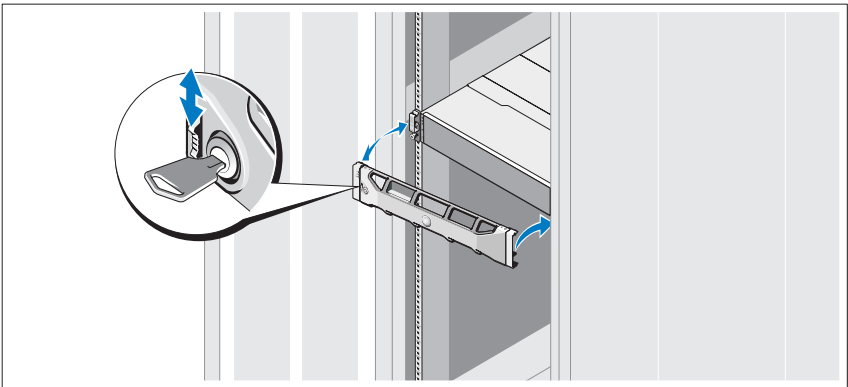




Mettez les composants sous tension dans l'ordre suivant

- 1 Commutateurs Ethernet (si utilisés).
- 2 Boîtiers d'extension PowerVault série MD1200 (si utilisés).
  - ✎ **REMARQUE** : avant d'allumer la matrice de stockage, assurez-vous que le voyant d'état du boîtier d'extension est bleu.
- 3 Matrice de stockage PowerVault série MD3200i.
  - ✎ **REMARQUE** : avant d'allumer le(s) serveur(s) hôte, assurez-vous que le voyant d'état de la matrice de stockage est bleu.
- 4 Serveur(s) hôte.

## Installation du cadre



Installez le cadre (en option).

## Installation du logiciel MD Storage

- ✎ **REMARQUE** : pour des instructions détaillées concernant l'installation du logiciel de stockage MD, la configuration du boîtier et les tâches après installation, voir le *Guide de déploiement*.

L'application MD Storage Manager configure, gère, et contrôle la matrice de stockage. L'utilitaire de configuration MD (MDCU) est un utilitaire optionnel qui permet une approche consolidée de la configuration des ports de gestion, des ports hôtes iSCSI et de la création de sessions pour les matrices de stockage sur disques modulaires iSCSI. Il vous est recommandé d'utiliser l'utilitaire MDCU pour configurer iSCSI sur chaque hôte connecté à la matrice de stockage. Pour installer le logiciel MD Storage Manager :

**1** Insérez le support Ressource série MD.

En fonction de votre système d'exploitation, l'installateur se lancera peut-être automatiquement. Si l'installateur ne se lance pas automatiquement, naviguez dans le répertoire racine du support d'installation (ou téléchargez l'image d'installateur) et exécutez le fichier **md\_launcher.exe**. Pour les systèmes exécutant Linux, naviguez vers la racine du support Ressource et exécutez le fichier **autorun** (Exécution auto).



**REMARQUE** : par défaut, le système d'exploitation Red Hat Enterprise Linux (RHEL) monte le support Ressource à l'aide de l'option de montage **-noexec mount**, qui ne vous permet pas d'exécuter les fichiers exécutables. Pour modifier ce paramètre, consultez le fichier **Lisez-moi** dans le répertoire racine du support d'installation.

**2** Sélectionnez **Install MD Storage Software** (Installer le logiciel de stockage MD).

**3** Lisez le contrat de licence et acceptez-le.

**4** Sélectionnez l'une des options d'installation suivantes dans le menu déroulant **Install Set** (Configuration d'installation) :

- **Full (recommended)** (Complète - recommandée) : installe le logiciel (client) MD Storage Manager, l'agent de stockage hôte, le pilote multivoies, et les fournisseurs de matériel.
- **Host Only** (Hôte uniquement) : installe l'agent de stockage hôte et les pilotes multivoies.
- **Management** (Gestion) : installe le logiciel de gestion et les fournisseurs de matériel.
- **Custom** (Personnalisée) : permet de sélectionner des composants spécifiques.

**5** Sélectionnez le(s) modèle(s) de matrice de stockage MD que vous souhaitez définir comme stockage de données pour ce serveur hôte.

**6** Choisissez de démarrer le service de moniteur des événements automatiquement lors du redémarrage du serveur hôte ou manuellement



**REMARQUE** : cette option ne s'applique qu'à l'installation du logiciel client Windows.

- 7 Confirmez l'emplacement de l'installation et cliquez sur **Install** (Installer).
- 8 À l'invitation (le cas échéant), redémarrez le serveur hôte après la fin de l'installation.
- 9 Lorsque le redémarrage est terminé, l'utilitaire MDCU peut se lancer automatiquement. S'il ne se lance pas automatiquement, lancez-le manuellement.
  - Dans un système d'exploitation Windows, cliquez sur **Démarrer**→ **Dell**→ **Modular Disk Configuration Utility** (Utilitaire de configuration de disques modulaires).
  - Dans un système d'exploitation Linux, double-cliquez sur l'icône **Modular Disk Configuration Utility** (Utilitaire de configuration de disques modulaires) sur le bureau.



**REMARQUE** : si l'utilitaire MDCU n'est pas installé, voir le *Guide de déploiement* à l'adresse [support.dell.com/manuals](http://support.dell.com/manuals).

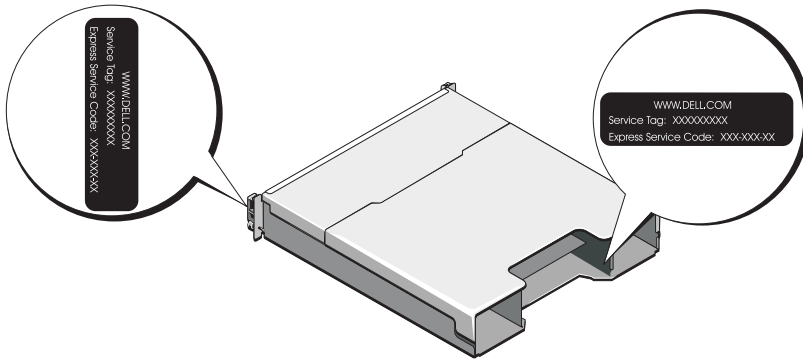
- 10 Démarrez **MD Storage Manager** et lancez la détection des matrices.
- 11 Le cas échéant, activez les fonctions premium achetées avec votre matrice de stockage. Si vous avez acheté des fonctions premium, consultez la carte d'activation livrée avec votre matrice de stockage.



**REMARQUE** : l'installateur **MD Storage Manager** installe automatiquement les pilotes, micrologiciel, et correctifs de système d'exploitation nécessaires au fonctionnement de votre matrice de stockage. Ces pilotes et micrologiciels sont également disponibles à l'adresse [support.dell.com](http://support.dell.com). Consultez également la *Matrice de prise en charge* à l'adresse [support.dell.com/manuals](http://support.dell.com/manuals) pour connaître les paramètres et/ou logiciels supplémentaires requis pour votre matrice de stockage particulière.

## Identification du numéro de service

Votre système est identifié par un code de service express et un numéro de service uniques. Le code de service express et le numéro de service se trouvent sur le devant et l'arrière du système à côté des modules de contrôleur RAID. Dell utilise ces informations pour acheminer les appels de support au technicien qui convient.



## Informations NOM (Mexique uniquement)

Les informations suivantes sur l'appareil décrit dans ce document sont fournies conformément aux exigences de la Norme Officielle Mexicaine (NOM) :

Importateur :	Dell Inc. de México, S.A. de C.V. Paseo de la Reforma 2620 - 11° Piso Col. Lomas Altas 11950 México, D.F.
Numéro de modèle :	E03J et E04J
Tension d'alimentation :	100 à 240 V CA
Fréquence :	50/60 Hz
Consommation électrique :	8,6 A

# Caractéristiques techniques

---

## Lecteurs

---

PowerVault MD3200i	Jusqu'à 12 disques durs SAS remplaçables à chaud 3,5 pouces (3,0 Gb/s et 6,0 Gb/s)
PowerVault MD3220i	Jusqu'à 24 disques durs SAS remplaçables à chaud 2,5 pouces (3,0 Gb/s et 6,0 Gb/s)

---

## Modules de contrôleur RAID

---

Modules de contrôleur RAID	<ul style="list-style-type: none"><li>• Un ou deux modules remplaçables à chaud avec capteurs de température.</li><li>• 2 Go de mémoire cache par contrôleur</li></ul>
----------------------------	--

---

## Connecteurs du panneau arrière (par module de contrôleur RAID)

---

Connecteurs iSCSI	Quatre connecteurs d'entrée iSCSI de 1 Go pour connecter les hôtes
Connecteur d'extension SAS	Un port de sortie SAS pour l'extension à un boîtier PowerVault série MD1200 supplémentaire. <b>REMARQUE :</b> les connecteurs SAS sont conformes SFF-8088
Connecteur série	Un connecteur mini-DIN à 6 broches <b>REMARQUE :</b> cette option est réservée au personnel de maintenance.
Connecteur Ethernet de gestion	Un port Ethernet 100/1000 Base-T pour une gestion hors bande du boîtier <b>REMARQUE :</b> les adresses IP de port de gestion par défaut des modules de contrôleur RAID primaire et secondaire sont respectivement 192.168.128.101 et 192.168.128.102. Par défaut, les ports de gestion sont définis sur le protocole DHCP (Dynamic Host Configuration). Si le contrôleur ne parvient pas à obtenir une configuration d'adresse IP d'un serveur DHCP au cours d'une période de temps donnée (environ 3 minutes), par défaut il utilise l'adressage IP statique. Pour plus d'informations, voir le <i>Guide de déploiement</i> .

---

## Extension

---

PowerVault Série MD1200

Prend en charge jusqu'à 192 disques durs avec n'importe quelle combinaison de boîtiers d'extension PowerVault MD1200 ou PowerVault MD1220. La prise en charge de 192 disques durs est une fonction premium et doit être activée. Le nombre maximum de disques durs pris en charge sans utiliser la fonction premium est 120.

La connectivité à chemin redondant fournit des chemins de données redondants à chaque disque dur.

---

## Carte de fond de panier

---

Connecteurs

- 12 ou 24 connecteurs de disque dur SAS
- Deux connecteurs pour les modules de ventilation/alimentation
- Deux ensembles de connecteurs de module de contrôleur RAID
- Un connecteur de panneau de commande pour les voyants frontaux et le commutateur de mode boîtier

Capteurs

Deux capteurs de température

---

## Voyants

---

Panneau avant

- Un voyant bicolore indiquant l'état du système
- Deux voyants monochromes (alimentation et mode boîtier)

**REMARQUE** : le voyant du mode boîtier ne s'applique pas à la matrice de stockage PowerVault série MD3200i.

Support de disque dur

- Un voyant d'activité monochrome
- Un voyant d'état bichrome par lecteur

Bloc d'alimentation/ventilateur de refroidissement

Trois voyants d'état (état du bloc d'alimentation, panne du bloc d'alimentation/ventilateur et état de l'alimentation)

---

**Voyants (suite)**

---

Module de contrôleur RAID	Dix voyants monochromes : <ul style="list-style-type: none"><li>• Un voyant de panne de batterie</li><li>• Un voyant d'activité de la mémoire cache</li><li>• Un voyant de panne du contrôleur</li><li>• Un voyant d'état de l'alimentation de contrôleur</li><li>• Un voyant système</li><li>• Un voyant d'activité de gestion Ethernet</li><li>• Quatre voyants d'activité de port d'entrée iSCSI</li></ul> Six voyants bichromes : <ul style="list-style-type: none"><li>• Quatre voyants de vitesse de lien d'entrée iSCSI</li><li>• Un voyant de panne ou de lien de sortie SAS</li><li>• Un voyant de vitesse de lien Ethernet de gestion</li></ul>
---------------------------	---

---

**Commutateur**

---

Bouton d'identification du système	Situé sur le panneau de commande avant. Ce bouton sert à localiser un système au sein d'un rack.
Sélecteur de mode Boîtier	Situé sur le devant du système. Ce sélecteur ne s'applique pas à la matrice de stockage PowerVault série MD3200i.
Sélecteur de réinitialisation du mot de passe	Situé sur le panneau arrière du module de contrôleur RAID. Ce sélecteur permet de réinitialiser le mot de passe de la matrice de stockage.

---

**Blocs d'alimentation**

---

Alimentation secteur (par bloc d'alimentation)	
Puissance	600 W
Tension	100–240 VCA (8,6 A–4,3 A)
Dissipation thermique	100 W
Courant d'appel maximal	Dans des conditions de ligne typiques et dans toute la gamme ambiante de fonctionnement du système, l'appel de courant peut atteindre 55 A par bloc d'alimentation pendant un maximum de 10 ms.

---

**Alimentation disponible pour les disques durs (par logement)**

---

PowerVault MD3200i	25 W
PowerVault MD3220i	12 W

---

**Alimentation du module de contrôleur RAID (par emplacement)**

---

Consommation de courant maximale	100 W
----------------------------------	-------

---

**Caractéristiques physiques**

---

## PowerVault MD3200i

Hauteur	8,68 cm (3,41 pouces)
Largeur	44,63 cm (17,57 pouces)
Profondeur	60,20 cm (23,70 pouces)
Poids (configuration maximale)	29,30 kg (64,6 livres)
Poids (vide)	8,84 kg (19,5 livres)

## PowerVault MD3220i

Hauteur	8,68 cm (3,41 pouces)
Largeur	44,63 cm (17,57 pouces)
Profondeur	54,90 cm (21,61 pouces)
Poids (configuration maximale)	24,22 kg (53,4 livres)
Poids (vide)	8,61 kg (19 livres)

---

**Environnement**

---

**REMARQUE** : pour des informations supplémentaires sur les mesures environnementales liées aux différentes configurations du système, voir [www.dell.com/environmental\\_datasheets](http://www.dell.com/environmental_datasheets).

## Température

En fonctionnement	De 10 à 35 °C (50 à 95 °F) avec un gradient thermique maximal de 10 °C par heure
-------------------	--

**REMARQUE** : pour les altitudes supérieures à 900 mètres (2 950 pieds), la température maximale de fonctionnement est réduite de 0,55 °C (1 °F) tous les 168 mètres (550 pieds).

Entreposage	De -40 à 65 °C (-40 à 149 °F) avec un gradient thermique maximal de 20 °C par heure
-------------	---



---

**Environnement (suite)**

---

## Humidité relative

En fonctionnement De 20 à 80 % (sans condensation) avec un gradient d'humidité maximal de 10 % par heure

Entreposage De 5 à 95 % (sans condensation)

## Tolérance maximale aux vibrations

En fonctionnement 0,25 G avec un balayage de 3 à 200 Hz pendant 15 minutes

Entreposage 0,5 G avec un balayage de 3 à 200 Hz pendant 15 minutes

## Choc maximal

En fonctionnement Une impulsion de choc de 31 G pendant un maximum de 2,6 ms sur l'axe z positif (une impulsion de chaque côté du système)

Entreposage Six chocs consécutifs de 71 G pendant un maximum de 2 ms en positif et négatif sur les axes x, y et z (une impulsion de chaque côté du système)

## Altitude

En fonctionnement De -16 à 3 048 m (-50 à 10 000 pieds)

**REMARQUE :** pour les altitudes supérieures à 900 mètres (2 950 pieds), la température maximale de fonctionnement est réduite de 0,55 °C (1 °F) tous les 168 mètres (550 pieds).

Entreposage De -16 à 10 600 m (-50 à 35 000 pieds)

## Contaminants en suspension dans l'air

Classe G1 selon la norme ISA-S71.04-1985



Dell PowerVault  
Speicher-Arrays der Reihen  
MD3200i und MD3220i

Handbuch zum Einstieg  
mit dem System



# Anmerkungen, Vorsichtshinweise und Warnhinweise



**ANMERKUNG:** Eine ANMERKUNG macht auf wichtige Informationen aufmerksam, mit denen Sie das System besser einsetzen können.



**VORSICHTSHINWEIS:** Ein VORSICHTSHINWEIS macht darauf aufmerksam, dass bei Nichtbefolgung von Anweisungen eine mögliche Beschädigung der Hardware oder ein Verlust von Daten droht.



**WARNUNG:** Durch eine WARNUNG werden Sie auf Gefahrenquellen hingewiesen, die materielle Schäden, Verletzungen oder sogar den Tod von Personen zur Folge haben können.

---

**Irrtümer und technische Änderungen vorbehalten.**

**© 2011 Dell Inc. Alle Rechte vorbehalten.**

Die Vervielfältigung oder Wiedergabe dieser Materialien in jeglicher Weise ohne vorherige schriftliche Genehmigung von Dell Inc. ist strengstens untersagt.

In diesem Text verwendete Marken: Dell™, das DELL Logo und PowerVault™ sind Marken von Dell Inc. Microsoft® und Windows Server® sind Marken oder eingetragene Marken der Microsoft Corporation in den USA und/oder anderen Ländern. Red Hat® und Red Hat Enterprise Linux® sind eingetragene Marken von Red Hat, Inc. in den USA und anderen Ländern. SUSE® ist eine eingetragene Marke von Novell, Inc. in den USA und anderen Ländern. VMware® ist eine eingetragene Marke von VMware, Inc. in den USA und/oder anderen Gerichtsbarkeiten.

Alle anderen in dieser Publikation möglicherweise verwendeten Marken und Handelsbezeichnungen beziehen sich entweder auf die entsprechenden Hersteller und Firmen oder auf deren Produkte. Dell Inc. erhebt keinen Anspruch auf Markenzeichen und Handelsbezeichnungen mit Ausnahme der eigenen.

Vorschriftenmodell Serie E03J und E04J

2011 - 08 P/N J26CK Rev. A02

## Bevor Sie beginnen



**ANMERKUNG:** In der vorliegenden Dokumentation bezieht sich der Ausdruck „Dell PowerVault Speicher-Array der Reihe MD3200i“ auf sowohl Dell PowerVault MD3200i als auch auf Dell PowerVault MD3220i. Das Erweiterungsgehäuse für Dell PowerVault der Reihe MD1200 bezieht sich sowohl auf Dell PowerVault MD1200 als auch auf Dell PowerVault MD1220.

Bevor Sie Ihr Dell PowerVault Speicher-Array der Reihe MD3200i einrichten, sollten Sie einige bewährte Verfahren beachten, um sicherzustellen, dass Ihr Speicher-Gehäuse bei maximaler Effizienz arbeitet und, soweit zutreffend, eine vollständige Redundanz bietet.

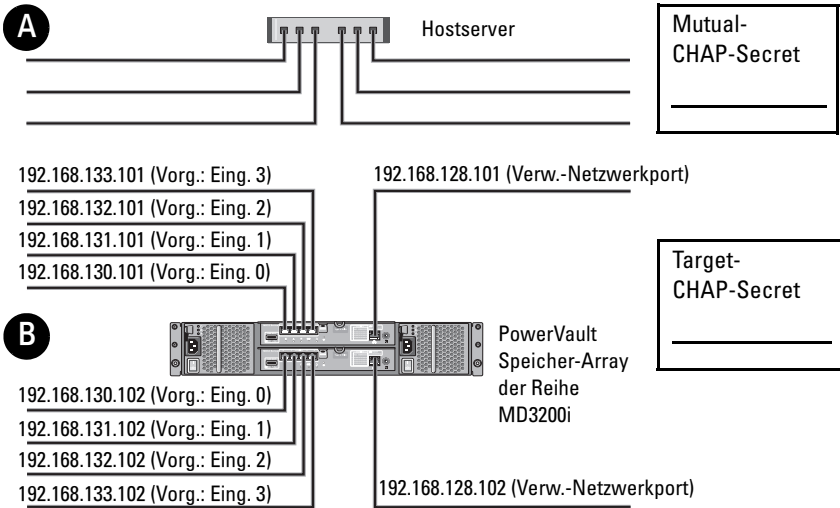
- Es wird empfohlen, ein dediziertes IP-SAN-Netzwerk für die iSCSI-Datenübertragung zu verwenden. Der Verwaltungsdatenverkehr kann auf einem separaten Verwaltungsnetzwerk isoliert werden.
- Füllen Sie vor der iSCSI-Konfiguration das iSCSI-Konfigurationsarbeitsblatt aus. Siehe „Ausfüllen des iSCSI-Arbeitsblatts“ auf Seite 68. Dieses Arbeitsblatt fasst physikalische Netzwerkinformationen in einer einzigen Quelle zusammen.
- Zeichnen Sie nach dem Ausfüllen des iSCSI-Arbeitsblatts die Konfiguration auf, bevor Sie die Lösung umsetzen.
- Für den Fall eines Datenpfadausfalls sollten Sie stets redundante iSCSI-Datenpfade vorsehen, die als alternative Pfade zum und vom Host-Server verwendet werden können.
- Falls mehrere Netzwerkschnittstellen-Controller (NICs) auf einem Host installiert sind, wird empfohlen, für die Verwaltung und die iSCSI-Datenverbindungen unterschiedliche Teilnetzwerke zu verwenden.
- Verwenden Sie für das gesamte Netzwerk Ethernet-Kabel der Kategorie 5 e (oder höher).
- Bevor Sie Kabel zwischen dem Host-Server und dem Speicher-Array anschließen, sollten Sie alle Ports und Stecker physikalisch kennzeichnen.
- Beachten Sie stets die Vorschriften für das ordnungsgemäße Ein- und Ausschalten, wenn Sie das Netzwerk mit Strom versorgen. Stellen Sie außerdem sicher, dass kritische Netzwerkkomponenten an separate Stromkreise angeschlossen sind.



**ANMERKUNG:** Die Abbildungen in diesem Dokument zeigen die Verkabelung von nur einem PowerVault Speicher-Array der Reihe MD3200i in einer SAN-Umgebung. Die Abbildungen zeigen außerdem nur die Standard-IP-Adressen für das PowerVault Speicher-Array der Reihe MD3200i. Informationen zum Verkabeln mehrerer PowerVault Speicher-Arrays der Reihe MD3200i in einer SAN-Umgebung finden Sie im *Bereitstellungshandbuch*.

# Ausfüllen des iSCSI-Arbeitsblatts

## IPv4-Einstellungen




*Wenn Sie zusätzlichen Platz für weitere Hostserver benötigen, verwenden Sie ein weiteres Arbeitsblatt.*

<b>A</b> Feste IP-Adresse (Hostserver)	Subnetzmaske	Standard-Gateway
iSCSI-Port 1	_____	_____
iSCSI-Port 2	_____	_____
iSCSI-Port 3	_____	_____
iSCSI-Port 4	_____	_____
Verwaltungsschnittstelle	_____	_____





**ANMERKUNG:** Der Host-Server unterstützt bis zu vier NICs.

<b>B</b> Feste IP-Adresse (Speicher-Array)	Subnetzmaske	Standard-Gateway
iSCSI-Controller 0, Eing. 0	_____	_____
iSCSI-Controller 0, Eing. 1	_____	_____
iSCSI-Controller 0, Eing. 2	_____	_____
iSCSI-Controller 0, Eing. 3	_____	_____
Verwaltungsport-Contrl. 0	_____	_____
iSCSI-Controller 1, Eing. 0	_____	_____
iSCSI-Controller 1, Eing. 1	_____	_____
iSCSI-Controller 1, Eing. 2	_____	_____
iSCSI-Controller 1, Eing. 3	_____	_____
Verwaltungsport-Contrl. 1	_____	_____

 **ANMERKUNG:** Weitere Informationen zum IPv6-Arbeitsblatt finden Sie im *Bereitstellungshandbuch*.

## Sonstige hilfreiche Dokumentationen und Medien

 **WARNUNG:** Beachten Sie die Sicherheits- und Betriebsbestimmungen, die mit dem Computer geliefert wurden. Garantiebestimmungen können möglicherweise als separates Dokument beigelegt sein.

 **ANMERKUNG:** Sämtliche Dokumente zum PowerVault Speicher-Array der Reihe MD3200i sind unter [support.dell.com/manuals](http://support.dell.com/manuals) verfügbar.

- In der zusammen mit der Rack-Lösung gelieferten Rack-Dokumentation ist beschrieben, wie das System in einem Rack installiert wird.
- Im *Hardware-Benutzerhandbuch* erhalten Sie Informationen über Systemfunktionen, zur Fehlerbehebung am System und zum Installieren oder Austauschen von Systemkomponenten.
- Im *Bereitstellungshandbuch* erhalten Sie Informationen zum Installieren und Konfigurieren der Software und Hardware.
- Im *CLI-Handbuch* erhalten Sie Informationen zum Verwalten und Konfigurieren Ihres Speicher-Arrays über die Befehlszeilenschnittstelle (CLI).
- Im *SMI-S-Handbuch für Programmierer* erhalten Sie Informationen zum Verwenden des SMI-S-Anbieters und zur SMI-S-Programmierung.

- Alle im Lieferumfang des Systems enthaltenen Medien mit Dokumentationen und Hilfsmitteln zur Konfiguration und Verwaltung des Systems, insbesondere in Bezug auf Betriebssystem, Systemverwaltungssoftware, System-Updates und mit dem System erworbene Komponenten.



**ANMERKUNG:** Wenn auf der Website [support.dell.com/manuals](http://support.dell.com/manuals) aktualisierte Dokumente vorliegen, lesen Sie diese immer zuerst, denn frühere Informationen werden damit gegebenenfalls ungültig.

## Vorbereiten des Host-Servers

### Unterstützte Betriebssysteme

- Microsoft Windows Server
- Red Hat Enterprise Linux
- SUSE Linux Enterprise Server
- VMware



**ANMERKUNG:** Aktuelle Informationen zu den unterstützten Betriebssystemversionen finden Sie in der *Matrix der unterstützten Systeme* unter [support.dell.com/manuals](http://support.dell.com/manuals).

### Zusätzliche NICs für iSCSI

Für die Installation zusätzlicher NICs gelten folgende Empfehlungen:

- Verwenden Sie dedizierte, redundante Speichernetzwerke für den iSCSI-Datenverkehr. Falls kein dediziertes Netzwerk realisierbar ist, isolieren Sie den iSCSI-Datenverkehr vom allgemeinen Netzwerkverkehr, indem Sie virtuelle lokale Netzwerke (VLANs) verwenden.
- Verwenden Sie für den iSCSI-Datenverkehr zusätzliche dedizierte NICs.
- Die NICs müssen zur Sicherstellung der Redundanz paarweise hinzugefügt werden (bis zu vier NICs).



**ANMERKUNG:** Ein einziger NIC wird ebenfalls unterstützt.

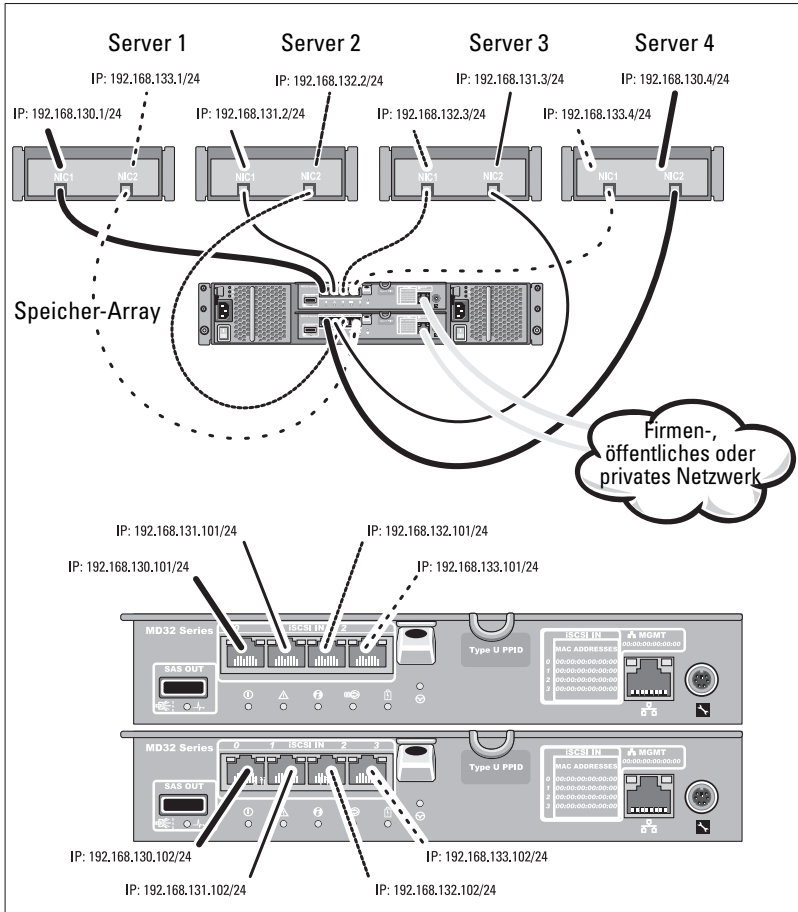
### NIC-Konfiguration

In einer SAN-Umgebung empfiehlt sich, je nach Anzahl der Switches, die Verwendung von zwei oder vier eindeutigen Teilnetzwerken für den iSCSI-Datenverkehr. In Umgebungen mit direkt verbundenen Speichergeräten muss sich jeder NIC, der direkt mit dem PowerVault Speicher-Array der Reihe MD3200i verbunden ist, auf einem separaten Teilnetzwerk befinden.

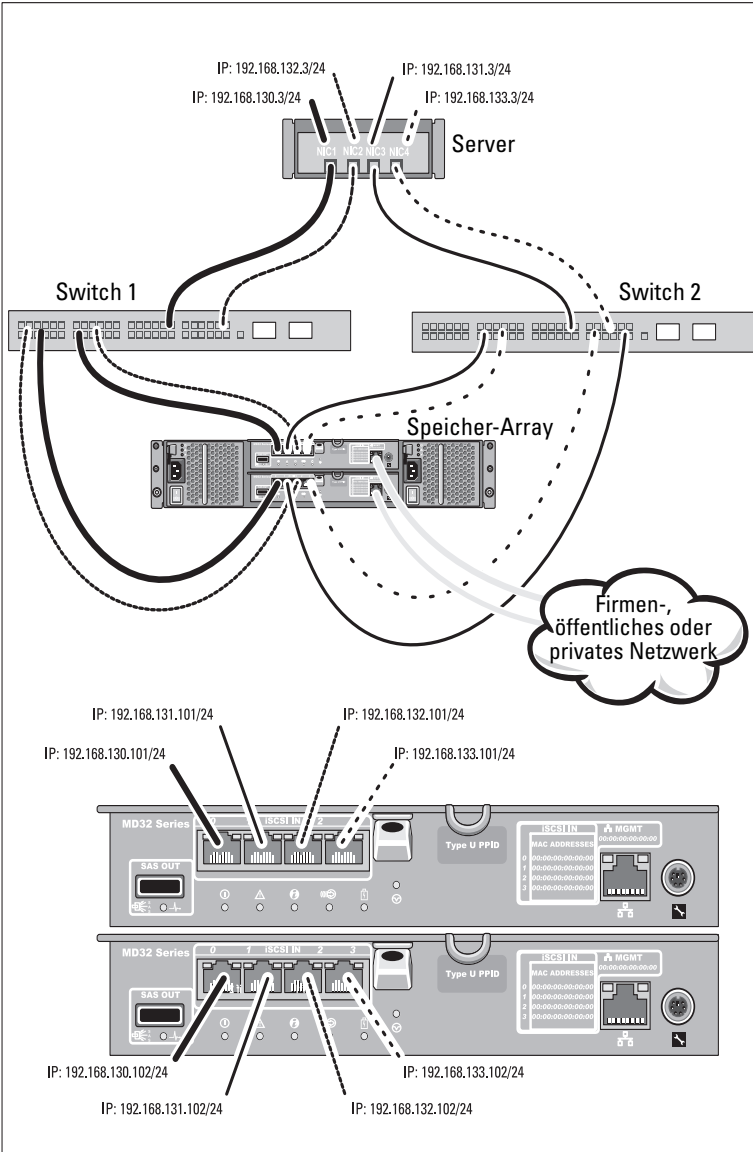


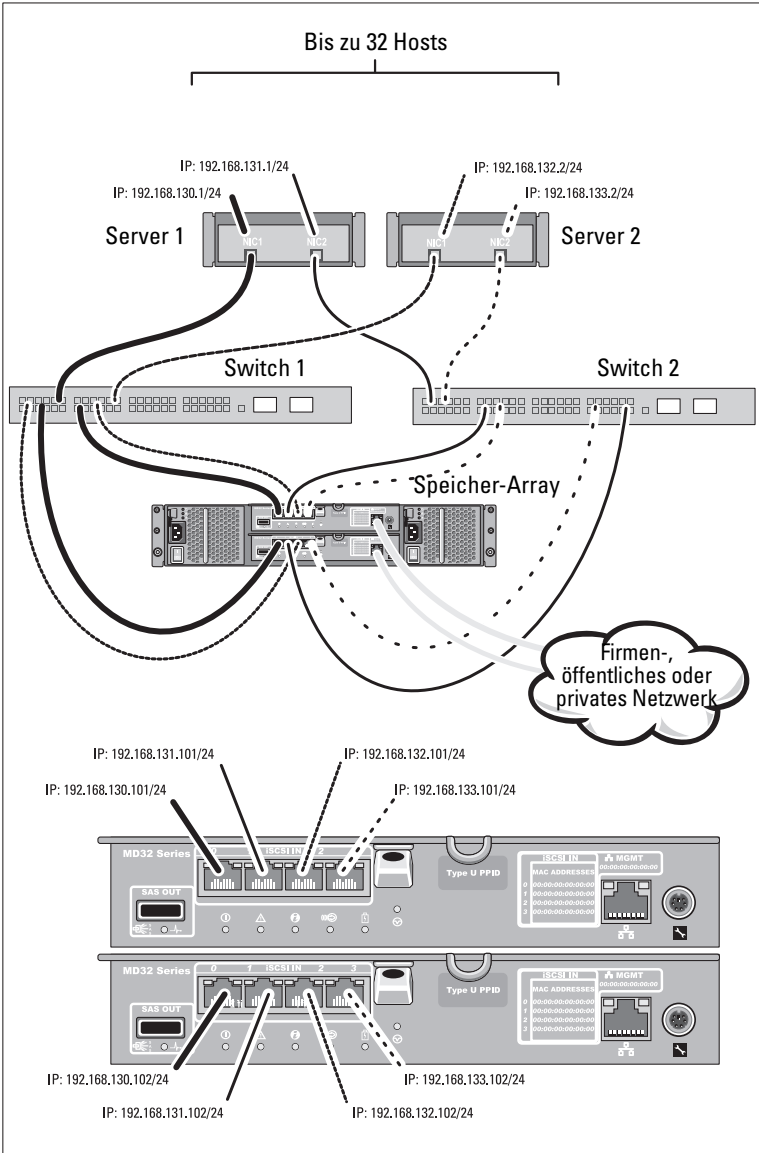
# Allgemeine Konfigurationen

## Verkabeln der direkt angeschlossenen Hosts



# Verkabeln der über ein SAN-Netzwerk angeschlossenen Hosts





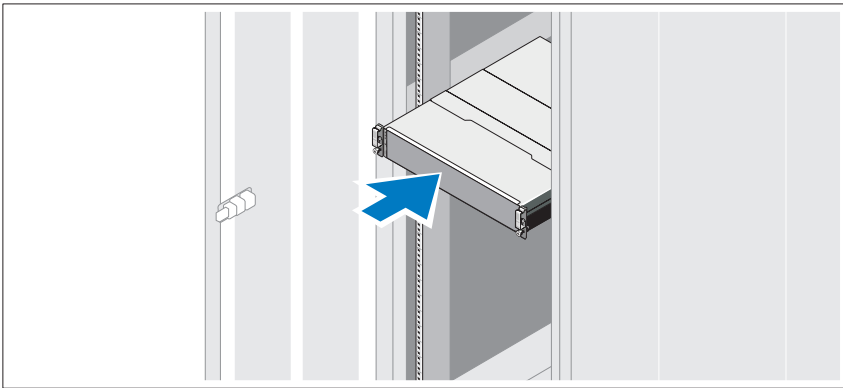
# Installation und Konfiguration

 **WARNUNG:** Lesen Sie vor dem Ausführen der folgenden Schritte die Sicherheitshinweise für das System.


## Auspacken des Systems

Nehmen Sie das System aus der Verpackung heraus, und vergleichen Sie die einzelnen Teile mit der mitgelieferten Packliste.

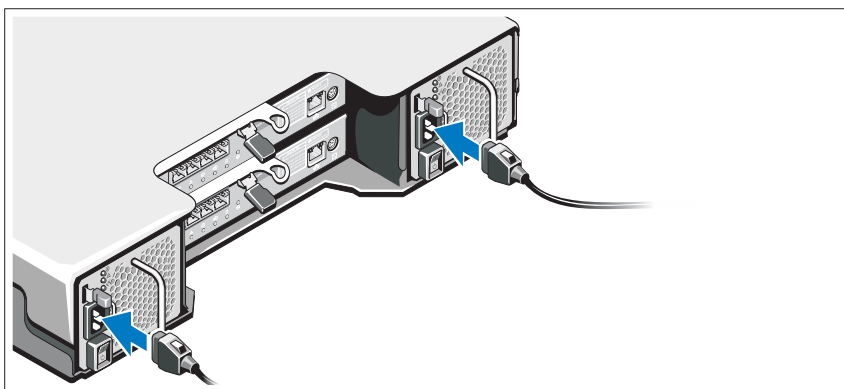
## Installation der Schienen und des Systems in einem Rack



Lesen Sie vor der Montage der Schienen und dem Einbau des Systems im Rack zunächst die mit dem System gelieferten Sicherheitshinweise und die Installationsanleitung für das Rack.

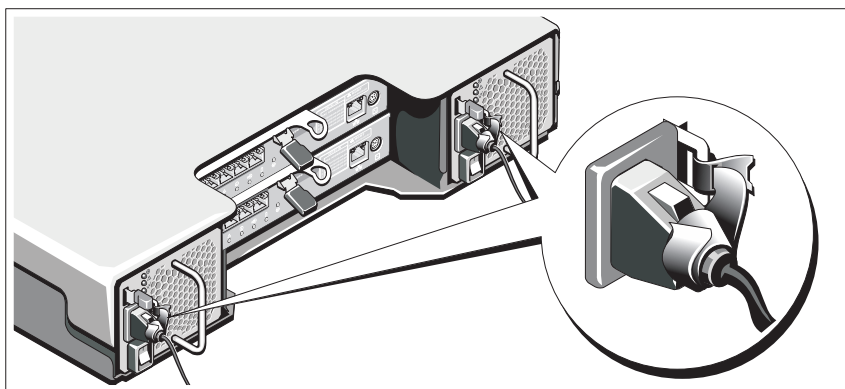
 **ANMERKUNG:** Aus Gründen der Stabilität wird empfohlen, das PowerVault Speicher-Array der Reihe MD3200i unten im Rack zu installieren und die Erweiterungsgehäuse für den PowerVault der Reihe MD1200 darüber.

## Anschließen des/der Netzstromkabel(s)



Stellen Sie sicher, dass der Netzschalter auf der OFF (AUS)-Einstellung ist, bevor Sie die Stromversorgungskabel verbinden. Verbinden Sie das bzw. die Stromversorgungskabel mit dem System.

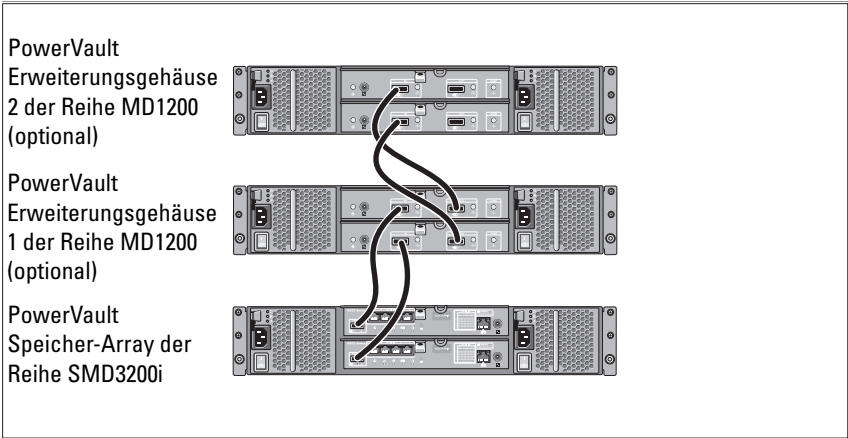
## Befestigen des/der Netzstromkabel(s)



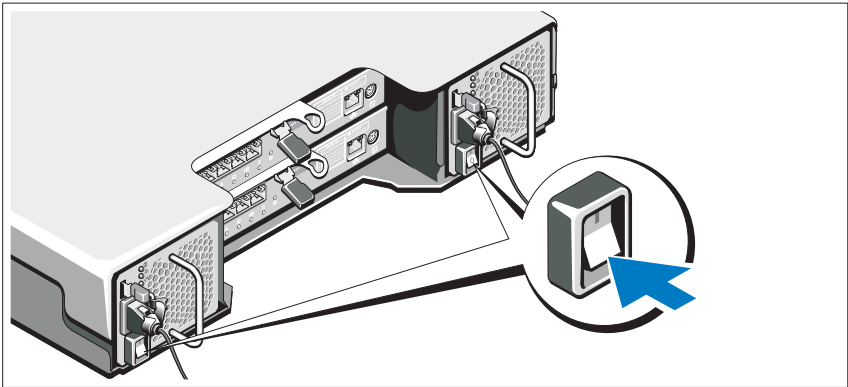
Befestigen Sie die Kabel fest mit der Halterung, und verwenden Sie dazu das mitgelieferte Band.

Stecken Sie jedes Stromversorgungskabel in eine geerdete Steckdose oder an eine separate Spannungsquelle, etwa eine unterbrechungsfreien Stromversorgung (USV) oder einem Stromverteiler (PDU). Jedes Netzteil muss an einen separaten Stromkreis angeschlossen werden.

### Verkabeln des Erweiterungsgehäuses



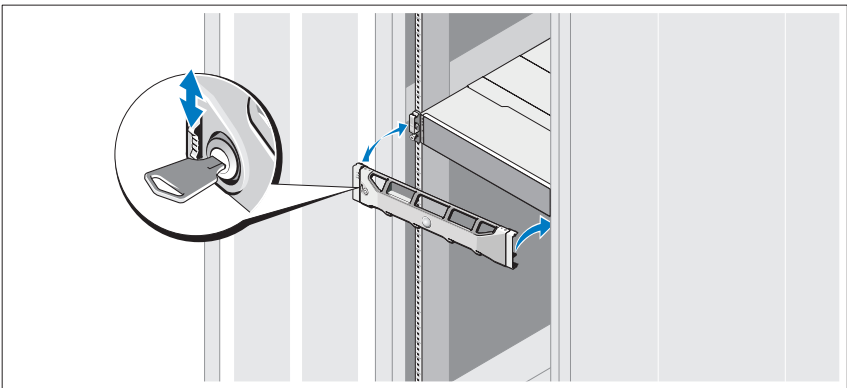
### Einschalten des Gehäuses



Schalten Sie die Komponenten in der folgenden Reihenfolge ein:

- 1 Ethernet-Switches (falls verwendet).
- 2 Erweiterungsgehäuse für PowerVault der Reihe MD1200 (falls verwendet).
  - ✎ **ANMERKUNG:** Stellen Sie vor dem Einschalten des Speicher-Arrays sicher, dass die Status-LED des Erweiterungsgehäuses blau leuchtet.
- 3 PowerVault Speicher-Array der Reihe SMD3200i.
  - ✎ **ANMERKUNG:** Stellen Sie vor dem Einschalten der Host-Server sicher, dass die Status-LED des Speicher-Arrays blau leuchtet.
- 4 Host-Server.

## Befestigen der Blende



Befestigen Sie die Frontblende (optional).

## Installieren der MD-Storage-Software

- ✎ **ANMERKUNG:** Ausführliche Anweisungen zum Installieren der MD-Storage-Software, zum Einrichten des Gehäuses und zum Durchführen von Schritten im Anschluss an die Installation finden Sie im *Bereitstellungshandbuch*.

Die MD-Storage-Manager-Software konfiguriert, verwaltet und überwacht das Speicher-Array. Das Programm „MD-Configuration-Utility (MDCU)“ ist ein optionales Programm, das einen konsolidierten Ansatz für die Konfiguration der Verwaltungs- und der iSCSI-Host-Ports sowie für die Erstellung von Sitzungen für die modularen iSCSI-Festplatten-Speicher-Arrays bietet. Es wird empfohlen, das MDCU-Programm für die iSCSI-Konfiguration auf jedem Host-Server zu installieren und zu verwenden, der mit dem Speicher-Array verbunden ist. So installieren Sie die MD Storage-Software:

- 1 Legen Sie den Ressourcen-Datenträger der MD-Reihe ein.

Je nach Betriebssystem startet das Installationsprogramm möglicherweise automatisch. Wenn das Installationsprogramm nicht automatisch startet, navigieren Sie zum Root-Verzeichnis des Installationsmediums (oder zum heruntergeladenen Image für das Installationsprogramm), und führen Sie die Datei **md\_launcher.exe** aus. Rufen Sie bei Linux-basierten Systemen das Stammverzeichnis des Ressourcen-Datenträgers auf und führen Sie die Datei **autorun** aus.



**ANMERKUNG:** Standardmäßig wird durch Red Hat Enterprise Linux (RHEL) der Ressourcen-Datenträger mit der Option **–noexec mount** bereitgestellt, die das Ausführen der selbstextrahierenden Programmdatei nicht zulässt. Wenn Sie diese Einstellung ändern möchten, lesen Sie die entsprechenden Informationen in der **Info-Datei**, die Sie im Root-Verzeichnis des Installationsmediums finden.

- 2 Wählen Sie die Option **MD-Storage-Software installieren**.
- 3 Lesen Sie den Lizenzvertrag, und stimmen Sie dem Vertrag zu.
- 4 Wählen Sie eine der folgenden Installationsoptionen aus dem Drop-Down-Menü **Installationsart** aus:
  - **Vollständig (empfohlen)** – Mit dieser Option werden die MD-Storage-Manager-Software (Client), der hostbasierte Speicher-Agent, der Multipath-Treiber und die Hardwarekomponenten installiert.
  - **Nur Host** – Mit dieser Option werden nur der hostbasierte Speicher-Agent und die Multipath-Treiber installiert.
  - **Verwaltung** – Mit dieser Option werden die Verwaltungssoftware und die Hardwarekomponenten installiert.
  - **Benutzerdefiniert** – Mit dieser Option können Sie bestimmte Komponenten auswählen.



- 5 Wählen Sie die MD-Speicher-Array-Modelle aus, die Sie einrichten möchten, damit sie als Datenspeicher für diesen Hostserver verwendet werden können.
- 6 Legen Sie fest, ob die Ereignisüberwachung automatisch gestartet werden soll, wenn der Hostserver neu gestartet wird, oder ob Sie sie manuell starten möchten.



**ANMERKUNG:** Diese Option ist nur im Rahmen der Installation der Windows-Client-Software verfügbar.

- 7 Bestätigen Sie den Installationsort, und klicken Sie auf **Installieren**.
- 8 Starten Sie den Hostserver nach erfolgreicher Installation nach Aufforderung neu.
- 9 Wenn der Neustart abgeschlossen ist, wird das MDCU möglicherweise automatisch gestartet. Wenn das MDCU nicht automatisch gestartet wird, starten Sie es manuell.
  - Klicken Sie in einem Windows-basierten Betriebssystem auf **Start**→ **Dell**→ **Modular Disk Configuration Utility**.
  - Doppelklicken Sie in einem Linux-basierten Betriebssystem auf das Symbol **Modular Disk Configuration Utility** auf dem Desktop.



**ANMERKUNG:** Sollte das MDCU nicht installiert sein, finden Sie weitere Informationen im *Bereitstellungshandbuch* unter [support.dell.com/manuals](http://support.dell.com/manuals).

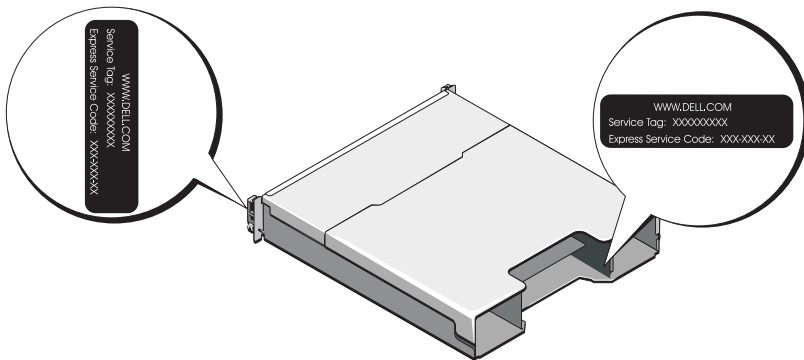
- 10 Starten Sie den **MD Storage Manager**, und ermitteln Sie das/die Array(s).
- 11 Aktivieren Sie, falls zutreffend, alle Erweiterungsfunktionen, die im Lieferumfang Ihres Speicher-Arrays enthalten sind. Wenn Sie Erweiterungsfunktionen erworben haben, finden Sie weitere Informationen auf der gedruckten Aktivierungskarte, die im Lieferumfang Ihres Speicher-Arrays enthalten ist.



**ANMERKUNG:** Das Installationsprogramm für den **MD Storage Manager** installiert die für den Betrieb Ihres Speicher-Arrays erforderlichen Treiber, die Firmware und die Betriebssystem-Patches/-Hotfixes automatisch. Sie können diese Treiber und die Firmware auch von der Website [support.dell.com](http://support.dell.com) herunterladen. Weitere für Ihren speziellen Speicher-Array verfügbare Einstellungen und/oder Software finden Sie außerdem in der *Support-Matrix* unter [support.dell.com/manuals](http://support.dell.com/manuals).

## Ausfindig machen der Service-Tag-Nummer

Ihr System wird durch einen eindeutigen Express-Servicecode und eine eindeutige Service-Tag-Nummer identifiziert. Der Express-Servicecode und die Service-Tag-Nummer befinden sich an der Rückseite des Systems, neben den RAID-Controller-Modulen. Mithilfe dieser Informationen kann Dell Support-Anrufe an den richtigen Mitarbeiter weiterleiten.



## NOM-Informationen (nur Mexiko)

Die folgenden Informationen beziehen sich auf die in diesem Dokument beschriebenen Geräte und gründen auf der mexikanischen Norm NOM:

Importeur:	Dell Inc. de México, S.A. de C.V. Paseo de la Reforma 2620 -11º Piso Col. Lomas Altas 11950 México, D.F.
Modellnummer:	E03J und E04J
Netzspannung:	100-240 V Wechselspannung
Frequenz:	50/60 Hz
Stromaufnahme:	8,6 A

# Technische Daten

---

## Laufwerke

---

PowerVault MD3200i	Bis zu 12 Hot-Swap-fähige 3,5-Zoll-SAS-Festplatten (3,0 Gbit/s und 6,0 Gbit/s)
PowerVault MD3220i	Bis zu 24 Hot-Swap-fähige 2,5-Zoll-SAS-Festplatten (3,0 Gbit/s und 6,0 Gbit/s)

---

## RAID-Controller-Module

---

RAID-Controller-Module	<ul style="list-style-type: none"><li>• Ein oder zwei Hot-Swap-fähige Module mit Temperatursensoren</li><li>• 2-GB-Cache pro Controller</li></ul>
------------------------	---

---

## Rückseitige Anschlüsse (pro RAID-Controller-Modul)

---

iSCSI-Anschlüsse	Vier 1-GB-iSCSI-IN-Anschlüsse für den Anschluss von Hosts
SAS-Erweiterungsanschluss	Ein SAS-OUT-Port für den Anschluss eines zusätzlichen PowerVault Gehäuses der Reihe MD1200. <b>ANMERKUNG:</b> Die SAS-Anschlüsse sind SFF-8088-kompatibel.
Serieller Anschluss	Ein 6-poliger Mini-DIN-Anschluss <b>ANMERKUNG:</b> Nur für den Technischen Support.

---

## Rückseitige Anschlüsse (pro RAID-Controller-Modul) (fortgesetzt)

---

Ethernet-Verwaltungsanschluss Ein 100/1000-Base-T-Port-Ethernet-Anschluss für die bandexterne Verwaltung des Gehäuses

**ANMERKUNG:** Die IP-Adressen für die standardmäßige Verwaltungsschnittstelle der primären und sekundären RAID-Controller-Module lauten 192.168.128.101 und 192.168.128.102. Die Verwaltungsschnittstellen sind standardmäßig auf Dynamic Host Configuration Protocol (DHCP) eingestellt. Wenn der Controller nicht in der Lage ist, die IP-Adresskonfiguration innerhalb eines festgelegten Zeitraums (etwa drei Minuten) von einem DHCP-Server abzurufen, greift er standardmäßig auf die statische IP-Adressierung zurück. Weitere Informationen finden Sie im *Bereitstellungshandbuch*.

---

## Erweiterung

---

PowerVault der Reihe MD1200 Unterstützt bis zu 192 Festplatten mit einer beliebigen Kombination aus PowerVault MD1200- und PowerVault MD1220-Erweiterungsgehäusen. Die Unterstützung von 192 Festplatten ist eine Erweiterungsfunktion und muss daher aktiviert werden. Ohne Erweiterungsfunktion werden maximal 120 Festplatten unterstützt.

Redundante Pfadkonnektivität liefert redundante Datenpfade zu jedem Festplattenlaufwerk.

---

## Rückwandplatine

---

Anschlüsse

- Zwölf oder 24 SAS-Festplattenanschlüsse
- Zwei Anschlüsse für Netzteil-/Lüftermodule
- Zwei Sätze RAID-Controller-Modul-Anschlüsse
- Ein Anschluss für das Front-Bedienfeld mit LEDs und Gehäusemodusschalter

Sensoren

Zwei Temperaturfühler

---

## LED-Anzeigen

---

Frontblende	<ul style="list-style-type: none"><li>• Eine zweifarbige LED-Anzeige für den Systemstatus</li><li>• Zwei einfarbige LED-Anzeigen für Stromversorgung und Split-Betrieb</li></ul> <p><b>ANMERKUNG:</b> Die Gehäusemodus-LED gilt nicht für das PowerVault Speicher-Array der Reihe MD3200i.</p>
Festplattenträger	<ul style="list-style-type: none"><li>• Eine einfarbige Aktivitäts-LED</li><li>• Eine zweifarbige LED-Statusanzeige je Laufwerk</li></ul>
Netzteil/Lüfter	Drei LED-Statusanzeigen für Netzteilstatus, Netzteil-/Lüfterfehler und Wechselstromstatus
RAID-Controller-Modul	Zehn einfarbige LEDs: <ul style="list-style-type: none"><li>• Eine Akkufehler-LED</li><li>• Eine Cache-Aktivitäts-LED</li><li>• Eine Controller-Fehler-LED</li><li>• Eine Controller-Stromversorgungs-LED</li><li>• Eine Systemidentifizierungs-LED</li><li>• Eine Ethernet-Verwaltungsaktivitäts-LED</li><li>• Vier iSCSI-IN-Port-Aktivitäts-LEDs</li></ul> Sechs zweifarbige LEDs: <ul style="list-style-type: none"><li>• Vier iSCSI-IN-Verbindungsgeschwindigkeits-LEDs</li><li>• Eine SAS-OUT-Verbindungs- oder Fehler-LED</li><li>• Eine Ethernet-Verwaltungs-Verbindungsgeschwindigkeits-LED</li></ul>

---

## Schalter

---

Systemidentifikationstaste	Befindet sich auf dem Bedienfeld an der Vorderseite. Dieser Schalter wird verwendet, um ein System innerhalb eines Racks zu identifizieren.
Schalter für Gehäusebetriebsart	Befindet sich an der Vorderseite des Systems. Dieser Schalter gilt nicht für das PowerVault Speicher-Array der Reihe MD3200i.
Schalter zum Zurücksetzen des Kennworts	Befindet sich an der Rückseite des RAID-Controller-Moduls. Mithilfe dieses Schalters können Sie das Speicher-Array-Kennwort zurücksetzen.

---

**Netzteile**

---

## Wechselstromversorgung (je Netzteil)

Leistung	600 W
Spannung	100–240 V Wechselstrom (4,3–8,6 A)
Wärmeabgabe	100 W
Maximaler Einschaltstrom	Unter typischen Leitungsbedingungen und über den gesamten Umgebungsbereich des Systems kann der Einschaltstrom 55 A pro Netzteil über einen Zeitraum von 10 ms oder kürzer erreichen.

---

**Verfügbare Leistung für Festplatten (pro Schacht)**

---

PowerVault MD3200i	25 W
PowerVault MD3220i	12 W

---

**Stromverbrauch RAID-Controller-Modul (pro Steckplatz)**

---

Maximaler Stromverbrauch	100 W
--------------------------	-------

---

**Abmessungen und Gewicht**

---

## PowerVault MD3200i

Höhe	8,68 cm
Breite	44,63 cm
Tiefe	60,20 cm
Gewicht (maximale Konfiguration)	29,30 kg
Gewicht (leer)	8,84 kg

## PowerVault MD3220i

Höhe	8,68 cm
Breite	44,63 cm
Tiefe	54,90 cm
Gewicht (maximale Konfiguration)	24,22 kg
Gewicht (leer)	8,61 kg

---

## Umgebungsbedingungen

---

**ANMERKUNG:** Weitere Informationen zu Umgebungsbedingungen bei verschiedenen Systemkonfigurationen finden Sie unter [www.dell.com/environmental\\_datasheets](http://www.dell.com/environmental_datasheets).

### Temperatur

Betrieb 10 °C bis 35 °C mit einem maximalen Temperaturanstieg von 10 °C pro Stunde

**ANMERKUNG:** Bei Höhen über 900 Meter verringert sich die maximale Betriebstemperatur um 1 °C/300 m.

Lagerung -40° bis 65 °C mit einem max. Temperaturgradienten von 20 °C pro Stunde

### Relative Luftfeuchtigkeit

Betrieb 20 % bis 80 % (nicht-kondensierend) mit einem maximalen Luftfeuchtgradienten von 10% pro Stunde

Lagerung 5 % bis 95 % (nicht kondensierend)

### Zulässige Erschütterung

Betrieb 0,25 G bei 3-200 Hz, 15 Min. lang

Lagerung 0,5 G bei 3-200 Hz, 15 Min. lang

### Zulässige Stoßeinwirkung

Betrieb Ein Stoß von 31 G in der positiven Z-Achse (ein Stoß auf jeder Seite des Systems) über einen Zeitraum von 2,6 ms in der Betriebsrichtung

Lagerung Sechs nacheinander ausgeführte Stöße mit 71 G von bis zu 2 ms Dauer in positiver und negativer X-, Y- und Z-Richtung (ein Stoß auf jeder Seite des Systems)

### Höhe über NN

Betrieb -16 bis 3 048 m

**ANMERKUNG:** Bei Höhen über 900 Meter verringert sich die maximale Betriebstemperatur um 1 °C/300 m.

Lagerung -16 bis 10 600 m

### Luftverschmutzungsklasse

Klasse G1 gemäß ISA-S71.04-1985





Συστοιχίες αποθήκευσης  
Dell PowerVault MD3200i και  
MD3220i

Τα πρώτα βήματα με το  
σύστημά σας

Μοντέλο κατά τους κανονισμούς:  
Σειρά E03J και E04J



# Σημειώσεις, ειδοποιήσεις και προσοχές



**ΣΗΜΕΙΩΣΗ:** Η ΣΗΜΕΙΩΣΗ αφορά σημαντικές πληροφορίες που σας βοηθούν να χρησιμοποιείτε καλύτερα τον υπολογιστή σας.



**ΠΡΟΣΟΧΗ:** Η ΠΡΟΣΟΧΗ υποδηλώνει δυνητική υλική ζημιά ή απώλεια δεδομένων, αν δεν ακολουθούνται οι οδηγίες.



**ΠΡΟΕΙΔΟΠΟΙΗΣΗ:** Η ΠΡΟΕΙΔΟΠΟΙΗΣΗ υποδηλώνει δυνητική υλική ζημιά, σωματική βλάβη ή θάνατο.

---

**Οι πληροφορίες αυτής της δημοσίευσης υπόκεινται σε αλλαγές χωρίς ειδοποίηση.  
© 2011 Dell Inc. Με επιφύλαξη κάθε νόμιμου δικαιώματος.**

Απαγορεύεται αυστηρά η αναπαραγωγή αυτών των υλικών με οποιοδήποτε τρόπο χωρίς την έγγραφη άδεια της Dell Inc.

Εμπορικά σήματα που χρησιμοποιούνται στο παρόν κείμενο: Η ονομασία Dell™, το λογότυπο DELL και η ονομασία PowerVault™ είναι εμπορικά σήματα της Dell Inc. Οι ονομασίες Microsoft® και Windows Server® είναι είτε εμπορικά σήματα είτε σήματα κατατεθέντα της Microsoft Corporation στις Ηνωμένες Πολιτείες ή/και σε άλλες χώρες. Οι ονομασίες Red Hat® και Red Hat Enterprise Linux® είναι σήματα κατατεθέντα της Red Hat, Inc. στις Ηνωμένες Πολιτείες και σε άλλες χώρες. Η ονομασία SUSE® είναι σήμα κατατεθέν της Novell, Inc. στις Ηνωμένες Πολιτείες και σε άλλες χώρες. Η ονομασία VMware® είναι σήμα κατατεθέν της VMware, Inc. στις Ηνωμένες Πολιτείες ή/και σε άλλες περιοχές.

Άλλα εμπορικά σήματα και εμπορικές ονομασίες μπορεί να χρησιμοποιούνται στην παρούσα έκδοση αναφερόμενα είτε στους κατόχους των σημάτων και των ονομάτων είτε στα προϊόντα τους. Η Dell Inc. παραιτείται από κάθε δικαίωμα σε εμπορικά σήματα και εμπορικές ονομασίες τρίτων.

Μοντέλο κατά τους κανονισμούς: Σειρά E03J και E04J

2011 - 08 P/N J26CK Αναθ. A02

## Πριν ξεκινήσετε



**ΣΗΜΕΙΩΣΗ:** Στο έγγραφο αυτό, η συστοιχία αποθήκευσης Dell PowerVault σειρά MD3600f αναφέρεται τόσο στο Dell PowerVault MD3600f όσο και στο Dell PowerVault MD3620f. Το κουτί επέκτασης Dell PowerVault σειρά MD1200 αναφέρεται στόσο στο Dell PowerVault MD1200 όσο και στο Dell PowerVault MD1220.

Πριν ρυθμίσετε τη συστοιχία αποθήκευσης Dell PowerVault σειρά MD3200i, θα πρέπει να λάβετε υπόψη σας διάφορες βέλτιστες πρακτικές, για να διασφαλίσετε ότι η συστοιχία αποθήκευσης θα λειτουργεί με τη μέγιστη δυνατή αποδοτικότητα και θα προσφέρει πλήρη δυνατότητα πλεονασμού (εάν απαιτείται).

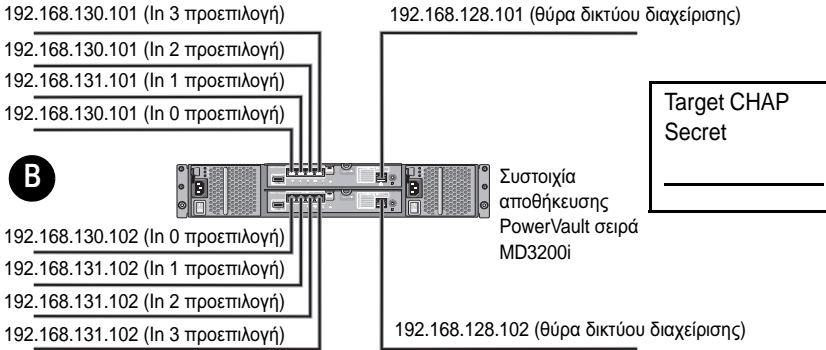
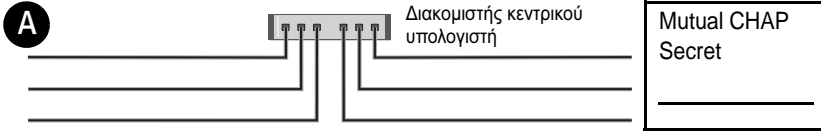
- Συνιστάται να χρησιμοποιείτε ξεχωριστό IP SAN για μετάδοση δεδομένων iSCSI. Η κίνηση διαχείρισης μπορεί να απομονωθεί σε ένα ξεχωριστό δίκτυο διαχείρισης.
- Συμπληρώστε το φύλλο διαμόρφωσης iSCSI πριν τη διαμόρφωση του iSCSI. Βλέπε «Συμπλήρωση του φύλλου iSCSI» στη σελίδα 90. Το φύλλο αυτό συγκεντρώνει τις πληροφορίες φυσικού δικτύου σε ένα μέρος.
- Αφού συμπληρώσετε το φύλλο iSCSI, σχεδιάστε τη διαμόρφωση πριν εγκαταστήσετε τη λύση.
- Ρυθμίζετε πάντα εφεδρικές διαδρομές δεδομένων iSCSI ώστε να έχετε εναλλακτικές διαδρομές προς και από το διακομιστή κεντρικού υπολογιστή σε περίπτωση απενεργοποίησης των διαδρομών δεδομένων.
- Αν έχουν εγκατασταθεί πολλές κάρτες δικτύου σε έναν κεντρικό υπολογιστή, συνιστάται να χρησιμοποιήσετε διαφορετικά υποδίκτυα για τη διαχείριση και τις συνδέσεις δεδομένων iSCSI.
- Στο δίκτυο, χρησιμοποιείτε πάντα καλώδιο Ethernet κατηγορίας 5e (ή ανώτερο).
- Πριν συνδέσετε τυχόν καλώδια μεταξύ του διακομιστή κεντρικού υπολογιστή και της συστοιχίας αποθήκευσης, ονομάστε κάθε θύρα και κάθε υποδοχή.
- Ακολουθείτε πάντα τις σωστές διαδικασίες έναρξης και τερματισμού λειτουργίας στο δίκτυο. Θα πρέπει επίσης να διασφαλίσετε ότι σημαντικά στοιχεία του δικτύου βρίσκονται σε διαφορετικά ηλεκτρικά κυκλώματα.



**ΣΗΜΕΙΩΣΗ:** Οι εικόνες στο παρόν έγγραφο εμφανίζουν την καλωδίωση για μια μόνο συστοιχία αποθήκευσης PowerVault σειρά MD3200i σε περιβάλλον SAN. Οι εικόνες εμφανίζουν επίσης μόνο τις προεπιλεγμένες διευθύνσεις IP για τη συστοιχία αποθήκευσης PowerVault σειρά MD3200i. Για την καλωδίωση περισσότερων της μιας συστοιχίας PowerVault σειρά MD3200i σε περιβάλλον SAN, ανατρέξτε στον *Οδηγό ανάπτυξης*.

# Συμπλήρωση του φύλλου iSCSI

## Ρυθμίσεις IPv4




Αν χρειάζεστε πρόσθετο χώρο για περισσότερους από έναν διακομιστές κεντρικού υπολογιστή, χρησιμοποιήστε πρόσθετο φύλλο.


<b>A</b> Στατική διεύθυνση IP (διακομιστής κεντρικού υπολογιστή)	Μάσκα υποδικτύου	Προεπιλεγμένη πύλη
iSCSI θύρα 1	___ . ___ . ___ . ___	___ . ___ . ___ . ___
iSCSI θύρα 2	___ . ___ . ___ . ___	___ . ___ . ___ . ___
iSCSI θύρα 3	___ . ___ . ___ . ___	___ . ___ . ___ . ___
iSCSI θύρα 4	___ . ___ . ___ . ___	___ . ___ . ___ . ___
Θύρα διαχείρισης	___ . ___ . ___ . ___	___ . ___ . ___ . ___


**ΣΗΜΕΙΩΣΗ:** Ο διακομιστής κεντρικού υπολογιστή μπορεί να υποστηρίξει έως και τέσσερα NIC.

<b>B</b> Στατική διεύθυνση IP (συστοιχία αποθήκευσης)	Μάσκα υποδικτύου	Προεπιλεγμένη πύλη
Ελεγκτής iSCSI 0, In 0	___ . ___ . ___ . ___	___ . ___ . ___ . ___
Ελεγκτής iSCSI 1, In 0	___ . ___ . ___ . ___	___ . ___ . ___ . ___
Ελεγκτής iSCSI 2, In 0	___ . ___ . ___ . ___	___ . ___ . ___ . ___
Ελεγκτής iSCSI 3, In 0	___ . ___ . ___ . ___	___ . ___ . ___ . ___
Θύρα διαχείρισης cntrl 0	___ . ___ . ___ . ___	___ . ___ . ___ . ___
Ελεγκτής iSCSI 1, In 0	___ . ___ . ___ . ___	___ . ___ . ___ . ___
Ελεγκτής iSCSI 1, In 1	___ . ___ . ___ . ___	___ . ___ . ___ . ___
Ελεγκτής iSCSI 2, In 1	___ . ___ . ___ . ___	___ . ___ . ___ . ___
Ελεγκτής iSCSI 3, In 1	___ . ___ . ___ . ___	___ . ___ . ___ . ___
Θύρα διαχείρισης cntrl 1	___ . ___ . ___ . ___	___ . ___ . ___ . ___

 **ΣΗΜΕΙΩΣΗ:** Για πληροφορίες σχετικά με το φύλλο IPv6, ανατρέξτε στον *Οδηγό ανάπτυξης*.

## Λοιπή τεκμηρίωση και μέσα που μπορεί να χρειαστείτε

 **ΠΡΟΕΙΔΟΠΟΙΗΣΗ:** Ανατρέξτε στις πληροφορίες σχετικά με την ασφάλεια και τους κανονισμούς που έχουν αποσταλεί με το σύστημά σας. Οι πληροφορίες για την εγγύηση ενδέχεται να συμπεριλαμβάνονται σε αυτό το έγγραφο ή να αποτελούν ξεχωριστό έγγραφο.

 **ΣΗΜΕΙΩΣΗ:** Όλα τα έγγραφα για το PowerVault σειρά MD3200i είναι διαθέσιμα στην τοποθεσία [support.dell.com/manuals](http://support.dell.com/manuals).

- Η τεκμηρίωση για τοποθέτηση σε rack που συνοδεύει τη δική σας λύση για τοποθέτηση σε rack περιγράφει τον τρόπο τοποθέτησης του συστήματός σας σε rack.
- Το *Εγχειρίδιο κατόχου* παρέχει πληροφορίες σχετικά με τα χαρακτηριστικά του συστήματος και περιγράφει την αντιμετώπιση προβλημάτων του συστήματός σας και την εγκατάσταση ή την επανατοποθέτηση εξαρτημάτων του συστήματος.
- Ο *Οδηγός ανάπτυξης* παρέχει πληροφορίες σχετικά με την εγκατάσταση και τη ρύθμιση του λογισμικού και του υλικού.

- Ο *Οδηγός CLI* παρέχει πληροφορίες σχετικά με τη χρήση της γραμμής εντολών (CLI) για τη ρύθμιση και τη διαχείριση της συστοιχίας αποθήκευσης.
- Ο *Οδηγός προγραμματιστή SMI-S* παρέχει πληροφορίες σχετικά με τη χρήση του παρόχου SMI-S και του προγραμματισμού SMI-S.
- Τυχόν δίσκοι CD/DVD που συνοδεύουν το σύστημά σας και παρέχουν τεκμηρίωση και εργαλεία για τη διαμόρφωση και τη διαχείριση του συστήματός σας, όπου συμπεριλαμβάνονται η τεκμηρίωση και τα εργαλεία για το λειτουργικό σύστημα, το λογισμικό διαχείρισης συστήματος, οι ενημερώσεις συστήματος και τα εξαρτήματα συστήματος που αγοράσατε μαζί με το σύστημά σας.



**ΣΗΜΕΙΩΣΗ:** Ελέγχετε πάντοτε για ενημερωμένες εκδόσεις στην τοποθεσία [support.dell.com/manuals](http://support.dell.com/manuals) και να διαβάσετε πρώτα τις ενημερωμένες εκδόσεις επειδή πολύ συχνά αντικαθιστούν τις πληροφορίες άλλων εγγράφων.

## Προετοιμασία του διακομιστή κεντρικού υπολογιστή

### Λειτουργικά συστήματα που υποστηρίζονται

- Microsoft Windows Server
- Red Hat Enterprise Linux
- SUSE Linux Enterprise Server
- VMware



**ΣΗΜΕΙΩΣΗ:** Για τις πιο πρόσφατες πληροφορίες σχετικά με όλες τις υποστηριζόμενες εκδόσεις λειτουργικού συστήματος, ανατρέξτε στην ενότητα *Support Matrix* στην τοποθεσία [support.dell.com/manuals](http://support.dell.com/manuals).

### Πρόσθετες κάρτες για iSCSI

Κατά την εγκατάσταση πρόσθετων καρτών δικτύου, συνιστώνται τα εξής:

- Να χρησιμοποιείτε ξεχωριστά εφεδρικά δίκτυα αποθήκευσης για κίνηση iSCSI. Αν δεν υπάρχει δυνατότητα για ξεχωριστό δίκτυο, απομονώστε την κίνηση iSCSI από τη γενική κίνηση δικτύου χρησιμοποιώντας εικονικά τοπικά δίκτυα (VLAN).

- Μπορείτε να χρησιμοποιήσετε πόρθσετες κάρτες δικτύου ειδικά για κίνηση iSCSI.
- Οι κάρτες δικτύου πρέπει να προστίθενται σε ζεύγη ώστε να υπάρχουν εφεδρικές (έως και τέσσερις κάρτες δικτύου).



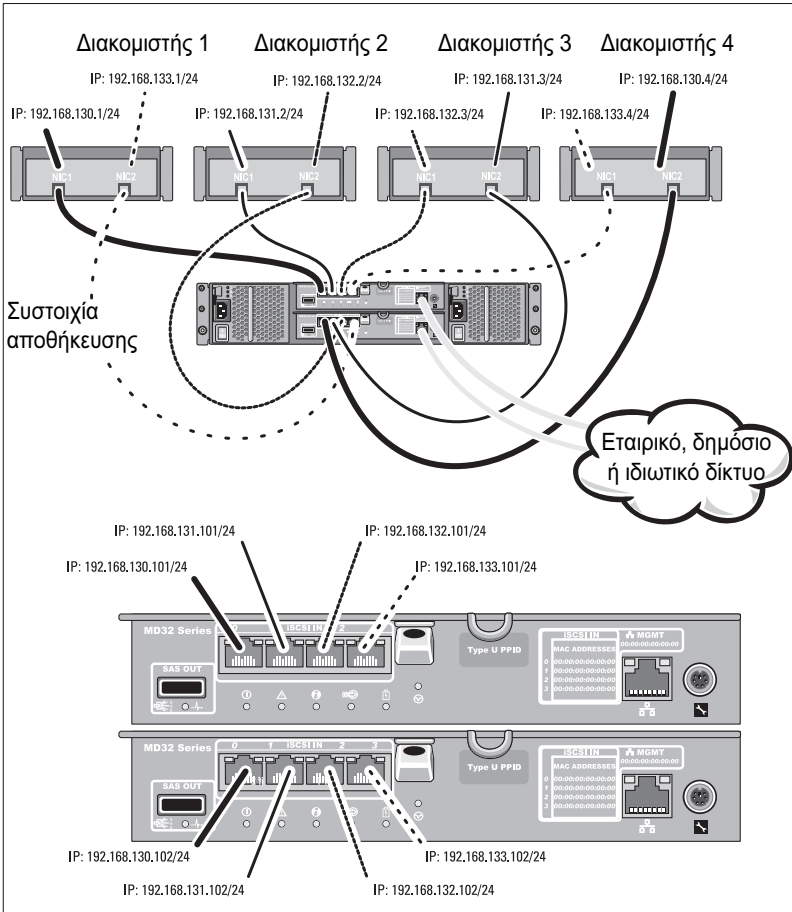
**ΣΗΜΕΙΩΣΗ:** Υποστηρίζεται επίσης και μονή κάρτα δικτύου.

## Ρύθμιση κάρτας δικτύου

Σε περιβάλλον SAN, ανάλογα με τον αριθμό των διακοπών, συνιστάται να χρησιμοποιείτε δύο ή τέσσερα μοναδικά υποδίκτυα για κίνηση iSCSI. Για άμεσα συνδεδεμένα περιβάλλοντα αποθήκευσης, κάθε κάρτα δικτύου που συνδέεται απευθείας με τη συστοιχεία αποθήκευσης PowerVault σειρά MD3200i θα πρέπει να βρίσκεται σε ξεχωριστό υποδίκτυο.

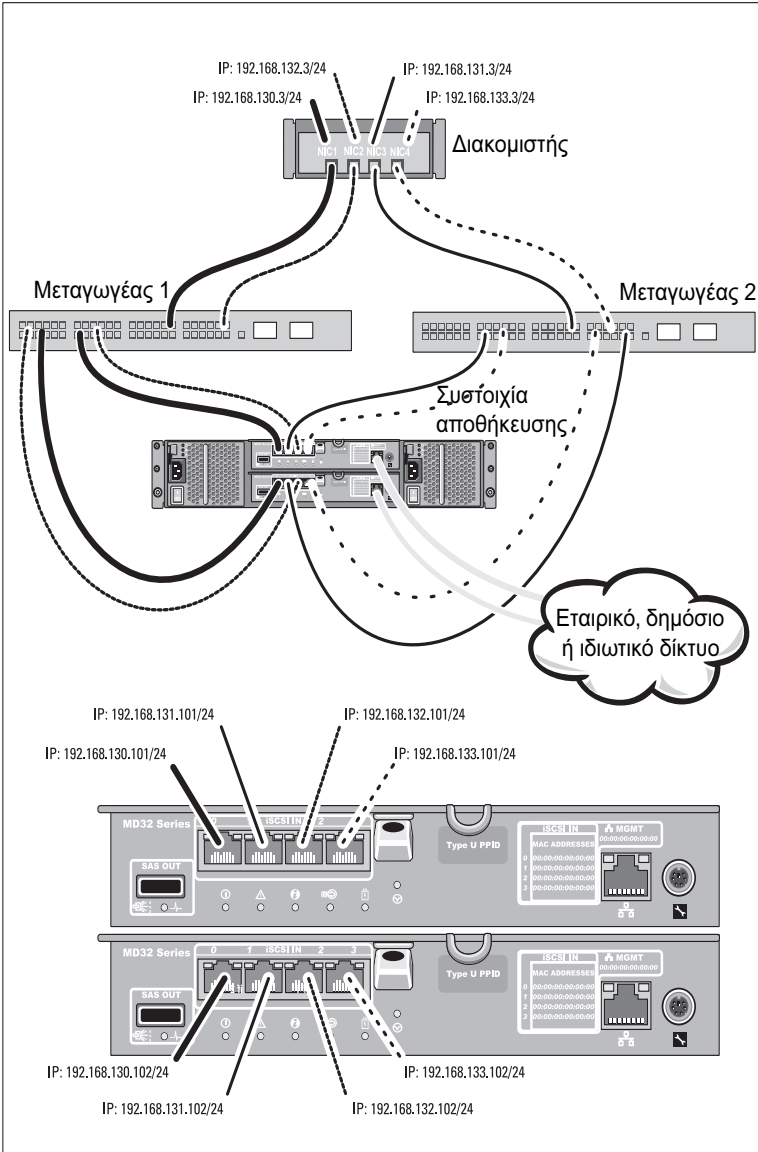
# Συνηθισμένες διαμορφώσεις

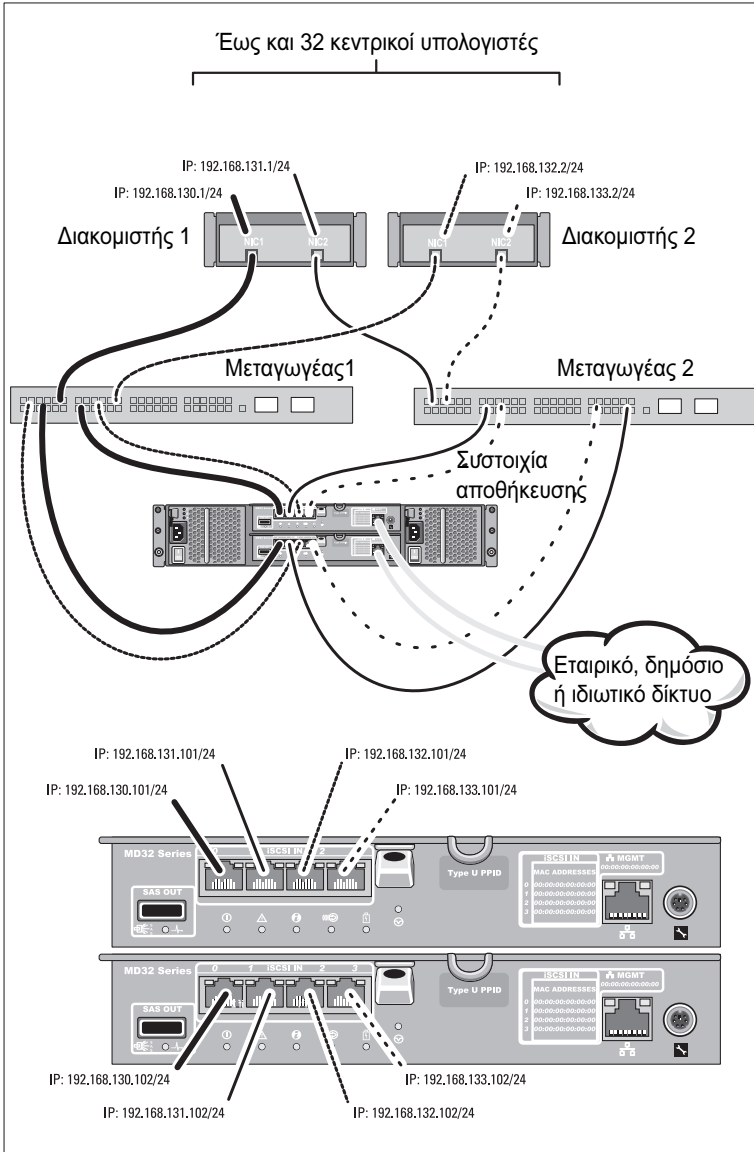
## Καλωδίωση των άμεσα συνδεδεμένων διακομιστών






## Καλωδίωση των διακομιστών με σύνδεση SAN





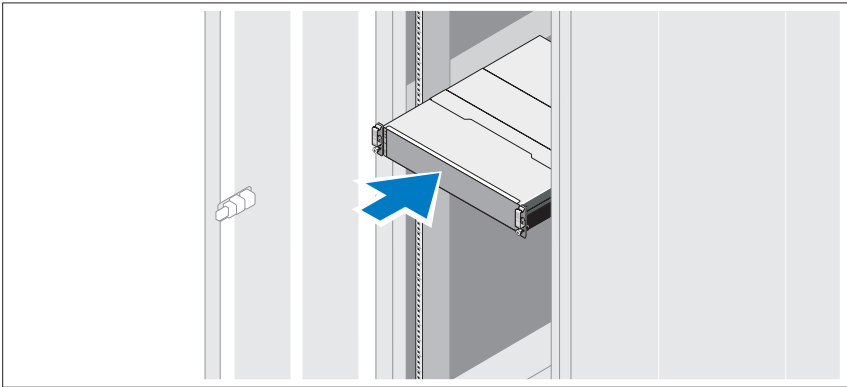
# Εγκατάσταση και διαμόρφωση

 **ΠΡΟΕΙΔΟΠΟΙΗΣΗ:** Πρωτού εκτελέσετε την παρακάτω διαδικασία, συμβουλευθείτε τις οδηγίες ασφάλειας που συνοδεύουν το σύστημά σας.


## Άνοιγμα της συσκευασίας του συστήματος

Ανοίξτε τη συσκευασία του συστήματος σας και αναγνωρίστε κάθε στοιχείο βάσει της λίστας περιεχομένων που στάλθηκε μαζί με το σύστημά σας.

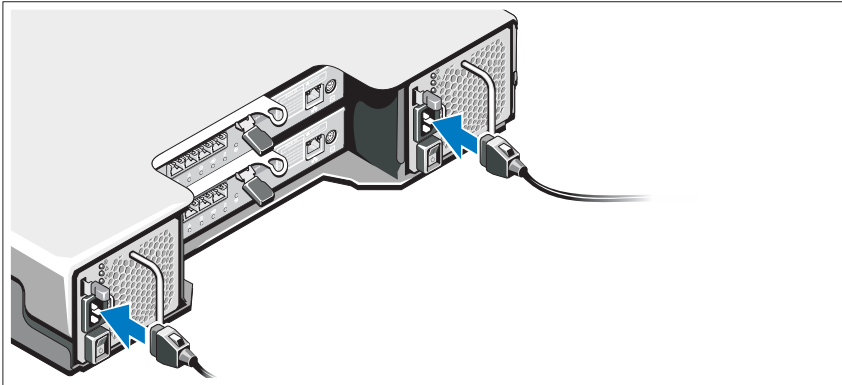
## Τοποθέτηση των ραγών και του συστήματος σε rack



Συναρμολογήστε τις ράγες και εγκαταστήστε το σύστημα σε rack σύμφωνα με τις οδηγίες ασφάλειας και τις οδηγίες εγκατάστασης σε rack που παρέχονται με το σύστημά σας.

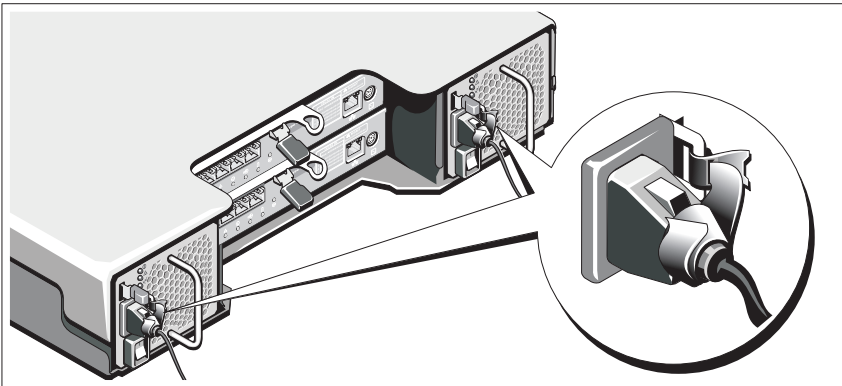
 **ΣΗΜΕΙΩΣΗ:** Προκειμένου να εξισορροπηθεί το φορτίο βάρους, συνιστάται να εγκαταστήσετε τη συστοιχία αποθήκευσης PowerVault σειρά MD3200i στο κάτω μέρος του rack και τα κουτιά επέκτασης σειράς PowerVault MD1200 πάνω από αυτό.

## Σύνδεση των καλωδίων τροφοδοσίας



Βεβαιωθείτε ότι ο διακόπτης τροφοδοσίας είναι στη θέση OFF πριν συνδέσετε τα καλώδια τροφοδοσίας ρεύματος. Συνδέστε τα καλώδια τροφοδοσίας στο σύστημα.

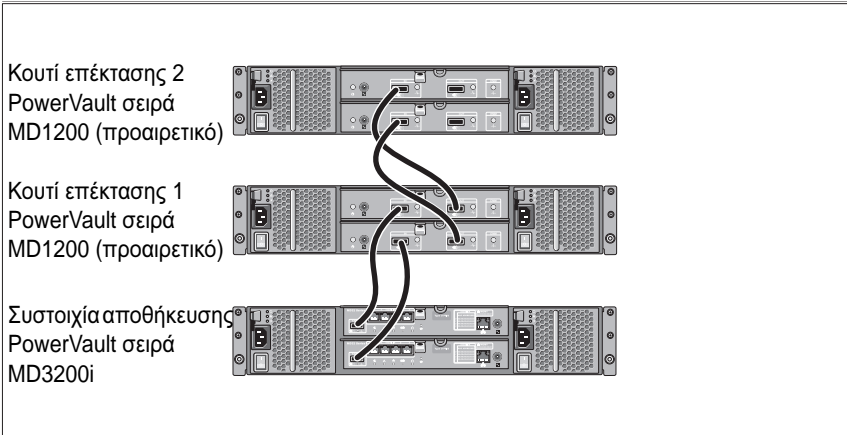
## Ασφάλιση των καλωδίων τροφοδοσίας



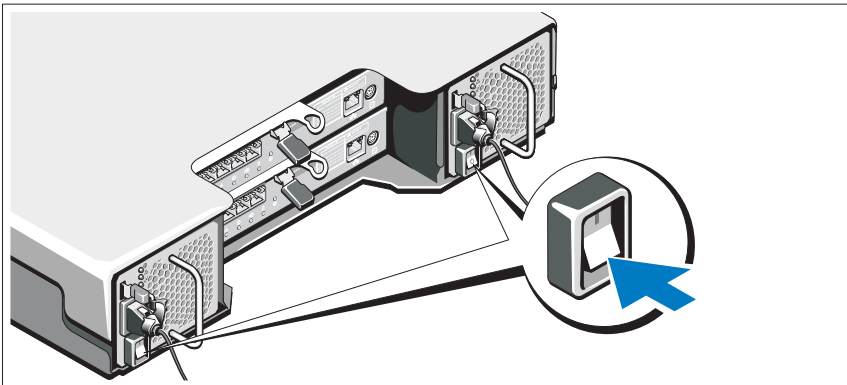
Ασφαλίστε τα καλώδια τροφοδοσίας σταθερά στο στήριγμα χρησιμοποιώντας την παρεχόμενη ταινία.

Βάλτε το φινι των καλωδίων ρεύματος σε γειωμένη πρίζα ή ξεχωριστή πηγή ρεύματος όπως π.χ. συσκευή αδιάλειπτης παροχής ρεύματος (UPS) ή μονάδα διανομής ρεύματος (PDU). Κάθε τροφοδοτικό θα πρέπει να συνδέεται σε ξεχωριστό ηλεκτρικό κύκλωμα.



## Καλωδίωση του κουτιού επέκτασης



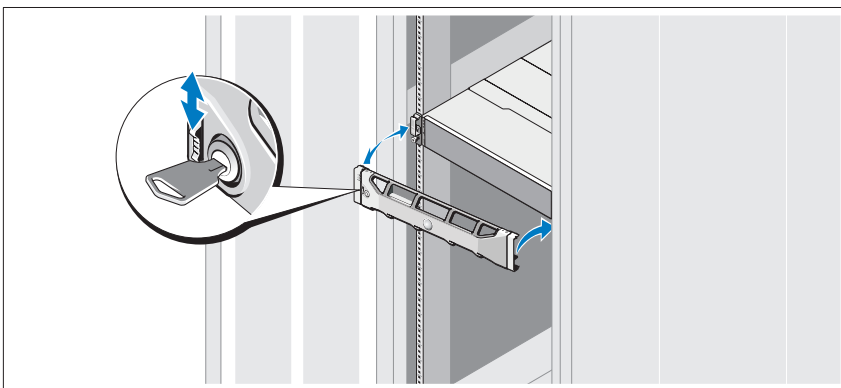
## Ενεργοποίηση του κουτιού



Ενεργοποιήστε τα εξαρτήματα με την εξής σειρά


- 1 Μεταγωγείς Ethernet (αν χρησιμοποιούνται).
- 2 Κουτιά επέκτασης PowerVault σειρά MD1200 (αν χρησιμοποιούνται).  
 **ΣΗΜΕΙΩΣΗ:** Πριν την ενεργοποίηση της συστοιχίας αποθήκευσης, βεβαιωθείτε ότι η λυχνία LED κατάστασης του κουτιού επέκτασης είναι μπλε.
- 3 Συστοιχία αποθήκευσης PowerVault σειρά MD3200i.  
 **ΣΗΜΕΙΩΣΗ:** Πριν ενεργοποιήσετε τον διακομιστή κεντρικού υπολογιστή, βεβαιωθείτε ότι η λυχνία LED κατάστασης της συστοιχίας αποθήκευσης είναι μπλε.
- 4 Διακομιστής(ές) κεντρικού υπολογιστή.

## Εγκατάσταση του πλαισίου



Τοποθετήστε το πλαίσιο (προαιρετικά).

## Εγκατάσταση του λογισμικού αποθήκευσης MD

-  **ΣΗΜΕΙΩΣΗ:** Για λεπτομερείς οδηγίες σχετικά με την εγκατάσταση λογισμικού αποθήκευσης MD, τη ρύθμιση του κουτιού και τις εργασίες μετά την εγκατάσταση, ανατρέξτε στον *Οδηγό ανάπτυξης*.

Το λογισμικό MD Storage Manager ρυθμίζει, διαχειρίζεται και παρακολουθεί τη συστοιχία αποθήκευσης. Το MD Configuration Utility (MDCU) είναι ένα προαιρετικό βοηθητικό πρόγραμμα που παρέχει μια ενοποιημένη προσέγγιση για τη ρύθμιση των θυρών διαχείρισης, των θυρών κεντρικού υπολογιστή iSCSI και τη δημιουργία περιόδων λειτουργίας για τις σύνθετες συστοιχίες αποθήκευσης δίσκου iSCSI. Συνιστάται η χρήση του MDCU προκειμένου να ρυθμίσετε το iSCSI σε κάθε κεντρικό υπολογιστή που συνδέεται στη συστοιχία αποθήκευσης. Για να εγκαταστήσετε το λογισμικό αποθήκευσης MD:

**1** Τοποθετήστε το μέσο πόρων της σειράς MD.

Ανάλογα με το λειτουργικό σας σύστημα, το πρόγραμμα εγκατάστασης μπορεί να ξεκινήσει αυτόματα. Αν το πρόγραμμα εγκατάστασης δεν ξεκινήσει αυτόματα, πλοηγηθείτε στο ριζικό κατάλογο του μέσου εγκατάστασης (ή κατεβάστε ένα αντίγραφο του προγράμματος εγκατάστασης) και εκτελέστε το αρχείο **md\_launcher.exe**. Σε συστήματα με Linux, περιηγηθείτε στον γονικό κατάλογο του μέσου πόρων και εκτελέστε το αρχείο **autorun**.



**ΣΗΜΕΙΩΣΗ:** Από προεπιλογή, το Red Hat Enterprise Linux μοντάρει το μέσο πόρων με την επιλογή μονταρίσματος **-noexec** η οποία δεν επιτρέπει την εκτέλεση εκτελέσιμων αρχείων. Για να αλλάξετε αυτή τη ρύθμιση, ανατρέξτε στο αρχείο **Readme** στο ριζικό κατάλογο του μέσου εγκατάστασης.

**2** Επιλέξτε **Install MD Storage Software** (Εγκατάσταση λογισμικού αποθήκευσης MD).

**3** Διαβάστε και αποδεχτείτε την άδεια χρήσης.

**4** Επιλέξτε μία από τις παρακάτω επιλογές εγκατάστασης από το αναπτυσσόμενο μενού **Install Set** (Σύνολο εγκατάστασης):

- **Full (recommended)**—Εγκαθιστά το λογισμικό MD Storage Manager (πρόγραμμα-πελάτης), τον παράγοντα αποθήκευσης host-based, πρόγραμμα οδήγησης πολλαπλών διαδρομών και παροχές υλικού.
- **Host Only**—Εγκαθιστά μόνο τον παράγοντα αποθήκευσης host-based και προγράμματα οδήγησης πολλαπλών διαδρομών.
- **Management**—Εγκαθιστά το λογισμικό διαχείρισης και τους παροχές υλικού.
- **Custom**—Σας επιτρέπει να επιλέξετε συγκεκριμένα στοιχεία.

- 5 Επιλέξτε το μοντέλο ή τα μοντέλα συστοιχίας αποθήκευσης MD που ρυθμίζετε για να λειτουργήσουν ως μέσα αποθήκευσης δεδομένων για τον συγκεκριμένο διακομιστή κεντρικού υπολογιστή.
- 6 Επιλέξτε αν η υπηρεσία παρακολούθησης συμβάντων θα ξεκινάει αυτόματα με την εκκίνηση του διακομιστή κεντρικού υπολογιστή ή μη αυτόματα



**ΣΗΜΕΙΩΣΗ:** Η επιλογή αυτή ισχύει μόνο για εγκατάσταση λογισμικού πελάτη Windows.

- 7 Επιβεβαιώστε τη θέση της εγκατάστασης και κάντε κλικ στο **Install** (Εγκατάσταση).
- 8 Εάν σας ζητηθεί, επανεκκινήστε το διακομιστή κεντρικού υπολογιστή μόλις ολοκληρωθεί η εγκατάσταση.
- 9 Όταν ολοκληρωθεί η επανεκκίνηση, το MDCU μπορεί να ξεκινήσει αυτόματα. Αν το MDCU δεν ξεκινήσει αυτόματα, ξεκινήστε το εσείς.
  - Σε λειτουργικό σύστημα Windows, κάντε κλικ στο **Start** (Εναρξη)→ **Dell**→ **Modular Disk Configuration Utility**.
  - Σε λειτουργικό σύστημα Linux, κάντε διπλό κλικ στο εικονίδιο **Modular Disk Configuration Utility** στην επιφάνεια εργασίας.



**ΣΗΜΕΙΩΣΗ:** Αν το MDCU δεν είναι εγκατεστημένο, ανατρέξτε στον *Οδηγό ανάπτυξης* στη διεύθυνση [support.dell.com/manuals](http://support.dell.com/manuals).

- 10 Ξεκινήστε το **MD Storage Manager** και βρείτε τη συστοιχία(ες).
- 11 Εάν χρειάζεται, ενεργοποιήστε τυχόν premium δυνατότητες που αγοράσατε μαζί με τη συστοιχία αποθήκευσης. Εάν αγοράσατε premium δυνατότητες, ανατρέξτε στην έντυπη κάρτα ενεργοποίησης που αποστάλθηκε μαζί με τη συστοιχία αποθήκευσής σας.

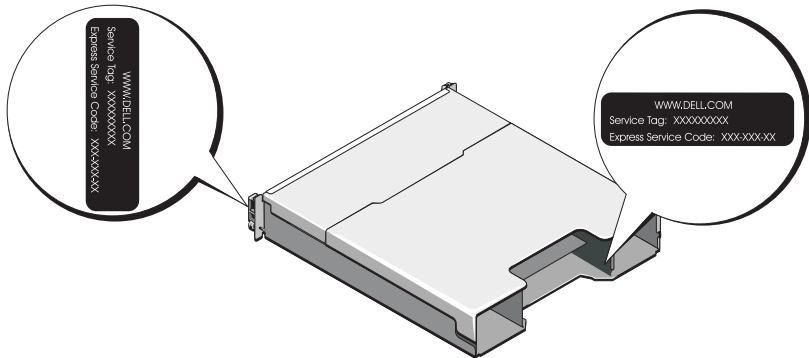


**ΣΗΜΕΙΩΣΗ:** Το πρόγραμμα εγκατάστασης του **MD Storage Manager** εγκαθιστά αυτόματα τα απαιτούμενα προγράμματα οδήγησης, υλικολογισμικό και ενημερώσεις κώδικα/άμεσες επιδιορθώσεις λειτουργικού συστήματος για τη λειτουργία της συστοιχίας αποθήκευσής σας. Αυτά τα προγράμματα οδήγησης και το υλικολογισμικό είναι επίσης διαθέσιμα στη διεύθυνση [support.dell.com](http://support.dell.com). Επιπλέον, ανατρέξτε στο *Support Matrix* στη διεύθυνση [support.dell.com/manuals](http://support.dell.com/manuals) για πρόσθετες ρυθμίσεις ή/και λογισμικό που απαιτείται για τη συγκεκριμένη συστοιχία αποθήκευσης.



## Εύρεση της ετικέτας εξυπηρέτησης

Το σύστημά σας αναγνωρίζεται από έναν μοναδικό κωδικό ταχείας εξυπηρέτησης και έναν αριθμό ετικέτας εξυπηρέτησης. Ο κωδικός ταχείας εξυπηρέτησης και η ετικέτα εξυπηρέτησης βρίσκονται στην μπροστινή αλλά και στην πίσω πλευρά του συστήματος δίπλα στις μονάδες ελεγκτή RAID. Οι πληροφορίες αυτές χρησιμοποιούνται από την Dell για την προώθηση κλήσεων υποστήριξης στο κατάλληλο προσωπικό.



## Πληροφορίες NOM (Μόνο για Μεξικό)

Οι παρακάτω πληροφορίες παρέχονται για τη συσκευή που περιγράφεται στο παρόν έγγραφο, σύμφωνα με τις προδιαγραφές των επίσημων προτύπων του Μεξικού (NOM):

Εισαγωγέας:	Dell Inc. de Mexico, S.A. de C.V. Paseo de la Reforma 2620 - 11° Piso Col. Lomas Altas 11950 Mexico, D.F.
Αριθμός μοντέλου:	E03J και E04J
Τάση παροχής:	100–240 V CA
Συχνότητα:	50/60 Hz
Κατανάλωση ρεύματος:	8,6 A

# Τεχνικές προδιαγραφές

---

## Μονάδες δίσκων

---

PowerVault MD3200i Έως και δώδεκα σκληροί δίσκοι άμεσης σύνδεσης SAS 3,5 ιντσών (3,0 Gbps και 6,0 Gbps)

PowerVault MD3220i Έως και εικοσιτέσσερις σκληροί δίσκοι άμεσης σύνδεσης SAS 2,5 ιντσών (3,0 Gbps και 6,0 Gbps)

---

## Μονάδες ελεγκτή RAID

---

Μονάδες ελεγκτή RAID

- Μια ή δύο μονάδες με δυνατότητα άμεσης σύνδεσης με αισθητήρες θερμοκρασίας
- 2 GB μνήμης cache ανά ελεγκτή

---

## Πίσω θύρες (ανά μονάδα ελεγκτή RAID)

---

Θύρες iSCSI Τέσσερις θύρες 1 GB iSCSI IN για τη σύνδεση κεντρικών υπολογιστών

Θύρα επέκτασης SAS Μία θύρα SAS OUT για επέκταση σε πρόσθετο κουτί PowerVault σειράς MD1200.

**ΣΗΜΕΙΩΣΗ:** Οι θύρες SAS είναι συμβατές με το SFF-8088.

Σειριακή θύρα Μία θύρα 6 ακίδων mini-DIN

**ΣΗΜΕΙΩΣΗ:** Μόνο για χρήση κατά την τεχνική υποστήριξη.

Θύρα διαχείρισης Ethernet Μία θύρα Ethernet 100/1000 Base-T για εξερχόμενη διαχείριση του κουτιού

**ΣΗΜΕΙΩΣΗ:** Οι προεπιλεγμένες διεύθυνσεις IP διαχείρισης θύρας για την κύρια και τη δευτερεύουσα μονάδα ελεγκτή RAID είναι 192.168.128.101 και 192.168.128.102, αντίστοιχα. Από προεπιλογή, οι θύρες διαχείρισης είναι ρυθμισμένες σε Dynamic Host Configuration Protocol (DHCP). Εάν ο ελεγκτής δεν μπορέσει να λάβει διαμόρφωση διεύθυνσης IP από ένα διακομιστή DHCP εντός ενός καθορισμένου χρονικού διαστήματος (περίπου 3 λεπτά), επιστρέφει στη χρήση στατικής διεύθυνσης IP. Για περισσότερες πληροφορίες, ανατρέξτε στον *Οδηγό ανάπτυξης*.

---

## Επέκταση

---

PowerVault σειρά MD1200

Υποστηρίζει το πολύ 192 σκληρούς δίσκους με οποιοδήποτε συνδυασμό κουτιών επέκτασης PowerVault MD1200 ή PowerVault MD1220. Η υποστήριξη για 192 σκληρούς δίσκους είναι premium δυνατότητα και απαιτεί ενεργοποίηση. Ο μέγιστος αριθμός σκληρών δίσκων που υποστηρίζεται χωρίς τη χρήση της premium δυνατότητας είναι 120.

Η συνδεσιμότητα εφεδρικής διαδρομής παρέχει εφεδρικές διαδρομές δεδομένων σε κάθε μονάδα σκληρού δίσκου.

---

## Πίσω πλευρά

---

Θύρες

- 12 ή 24 θύρες SAS σκληρού δίσκου
- Δύο θύρες τροφοδοτικών/ανεμιστήρα ψύξης
- Δύο σετ θυρών μονάδας ελεγκτή RAID
- Μία θύρα πίνακα ελέγχου για τις μπροστινές φωτεινές ενδείξεις LED και διακόπτης κατάστασης λειτουργίας κουτιού

Αισθητήρες

Δύο αισθητήρες θερμοκρασίας

---

## Λυχνίες LED

---

Μπροστινό μέρος

- Μία δίχρωμη λυχνία LED για την κατάσταση του συστήματος
- Δύο μονόχρωμες λυχνίες LED για την τροφοδοσία και τη λειτουργία κουτιού

**ΣΗΜΕΙΩΣΗ:** Η λυχνία LED λειτουργίας κουτιού δεν ισχύει για τη συστοιχία αποθήκευσης PowerVault σειρά MD3200i.

Θήκη μονάδας σκληρού δίσκου

- Μία μονόχρωμη λυχνία LED για τη δραστηριότητα
- Μία δίχρωμη λυχνία LED για την κατάσταση ανά μονάδα δίσκου

Τροφοδοτικό/ανεμιστήρας ψύξης

Τρεις λυχνίες LED για την κατάσταση της παροχής τροφοδοσίας, για σφάλμα στην παροχή τροφοδοσίας/ανεμιστήρα και για την κατάσταση AC

---

## Λυχνίες LED (συνέχεια)

---

Μονάδα ελεγκτή RAID	Τέσσερις μονόχρωμες λυχνίες LED: <ul style="list-style-type: none"><li>• Μία για σφάλμα μπαταρίας</li><li>• Μία για ενεργή μνήμη cache</li><li>• Μία για σφάλμα ελεγκτή</li><li>• Μία για τροφοδοσία ελεγκτή</li><li>• Μία για αναγνώριση συστήματος</li><li>• Μία για δραστηριότητα διαχείρισης Ethernet</li><li>• Δραστηριότητα θυρών τεσσάρων iSCSI IN</li></ul> Έξι δίχρωμες λυχνίες LED: <ul style="list-style-type: none"><li>• Ταχύτητα σύνδεσης τεσσάρων iSCSI IN</li><li>• Μία για σύνδεση ή σφάλμα SAS OUT</li><li>• Μία για ταχύτητα σύνδεσης διαχείρισης Ethernet</li></ul>
---------------------	---

---

## Διακόπτης

---

Κουμπί αναγνώρισης συστήματος	Βρίσκεται στον εμπρόσθιο πίνακα ελέγχου. Αυτό το κουμπί χρησιμοποιείται για να εντοπίσει ένα σύστημα σε ένα rack.
Διακόπτης λειτουργίας κουτιού	Στην μπροστινή πλευρά του συστήματος. Ο διακόπτης αυτός δεν υπάρχει στη συστοιχία αποθήκευσης PowerVault σειρά MD3600f.
Διακόπτης επαναφοράς κωδικού πρόσβασης	Στην πίσω πλευρά της μονάδας ελεγκτή RAID. Ο διακόπτης αυτός χρησιμοποιείται για την επαναφορά του κωδικού πρόσβασης της συστοιχίας αποθήκευσης.

---

## Τροφοδοτικά

---

Τροφοδοσία AC (ανά παροχή τροφοδοσίας)	
Ισχύς σε watt	600 W
Τάση	100–240 VAC (8,6 A–4,3 A)
Έκλυση θερμότητας	100 W

---

**Τροφοδοτικά (συνέχεια)**

---

Μέγιστο ρεύμα εισροής	Κάτω από τυπικές συνθήκες γραμμής και πάνω από την περιοχή λειτουργίας περιβάλλοντος ολόκληρου του συστήματος, το ρεύμα εισροής μπορεί να αγγίξει το πολύ τα 55 A ανά παροχή τροφοδοσίας για 10 ms ή λιγότερο.
-----------------------	--

---

**Διαθέσιμη τροφοδοσία σκληρού δίσκου (ανά υποδοχή)**

---

PowerVault MD3200i	25 W
PowerVault MD3220i	12 W

---

**Ισχύς μονάδας ελεγκτή RAID (ανά υποδοχή)**

---

Μέγιστη κατανάλωση ισχύος	100 W
---------------------------	-------

---

**Φυσικά χαρακτηριστικά**

---

**PowerVault MD3200i**

Ύψος	8,68 mm
Πλάτος	44,63 mm
Βάθος	60,20 cm
Βάρος (μέγιστη διαμόρφωση)	29,30 kg
Βάρος (κενό)	8,84 kg

**PowerVault MD3220i**

Ύψος	8,68 mm
Πλάτος	44,63 mm
Βάθος	54,90 mm
Βάρος (μέγιστη διαμόρφωση)	24,22 kg
Βάρος (κενό)	8,61 kg

---

## Χαρακτηριστικά περιβάλλοντος

---

**ΣΗΜΕΙΩΣΗ:** Για επιπλέον πληροφορίες σχετικά με τις περιβαλλοντικές μετρήσεις για συγκεκριμένες διαμορφώσεις συστήματος, επισκεφτείτε τη διεύθυνση [www.dell.com/environmental\\_datasheets](http://www.dell.com/environmental_datasheets).

### Θερμοκρασία

Κατά τη λειτουργία 10 °C έως 35 °C, με μέγιστο ρυθμό μεταβολής της θερμοκρασίας τους 10 °C ανά ώρα

**ΣΗΜΕΙΩΣΗ:** Για υψόμετρο άνω των 900 μέτρων, η μέγιστη θερμοκρασία λειτουργίας ελαττώνεται ονομαστικά κατά 7°C ανά 168 μέτρα.

Κατά την αποθήκευση από -40° έως 65°C, με μέγιστο ρυθμό μεταβολής της θερμοκρασίας τούς 20°C ανά ώρα

### Σχετική υγρασία

Κατά τη λειτουργία 20% έως 80% (χωρίς συμπύκνωση) με μέγιστο ρυθμό μεταβολής της υγρασίας 10% ανά ώρα

Κατά την αποθήκευση 5% έως 95% (χωρίς συμπύκνωση)

### Μέγιστη ταλάντευση

Κατά τη λειτουργία 0,25 G στα 3–200 Hz για 15 λεπτά

Κατά την αποθήκευση 0,5 G στα 3–200 Hz για 15 λεπτά

### Μέγιστη δόνηση

Κατά τη λειτουργία Ένας παλμός δόνησης στο θετικό τμήμα του άξονα z (ένας παλμός σε κάθε πλευρά του συστήματος) των 31 G για έως και 2,6 ms προς τις κατευθύνσεις λειτουργίας

Κατά την αποθήκευση Έξι διαδοχικά εκτελεσμένοι παλμοί δόνησης στο θετικό και αρνητικό τμήμα των αξόνων x, y και z (ένας παλμός σε κάθε πλευρά του συστήματος) των 71 G για έως και 2 ms

---

## Χαρακτηριστικά περιβάλλοντος (συνέχεια)

---

### Υψόμετρο

Κατά τη λειτουργία από -16 έως 3.048 μέτρα

**ΣΗΜΕΙΩΣΗ:** Για υψόμετρο άνω των 900 μέτρων, η μέγιστη θερμοκρασία λειτουργίας ελαττώνεται ονομαστικά κατά 7°C ανά 168 μέτρα.

Κατά την αποθήκευση από -16 έως 10.600 μέτρα

### Επίπεδα ρύπων στην ατμόσφαιρα

Κατηγορία G1, όπως ορίζεται από το ISA-S71.04-1985





Macierze pamięci masowej  
Dell PowerVault MD3200i  
i MD3220i

Rozpoczęcie  
pracy z systemem

Dotyczy modeli E03J i E04J



# Uwagi, przestrogi i ostrzeżenia



**UWAGA:** Napis UWAGA oznacza ważną wiadomość, która pomoże lepiej wykorzystać komputer.



**PRZESTROGA:** Napis PRZESTROGA wskazuje na ryzyko uszkodzenia sprzętu lub utraty danych w razie nieprzestrzegania instrukcji.



**OSTRZEŻENIE:** Napis OSTRZEŻENIE informuje o sytuacjach, w których występuje ryzyko uszkodzenia mienia, odniesienia obrażeń ciała lub śmierci.

---

**Informacje zawarte w tym dokumencie mogą zostać zmienione bez uprzedzenia.**

© 2011 Dell Inc. Wszelkie prawa zastrzeżone.

Powielanie tych materiałów w jakiegokolwiek formie bez pisemnej zgody firmy Dell Inc. jest surowo zabronione.

Znaki towarowe użyte w tym tekście: Dell™, logo DELL i PowerVault™ są znakami towarowymi firmy Dell Inc. Microsoft® oraz Windows Server® są znakami towarowymi lub zarejestrowanymi znakami towarowymi firmy Microsoft Corporation w Stanach Zjednoczonych i/lub innych krajach. Red Hat® oraz Red Hat Enterprise Linux® są zarejestrowanymi znakami towarowymi firmy Red Hat, Inc. w Stanach Zjednoczonych i innych krajach. SUSE® jest zarejestrowanym znakiem towarowym firmy Novell, Inc. w Stanach Zjednoczonych i innych krajach. VMware® jest zarejestrowanym znakiem towarowym firmy VMware, Inc. w Stanach Zjednoczonych i/lub innych jurysdykcjach.

W niniejszym dokumencie mogą zostać także użyte inne znaki towarowe i nazwy handlowe w odniesieniu do podmiotów posiadających prawa do znaków i nazw lub do ich produktów. Firma Dell Inc. nie rości sobie żadnych praw do znaków towarowych i nazw handlowych innych niż jej własne.

Dotyczy modeli E03J i E04J

2011 - 08    Nr ref. J26CK    Wer. A02

## Zanim zaczniesz



**UWAGA:** Termin macierz pamięci masowej Dell PowerVault MD3200i, używany w niniejszej dokumentacji, odnosi się zarówno do modelu Dell PowerVault MD3200i, jak i Dell PowerVault MD3220i. Podobnie termin Dell PowerVault MD1200 odnosi się zarówno do modelu Dell PowerVault MD1200, jak i Dell PowerVault MD1220.

Przed konfiguracją macierzy pamięci masowej Dell PowerVault MD3200i należy wziąć pod uwagę najlepsze praktyki, aby zapewnić maksymalną wydajność i pełną nadmiarowość macierzy pamięci masowej (w razie potrzeby).

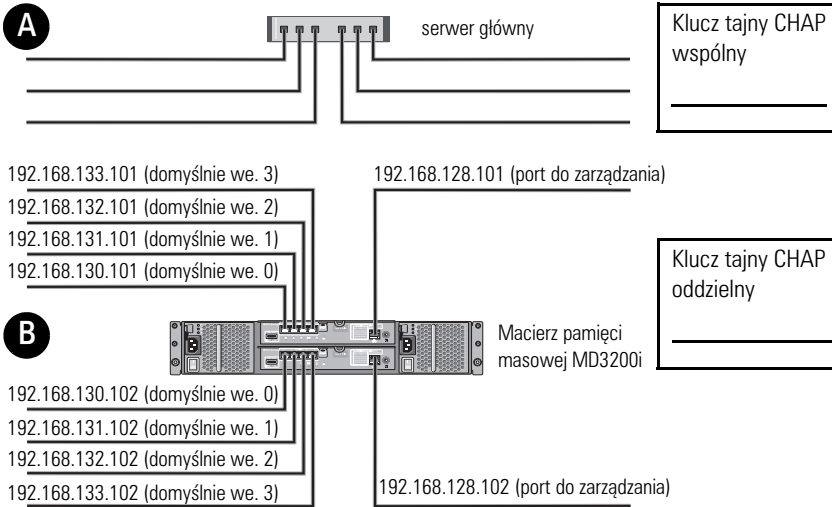
- Zaleca się używanie dedykowanej sieci SAN do przesyłania danych w sieci iSCSI. Ruch w sieci do zarządzania może być odizolowany za pomocą oddzielnej sieci do zarządzania.
- Przed konfiguracją sieci iSCSI należy wypełnić arkusz konfiguracji iSCSI. Zobacz Wypełnianie arkusza iSCSI na stronie 114. Arkusz pozwala gromadzić w jednym miejscu informacje o sieci fizycznej.
- Po wypełnieniu arkusza iSCSI należy rozrysować konfigurację przed przygotowaniem właściwego rozwiązania.
- Zawsze należy konfigurować nadmiarowe ścieżki danych iSCSI, aby zapewnić alternatywne ścieżki do i z serwera głównego w razie awarii jednej z głównych ścieżek danych.
- Jeśli host został wyposażony w kilka kart sieciowych, zaleca się korzystanie z różnych podsieci do zarządzania i przesyłania danych w sieci iSCSI.
- Zaleca się stosowanie kabla kategorii 5e (lub wyższej) w całej sieci Ethernet.
- Przed podłączeniem kabli między serwerem głównym i macierzą pamięci masowej należy sprawdzić etykiety poszczególnych portów i złączy.
- Zawsze należy przestrzegać odpowiednich procedur włączania i wyłączania zasilania w całej sieci. Najważniejsze elementy sieci należy podłączać do różnych obwodów zasilania.



**UWAGA:** Rysunki w niniejszym dokumencie przedstawiają połączenia tylko dla jednej macierzy pamięci masowej PowerVault MD3200i w środowisku SAN. Na rysunkach przedstawiono również wyłącznie domyślne adresy IP dla macierzy pamięci masowej PowerVault MD3200i. Aby podłączyć więcej niż jedną macierz pamięci masowej PowerVault MD3200i w środowisku SAN, należy zapoznać się z *Podręcznikiem wdrożeniowym*.


# Wypełnianie arkusza iSCSI

## Ustawienia IPv4




*W razie potrzeby można użyć dodatkowego arkusza dla kolejnego serwera głównego.*


<b>A</b> Statyczny adres IP (serwer główny)	Maska podsieci	Brama domyślna
Port iSCSI 1	_____	_____
Port iSCSI 2	_____	_____
Port iSCSI 3	_____	_____
Port iSCSI 4	_____	_____
Port do zarządzania	_____	_____

 **UWAGA:** Serwer główny obsługuje do czterech kart sieciowych (NIC).

<b>B</b> Statyczny adres IP (macierz pamięci masowej)	Maska podsieci	Brama domyślna
iSCSI kontroler 0, we. 0	_____	_____
iSCSI kontroler 0, we. 1	_____	_____
iSCSI kontroler 0, we. 2	_____	_____
iSCSI kontroler 0, we. 3	_____	_____
Port do zarządzania, kontroler 0	_____	_____
iSCSI kontroler 1, we. 0	_____	_____
iSCSI kontroler 1, we. 1	_____	_____
iSCSI kontroler 1, we. 2	_____	_____
iSCSI kontroler 1, we. 3	_____	_____
Port do zarządzania, kontroler 1	_____	_____

 **UWAGA:** Więcej informacji o arkuszu IPv6 można znaleźć w *Podręczniku wdrożeniowym*.

## Pozostała dokumentacja i wymagane nośniki

 **OSTRZEŻENIE:** Zobacz uwagi dotyczące bezpieczeństwa i przepisów prawnych w dokumencie dostarczonym wraz z systemem. Informacje dotyczące gwarancji mogą zostać zamieszczone w tym dokumencie lub dostarczone jako oddzielny dokument.

 **UWAGA:** Dokumentację dotyczącą macierzy pamięci masowej PowerVault MD3200i można znaleźć na stronie [support.dell.com/manuals](http://support.dell.com/manuals).

- Dokumentacja dołączona do stojaka przedstawia sposób montowania w nim systemu.
- *Podręcznik użytkownika* zawiera informacje o funkcjach systemu i opis sposobów rozwiązywania problemów zaistniałych podczas użytkowania systemu, a także instrukcje dotyczące instalacji lub wymiany elementów systemu.
- *Podręcznik wdrożeniowy* zawiera informacje o instalacji oraz konfiguracji oprogramowania i sprzętu.
- *Podręcznik CLI* zawiera informacje o korzystaniu z interfejsu wiersza poleceń (CLI - Command Line Interface) do konfiguracji i zarządzania macierzą pamięci masowej.

- *Podręcznik programisty SMI-S* zawiera informacje o korzystaniu z usługi SMI-S i programowaniu SMI-S.
- Wszystkie nośniki dostarczone z systemem zawierające dokumentację i narzędzia do konfiguracji systemu oraz zarządzania nim, w tym te, które dotyczą systemu operacyjnego, oprogramowania do zarządzania systemem, uaktualnienia systemu oraz elementów nabytych wraz z systemem.



**UWAGA:** Należy zawsze sprawdzać, czy na stronie [support.dell.com/manuals](http://support.dell.com/manuals) pojawiły się aktualizacje, i zapoznawać się z nimi w pierwszej kolejności, ponieważ informacje w nich zawarte zastępują informacje z innych dokumentów.

## Przygotowanie serwera głównego

### Obsługiwane systemy operacyjne

- Microsoft Windows Server
- Red Hat Enterprise Linux
- SUSE Linux Enterprise Server
- VMware



**UWAGA:** Więcej informacji o obsługiwanych wersjach systemów operacyjnych można znaleźć w tabeli *Support Matrix* (Obsługiwane systemy operacyjne) na stronie [support.dell.com/manuals](http://support.dell.com/manuals).

### Dodatkowe karty sieciowe iSCSI

Podczas instalowania dodatkowych kart sieciowych (NIC) należy:

- Używać dedykowanych nadmiarowych sieci pamięci masowej do przesyłania danych w sieci iSCSI. Jeśli utworzenie dedykowanej sieci nie jest możliwe, odizolować ruch w sieci iSCSI od sieci ogólnej za pomocą wirtualnych sieci lokalnych (VLAN).
- Używać dodatkowych kart sieciowych do przesyłania danych w sieci iSCSI.
- Dodawać karty sieciowe parami, aby zapewnić nadmiarowość (obsługa do czterech kart).



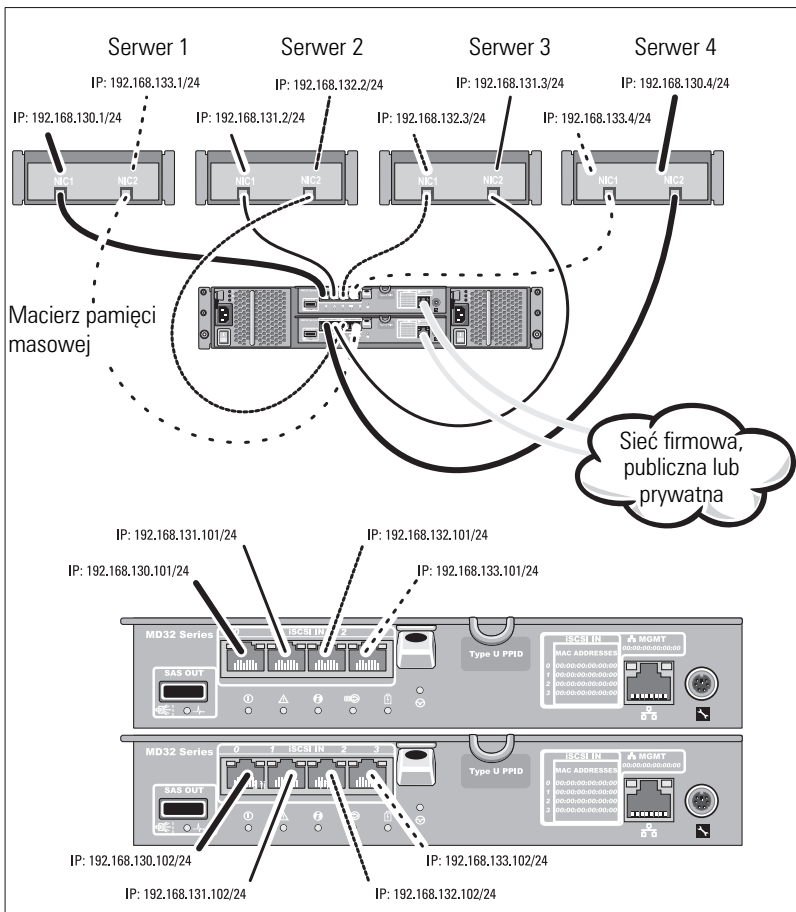
**UWAGA:** Obsługiwana jest również pojedyncza karta sieciowa.

## Konfiguracja karty sieciowej

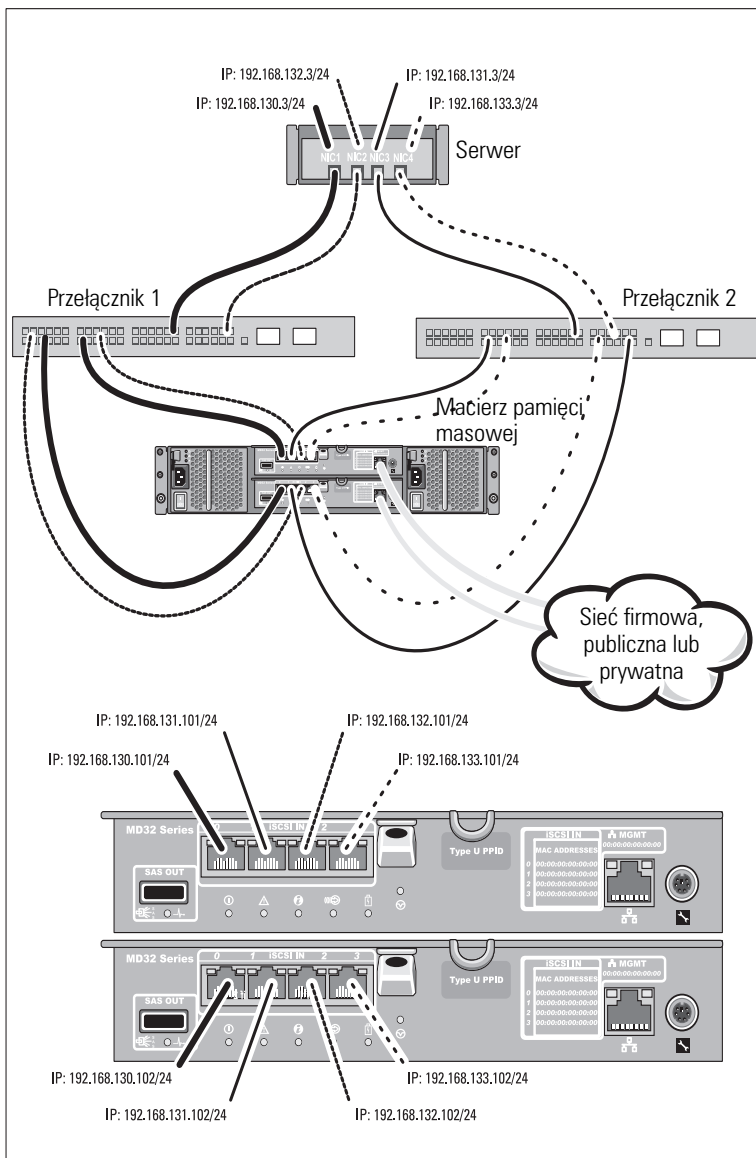
W środowisku sieci SAN, w zależności od liczby przełączników, zaleca się korzystanie z dwóch lub czterech unikalnych podsieci do przesyłania danych w sieci iSCSI. W środowiskach pamięci masowej dołączanej bezpośrednio każda karta sieciowa podłączona bezpośrednio do macierzy pamięci masowej MD3200i musi korzystać z oddzielnej podsieci.

## Typowe konfiguracje

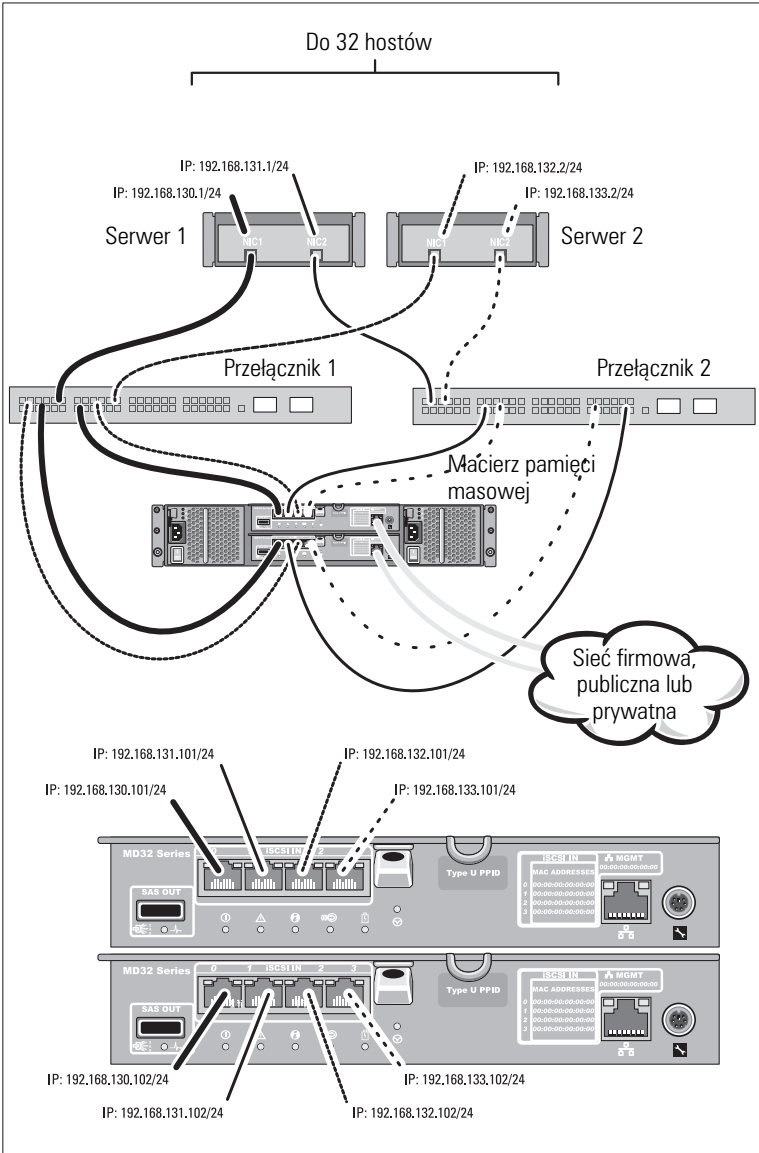
### Podłączanie hostów dołączanych bezpośrednio




## Podłączenie hostów dołączanych przez sieć SAN







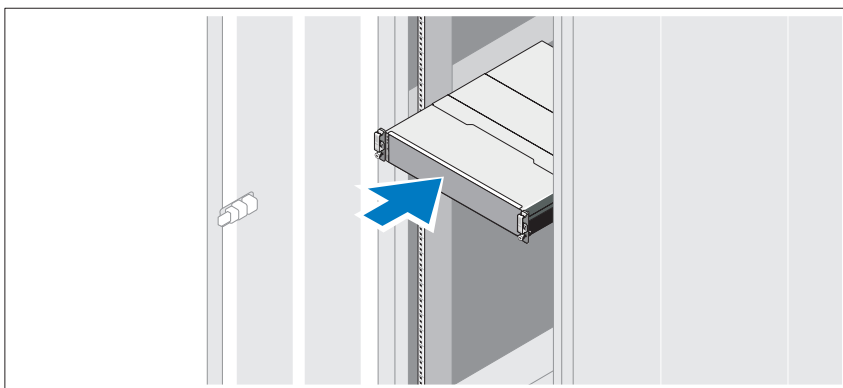
# Instalacja i konfiguracja

 **OSTRZEŻENIE:** Przed rozpoczęciem wykonywania poniższej procedury należy zapoznać się z instrukcjami dotyczącymi bezpieczeństwa dołączonymi do systemu.


## Rozpakowanie systemu

Rozpakuj system i zidentyfikuj poszczególne elementy z listy dostarczonej wraz z systemem.

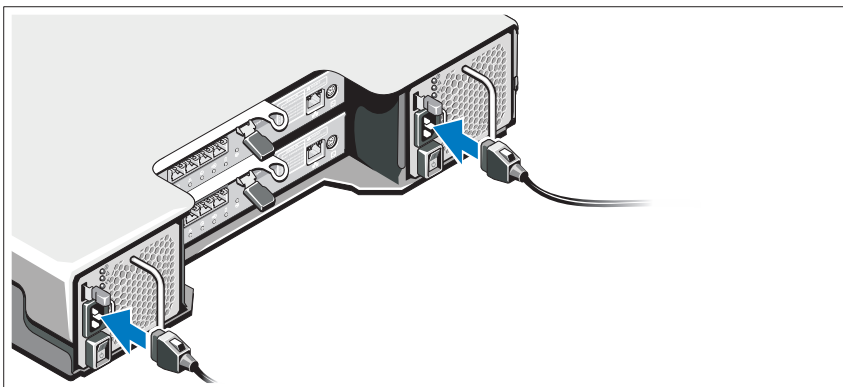
## Instalowanie prowadnic i systemu w stojaku



Zamontuj prowadnice i zainstaluj system w stojaku zgodnie z instrukcjami dotyczącymi bezpieczeństwa oraz instrukcjami dotyczącymi montowania systemów w stojaku dostarczonymi wraz z systemem.

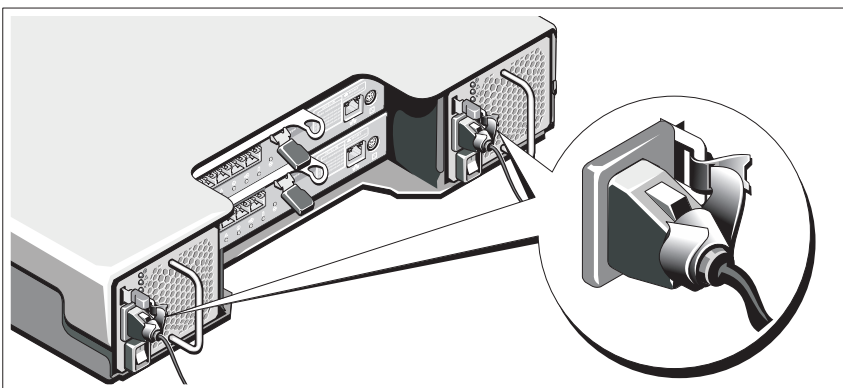
 **UWAGA:** Aby zrównoważyć obciążenie stojaka, zaleca się instalowanie macierzy pamięci masowej PowerVault MD3200i w dolnej części stojaka, a obudowy rozszerzenia PowerVault MD1200 w górnej części.

## Podłączanie kabli zasilania



Upewnij się, że przycisk zasilania znajduje się w położeniu wyłączony przed przystąpieniem do podłączania kabli zasilania. Podłącz kable zasilania do systemu.

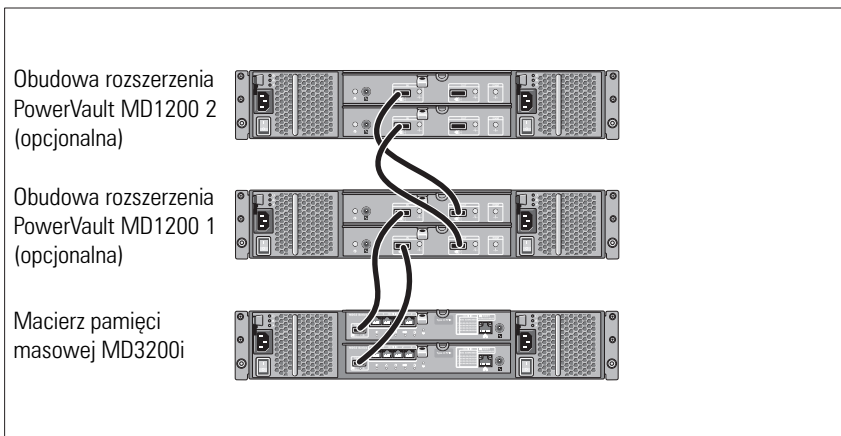
## Mocowanie kabli zasilania



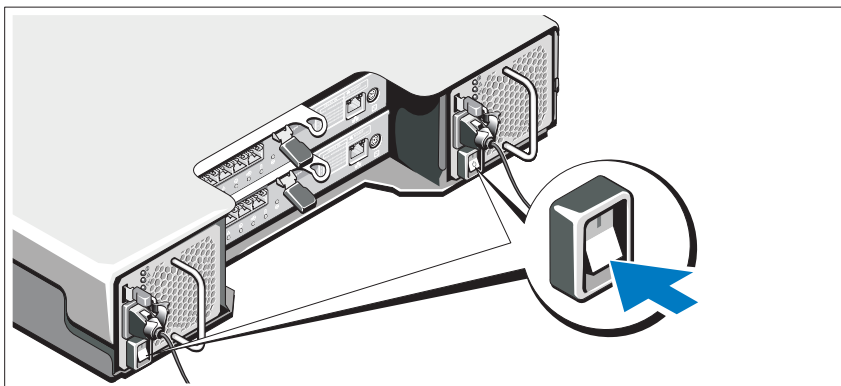
Zamocuj kable na wsporniku, używając załączonej opaski.

Następnie podłącz drugą końcówkę kabli zasilania do uziemionego gniazdka elektrycznego lub oddzielnego źródła zasilania, np. do zasilania bezprzerwowego (UPS) lub do jednostki rozdziału zasilania (PDU). Każdy zasilacz należy podłączyć do oddzielnego obwodu zasilania.



## Podłączanie obudowy rozszerzenia



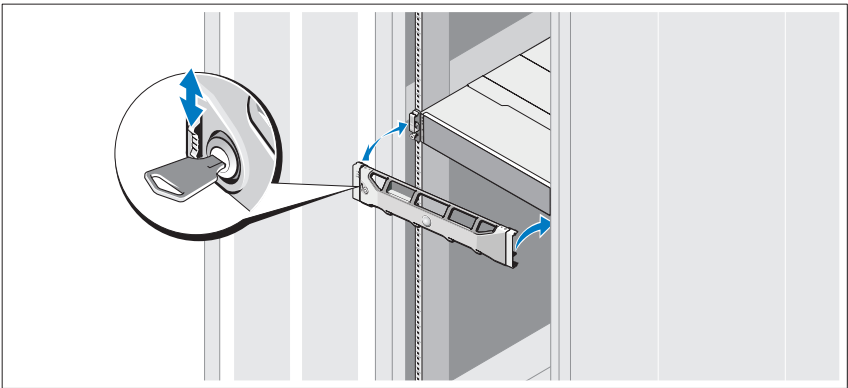
## Włączanie obudowy



Elementy należy włączać w następującej kolejności:


- 1 Przełączniki sieci Ethernet (jeśli są używane).
- 2 Obudowy rozszerzenia PowerVault MD1200 (jeśli są używane).  
 **UWAGA:** Przed włączeniem macierzy pamięci masowej, upewnij się, że wskaźnik LED obudowy rozszerzenia świeci na niebiesko.
- 3 Macierz pamięci masowej MD3200i.  
 **UWAGA:** Przed włączeniem serwerów głównych, upewnij się, że wskaźnik LED macierzy pamięci masowej świeci na niebiesko.
- 4 Serwery główne.

## Instalowanie osłony



Zamontuj osłonę (opcjonalną).

## Instalowanie oprogramowania MD Storage

-  **UWAGA:** Więcej informacji o instalacji oprogramowania MD Storage, konfiguracji obudowy i czynnościach wykonywanych po instalacji można znaleźć w *Podręczniku wdrożeniowym*.

Oprogramowanie MD Storage Manager pozwala na konfigurację, zarządzanie i monitorowanie macierzy pamięci masowej. MD Configuration Utility (MDCU) jest opcjonalnym narzędziem, które zapewnia podejście konsolidacyjne do konfiguracji portów do zarządzania, portów hosta iSCSI i tworzenia sesji dla modułowych macierzy pamięci masowej iSCSI. Zaleca się korzystanie z narzędzia MDCU do konfiguracji sieci iSCSI na każdym serwerze głównym podłączonym do macierzy pamięci masowej. Aby zainstalować oprogramowanie MD Storage:

**1** Włóż nośnik instalacyjny oprogramowania MD Storage do napdu.

Program instalacyjny może zostać uruchomiony automatycznie, zależnie od posiadanego systemu. Jeśli program instalacyjny nie zostanie uruchomiony automatycznie, przejdź do katalogu głównego nośnika instalacyjnego (lub pobranego obrazu programu instalacyjnego) i uruchom plik **md\_launcher.exe**. W przypadku systemów Linux przejdź do katalogu głównego nośnika instalacyjnego i uruchom plik **autorun**.



**UWAGA:** Domyślnie system operacyjny Red Hat Enterprise Linux montuje nośnik instalacyjny z opcją **-noexec**, która nie umożliwia uruchamiania plików wykonywalnych. Aby zmienić to ustawienie, należy zapoznać się z plikiem **Readme** znajdującym się w katalogu głównym nośnika instalacyjnego.




**2** Wybierz opcję **Install MD Storage Software** (Zainstaluj oprogramowanie MD Storage).

**3** Zapoznaj się z umową licencyjną i wyraż zgodę na jej warunki.

**4** Wybierz jedną z poniższych opcji z listy rozwijanej **Install Set** (Zestaw instalacyjny):

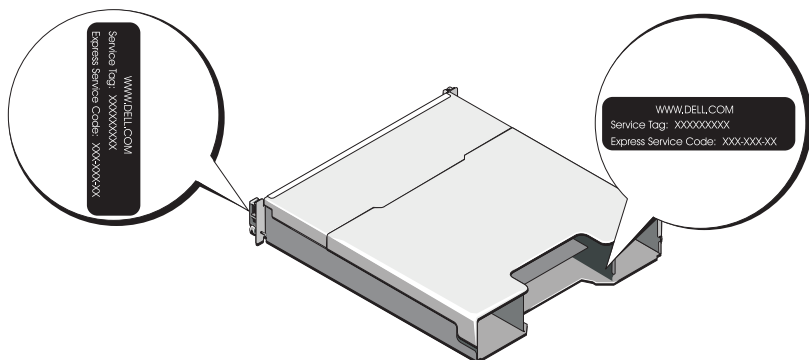
- **Full (recommended)** (Pełna (zalecana)) — opcja obejmuje instalację oprogramowania MD Storage Manager (klient), agenta pamięci masowej, sterownika wielościeżkowego i usługi sprzętowych.
- **Host Only** (Tylko host) — opcja obejmuje instalację agenta pamięci masowej i sterownika wielościeżkowego.
- **Management** (Zarządzanie) — opcja obejmuje instalację oprogramowania do zarządzania i usług sprzętowych.
- **Custom** (Niestandardowa) — opcja umożliwia wybór poszczególnych składników.

**5** Wybierz modele macierzy pamięci masowej MD, które będą konfigurowane jako pamięć masowa dla tego serwera głównego.

- 6 Ustaw, czy usługa monitorowania zdarzeń ma być uruchamiana automatycznie po ponownym uruchomieniu serwera głównego.
  -  **UWAGA:** Ta opcja dotyczy tylko instalacji oprogramowania klienta w systemie Windows.
- 7 Potwierdź katalog instalacji i kliknij przycisk **Install** (Instaluj).
- 8 Po zakończeniu instalacji i wyświetleniu monitu ponownie uruchom serwer główny.
- 9 Po ponownym uruchomieniu serwera głównego narzędzie MDCU może zostać uruchomione automatycznie. W przeciwnym razie uruchom je ręcznie.
  - W przypadku systemu operacyjnego Windows wybierz polecenie **Start**→ **Dell**→ **Modular Disk Configuration Utility**.
  - W przypadku systemu operacyjnego Linux kliknij dwukrotnie ikonę **Modular Disk Configuration Utility** znajdującą się na pulpicie.
-  **UWAGA:** Jeśli narzędzie MDCU nie zostanie zainstalowane, należy zapoznać się z *Podręcznikiem wdrożeniowym* dostępnym na stronie **support.dell.com/manuals**.
- 10 Uruchom oprogramowanie **MD Storage Manager** i przeprowadź operację wykrywania macierzy.
- 11 Jeśli dotyczy, aktywuj dodatkowe funkcje zamówione z macierzą pamięci masowej. W przypadku zamówienia funkcji Premium zapoznaj się z drukowaną kartą aktywacji dostarczoną w zestawie.
  -  **UWAGA:** Program instalacyjny oprogramowania **MD Storage Manager** powoduje automatyczną instalację sterowników, oprogramowania układowego oraz poprawek i łatek systemu operacyjnego wymaganych do obsługi macierzy pamięci masowej. Sterowniki i oprogramowanie układowe są również dostępne na stronie **support.dell.com**. Więcej informacji o dodatkowych ustawieniach i oprogramowaniu wymaganym do prawidłowej pracy macierzy pamięci masowej można znaleźć w tabeli *Support Matrix* na stronie **support.dell.com/manuals**.

## Znajdowanie kodu Service Tag

Każdy system jest oznaczony unikatowym kodem Express Service Code i Service Tag. Kody Express Service Code i Service Tag znajdują się na panelu przednim systemu oraz obok modułów kontrolera RAID z tyłu systemu. Informacje są używane przez firmę Dell do kierowania rozmowy telefonicznej bezpośrednio do właściwego działu pomocy technicznej.



## Informacja NOM (tylko Meksyk)

Informacje przedstawione poniżej dotyczą urządzenia opisanego w niniejszym dokumencie i są zgodne z wymogami standardowych norm obowiązujących w Meksyku (NOM):

Importer:	Dell Inc. de México, S.A. de C.V. Paseo de la Reforma 2620 - 11° Piso Col. Lomas Altas 11950 México, D.F.
Numer modelu:	E03J i E04J
Napięcie zasilania:	100–240 V prądu zmiennego
Częstotliwość:	50/60 Hz
Pobór prądu:	8,6 A

## Dane techniczne

---

### Napędy

---

PowerVault MD3200i	Obsługa do dwunastu 3,5-calowych, wymiennych podczas pracy dysków twardej SAS (3,0 Gb/s i 6,0 Gb/s)
PowerVault MD3220i	Obsługa do dwudziestu czterech 2,5-calowych, wymiennych podczas pracy dysków twardej SAS (3,0 Gb/s i 6,0 Gb/s)



---

## Moduły kontrolera RAID

---

Moduły kontrolera RAID	<ul style="list-style-type: none"><li>• Jeden lub dwa wymieniane podczas pracy moduły z czujnikami temperatury</li><li>• 2 GB pamięci podręcznej na każdy kontroler</li></ul>
------------------------	---

---

## Złącza na panelu tylnym (dla każdego modułu kontrolera RAID)

---

Złącza iSCSI	Cztery porty wejściowe iSCSI o przepustowości 1 GB do podłączenia hostów
Złącza rozszerzenia SAS	Jeden port wyjściowy SAS do podłączenia dodatkowej obudowy rozszerzenia PowerVault MD1200. <b>UWAGA:</b> Złącza SAS są zgodne ze standardem SFF-8088.
Złącze szeregowo	Jedno 6-stykowe złącze mini-DIN <b>UWAGA:</b> Wyłącznie do obsługi serwisowej.
Złącza sieci Ethernet do zarządzania	Jeden port 100/1000 Base-T sieci Ethernet do pozapasmowego zarządzania obudową <b>UWAGA:</b> Adresy IP portów do zarządzania dla podstawowego i pomocniczego modułu kontrolera RAID są domyślnie ustawione na odpowiednio 192.168.128.101 i 192.168.128.102. Domyślnie porty do zarządzania są jednak ustawione na obsługę protokołu Dynamic Host Configuration Protocol (DHCP) i automatyczne przydzielanie adresów IP. Jeśli sterownik nie będzie mógł uzyskać adresu IP z serwera DHCP w określonym czasie (w przybliżeniu 3 minuty) przywrócone zostaną domyślne, statyczne adresy IP. Więcej informacji można znaleźć w <i>Podręczniku wdrażeniowym</i> .

---

**Obudowa rozszerzenia**

---

PowerVault MD1200	<p>Obsługa maksymalnie do 192 dysków twardech w dowolnej konfiguracji obudów rozszerzenia PowerVault MD1200 lub PowerVault MD1220. Obsługa 192 dysków twardech jest funkcją Premium i wymaga dodatkowej aktywacji. Maksymalna liczba obsługiwanych dysków twardech bez funkcji Premium wynosi 120.</p> <p>Łączność przy użyciu nadmiarowych ścieżek danych zapewnia nadmiarowe ścieżki danych dla każdego dysku twardego.</p>
-------------------	---

---

**Tablica połączeń**

---

Złącza	<ul style="list-style-type: none"><li>• Złącza dla 12 lub 24 dysków twardech SAS</li><li>• Dwa złącza dla zasilacza i modułu wentylatora</li><li>• Dwa zestawy złączy dla modułu kontrolera RAID</li><li>• 1 złącze panelu sterowania dla diody LED umieszczonej z przodu oraz przełącznik trybu obudowy pamięci</li></ul>
Czujniki	Dwa czujniki temperatury

---

## Wskaźniki LED

---

Panel przedni	<ul style="list-style-type: none"><li>• Jeden dwukolorowy wskaźnik LED informujący o stanie systemu</li><li>• Dwa jednokolorowe wskaźniki LED informujące o zasilaniu i trybie pracy obudowy</li></ul> <p><b>UWAGA:</b> Wskaźnik LED trybu pracy obudowy nie jest używany w macierzy pamięci masowej PowerVault MD3200i.</p>
Nośnik dysku twardego	<ul style="list-style-type: none"><li>• Jeden jednokolorowy wskaźnik LED informujący o pracy dysku</li><li>• Jeden dwukolorowy wskaźnik LED informujący o stanie każdego dysku</li></ul>
Zasilacz/wentylator	Trzy wskaźniki LED informujące o stanie zasilacza, awarii zasilacza/wentylatora i stanie zasilania prądem zmiennym
Moduł kontrolera RAID	Dziesięć jednokolorowych wskaźników LED: <ul style="list-style-type: none"><li>• Jeden informujący o uszkodzeniu baterii</li><li>• Jeden informujący o aktywności pamięci podręcznej</li><li>• Jeden informujący o awarii kontrolera</li><li>• Jeden informujący o zasilaniu kontrolera</li><li>• Jeden informujący o identyfikacji systemu</li><li>• Jeden informujący o aktywności portu Ethernet do zarządzania</li><li>• Cztery informujące o aktywności portów wejściowych iSCSI</li></ul> Sześć dwukolorowych wskaźników LED: <ul style="list-style-type: none"><li>• Cztery informujące o szybkości portów wejściowych iSCSI</li><li>• Jeden informujący o stanie lub awarii portu wyjściowego SAS</li><li>• Jeden informujący o szybkości łącza Ethernet do zarządzania</li></ul>

---

**Przełącznik**

---

Przycisk identyfikacji systemu	Umieszczony na przednim panelu sterowania. Ten przycisk jest używany do lokalizacji systemu w stojaku.
Przycisk trybu pracy obudowy	Umieszczony na panelu przednim systemu. Przełącznika nie można stosować w macierzy pamięci masowej PowerVault MD3200i.
Przycisk resetowania hasła	Umieszczony na panelu tylnym modułu kontrolera RAID. Ten przycisk jest używany do resetowania hasła macierzy pamięci masowej.

---

**Zasilanie**

---

**Zasilacz prądu zmiennego (na zasilacz)**

Moc	600 W
Napięcie	100 – 240 V prądu zmiennego (8,6 A – 4,3 A)
Emisja ciepła	100 W
Maks. natężenie prądu przy włączeniu	Przy typowym zasilaniu i w całym dozwolonym zakresie warunków pracy systemu natężenie prądu przy włączeniu może osiągnąć maksymalnie 55 A na zasilacz przez 10 ms lub krócej.

---

**Dostępne zasilanie dysku twardego (dla każdego gniazda)**

---

PowerVault MD3200i	25 W
PowerVault MD3220i	12 W

---

**Dostępne zasilanie modułu kontrolera RAID (dla każdego gniazda)**

---

Maksymalne zużycie energii	100 W
----------------------------	-------

---

**Cechy fizyczne**

---

**PowerVault MD3200i**

Wysokość	8,68 cm (3,41 cala)
Szerokość	44,63 cm (17,57 cala)
Głębokość	60,20 cm (23,70 cala)

---

**Cechy fizyczne (ciąg dalszy)**

---

Waga (przy maksymalnej konfiguracji)	29,30 kg (64,6 funta)
Waga (bez wyposażenia)	8,84 kg (19,5 funta)
PowerVault MD3220i	
Wysokość	8,68 cm (3,41 cala)
Szerokość	44,63 cm (17,57 cala)
Głębokość	54,90 cm (21,61 cala)
Waga (przy maksymalnej konfiguracji)	24,22 kg (53,4 funta)
Waga (bez wyposażenia)	8,61 kg (19 funtów)

---

**Warunki otoczenia**

---

**UWAGA:** Dodatkowe informacje o warunkach otoczenia przewidzianych dla poszczególnych konfiguracji systemu można znaleźć na stronie [www.dell.com/environmental\\_datasheets](http://www.dell.com/environmental_datasheets).

Temperatura:

W trakcie pracy                      Od 10°C do 35°C (od 50°F do 95°F) przy maksymalnym gradiencie temperaturowym 10°C na godzinę

**UWAGA:** W przypadku wysokości powyżej 2950 stóp (ok. 900 m) maksymalna temperatura, w jakiej urządzenie może pracować, obniża się o 1°F (ok. 0,6°C) na każde 550 stóp (ok. 167 m).

Przechowywanie                      Od 40 do 65°C (od 40 do 149°F) przy maksymalnym gradiencie temperaturowym 20°C na godzinę

Wilgotność względna

W trakcie pracy                      Od 20 do 80% (bez kondensacji) przy maksymalnym gradiencie wilgotności 10% na godzinę

Przechowywanie                      Od 5% do 95% (bez kondensacji)

Maksymalne drgania

W trakcie pracy                      0,25 G przy częstotliwości 3 – 200 Hz przez 15 min

Przechowywanie                      0,5 G przy częstotliwości 3 – 200 Hz przez 15 min

---

**Warunki otoczenia (ciąg dalszy)**

---

## Maksymalny wstrząs

W trakcie pracy	Jeden impuls wstrząsowy na dodatniej osi Z (jeden wstrząs po każdej stronie systemu) o sile 31 G, trwający przez 2,6 ms w kierunkach działania
Przechowywanie	Sześć kolejnych impulsów wstrząsowych na dodatniej i ujemnej stronie osi X, Y, Z (jeden wstrząs po każdej stronie systemu) o sile 71 G, trwających do 2 ms

## Wysokość n.p.m.

W trakcie pracy	Od -16 do 3048 m (od -50 do 10 000 stóp) <b>UWAGA:</b> W przypadku wysokości powyżej 2950 stóp (ok. 900 m) maksymalna temperatura, w jakiej urządzenie może pracować, obniża się o 1°F (ok. 0,6°C) na każde 550 stóp (ok. 167 m).
-----------------	--

Przechowywanie	Od -16 do 10 600 m (od -50 do 35 000 stóp)
----------------	--

## Poziom zanieczyszczeń w powietrzu

Klasa	G1 wg definicji w ISA-S71.04-1985
-------	-----------------------------------

Массивы хранения  
данных Dell PowerVault  
MD3200i и MD3220i

**Начало работы с  
системой**



# Примечания, предупреждения и предостережения



**ПРИМЕЧАНИЕ:** ПРИМЕЧАНИЕ указывает на важную информацию, которая поможет использовать компьютер более эффективно.



**ВНИМАНИЕ:** ВНИМАНИЕ указывает на риск повреждения оборудования или потери данных в случае несоблюдения инструкций.



**ПРЕДУПРЕЖДЕНИЕ:** ОСТОРОЖНО указывает на потенциальную опасность повреждения оборудования, получения легких травм или угрозу для жизни.

---

Информация, содержащаяся в данной публикации, может быть изменена без уведомления.  
© 2011 Dell Inc. Все права защищены.

Воспроизведение материалов данного руководства в любой форме без письменного разрешения корпорации Dell Inc. строго запрещается.

Используемые в данном тексте товарные знаки: Dell™, логотип DELL и PowerVault™ являются товарными знаками корпорации Dell Inc. Microsoft® и Windows Server® являются товарными знаками или зарегистрированными товарными знаками корпорации Microsoft в Соединенных Штатах Америки и/или других странах. Red Hat® и Red Hat Enterprise Linux® являются зарегистрированными товарными знаками корпорации Red Hat, Inc. в США и других странах. SUSE® является зарегистрированным товарным знаком корпорации Novell, Inc. в США и других странах. VMware® является зарегистрированным товарным знаком корпорации VMware в США и/или других юрисдикциях.

Прочие товарные знаки и названия продуктов могут использоваться в данной публикации для обозначения компаний, заявляющих права на эти товарные знаки и названия, или продуктов этих компаний. Dell Inc. не претендует на права собственности в отношении каких-либо товарных знаков и торговых наименований, кроме своих собственных.

Нормативная модель серии E03J и E04J

2011 - 08 P/N J26CK Ред. А02



## Предварительные замечания



**ПРИМЕЧАНИЕ:** В этом документе под массивом хранения данных Dell PowerVault серии MD3200i подразумевается как модель Dell PowerVault MD3200i, так и Dell PowerVault MD3220i. Под корпусом расширения Dell PowerVault MD1200 подразумевается как модель Dell PowerVault MD1200, так и Dell PowerVault MD1220.

Перед установкой массива хранения данных Dell PowerVault MD3200i необходимо ознакомиться с рекомендациями по его эксплуатации - это позволит обеспечить работу массива с максимальной эффективностью и полной избыточностью (при необходимости).

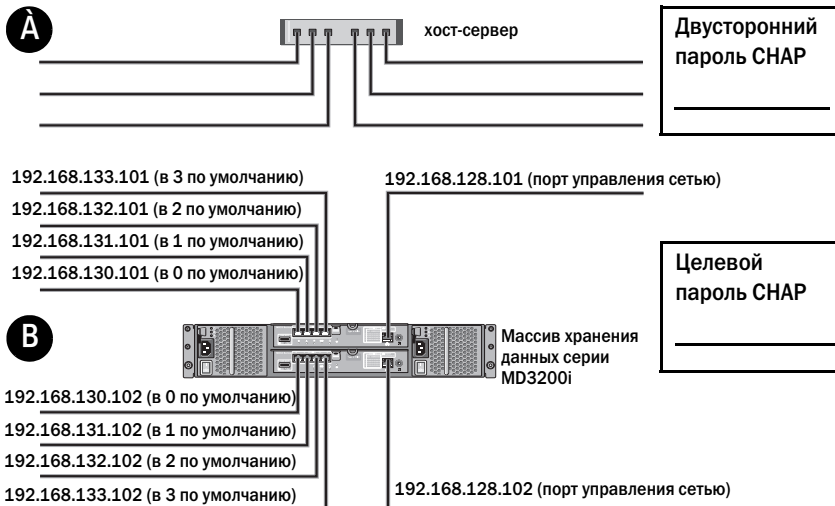
- Для обмена данными iSCSI рекомендуется использовать выделенную сеть хранения данных типа SAN. Обмен управляющими данными можно изолировать в отдельной сети управления.
- Перед изменением параметров iSCSI заполните Проект конфигурации сети iSCSI. См. раздел «Заполнение Проекта конфигурации iSCSI» на стр. 136. Проект конфигурации содержит в себе полную информацию о физическом устройстве сети.
- После заполнения Проекта конфигурации iSCSI, непосредственно перед построением решения, начертите схему конфигурации.
- Конфигурация сети iSCSI должна предусматривать резервные каналы для обмена данными с хост-сервером на случай выхода из строя одного из основных каналов.
- Если на хост-сервере установлено несколько сетевых контроллеров NIC, рекомендуется создавать несколько подсетей управления и обмена данными iSCSI.
- Во всей сети должен использоваться кабель Ethernet категории 5e (или выше).
- Перед соединением хост-сервера и массива хранения данных кабелями промаркируйте все порты и разъемы.
- Соблюдайте правила эксплуатации оборудования сети при включении и выключении питания. Критически важные компоненты сети должны питаться от отдельных силовых цепей.



**ПРИМЕЧАНИЕ:** В иллюстрациях к этому документу приведена схема монтажа кабельных соединений одного массива хранения данных PowerVault MD3200i в сети типа SAN. IP-адреса, указанные в иллюстрациях, используются в массиве хранения данных PowerVault MD3200i по умолчанию. Варианты кабельного соединения нескольких массивов хранения данных PowerVault MD3200i в сети типа SAN описаны в *Руководстве по развертыванию*.

# Заполнение Проекта конфигурации iSCSI

## Настройки IPv4




Если вам необходимо дополнительное место для более чем одного хост-сервера, используйте дополнительную страницу.


<b>А</b> Статический IP-адрес (хост-сервер)	Subnet Mask (Маска подсети)	Default Gateway (Шлюз по умолчанию)
iSCSI порт 1	_____	_____
iSCSI порт 2	_____	_____
iSCSI порт 3	_____	_____
iSCSI порт 4	_____	_____
Порт управления	_____	_____


**ПРИМЕЧАНИЕ:** Хост-сервер может поддерживать до четырех сетевых адаптеров.

<b>B</b> Статический IP-адрес (массив хранения данных)	Subnet Mask (Маска подсети)	Default Gateway (Шлюз по умолчанию)
iSCSI контроллер 0, ввод 0	_____	_____
iSCSI контроллер 0, ввод 1	_____	_____
iSCSI контроллер 2, ввод 0	_____	_____
iSCSI контроллер 3, ввод 0	_____	_____
Контроллер порта управления 0	_____	_____
iSCSI контроллер 1, ввод 0	_____	_____
iSCSI контроллер 1, ввод 1	_____	_____
iSCSI контроллер 1, ввод 2	_____	_____
iSCSI контроллер 1, ввод 3	_____	_____
Контроллер порта управления 1	_____	_____

 **ПРИМЕЧАНИЕ:** Проект конфигурации протокола IPv6 приведен в *Руководстве по развертыванию*.

## Другая необходимая документация и носители данных

 **ПРЕДУПРЕЖДЕНИЕ:** Ознакомьтесь с правилами техники безопасности, включенными в комплект поставки системы. Условия гарантийного обязательства приведены в соответствующем разделе данного документа или в отдельном документе.

 **ПРИМЕЧАНИЕ:** Полная документация по массиву хранения данных PowerVault MD3200i доступна по адресу [support.dell.com/manuals](http://support.dell.com/manuals).

- В документации, поставляемой в комплекте со стойкой, содержатся инструкции по установке системы в стойку.
- В *Руководстве по эксплуатации оборудования* представлена информация о характеристиках системы, описан порядок устранения неисправностей системы, установки или замены ее компонентов.
- В *Руководстве по развертыванию* представлена информация об установке и настройке программного обеспечения и оборудования.
- В *Инструкциях к интерфейсу CLI (CLI Guide)* представлена информация об использовании интерфейса командной строки (CLI) для настройки и администрирования массива хранения данных.

- В документе *SMI-S Programmer's Guide* (Руководство программиста SMI-S) предоставляется информация об использовании поставщика SMI-S и программировании SMI-S.
- Любой носитель в комплекте с системой, содержащий документацию и программные средства для настройки системы и управления ею, включая компоненты, относящиеся к операционной системе, ПО для управления системой и обновления системы, а также компоненты, приобретенные вместе с системой.



**ПРИМЕЧАНИЕ:** Обязательно проверяйте страницу [support.dell.com/manuals](http://support.dell.com/manuals) на наличие обновлений. Обновленные документы часто заменяют собой другие материалы – читайте их в первую очередь.

## Подготовка хост-сервера

### Поддерживаемые операционные системы

- Microsoft Windows Server
- Red Hat Enterprise Linux
- SUSE Linux Enterprise Server
- VMware



**ПРИМЕЧАНИЕ:** Последние данные о версиях всех поддерживаемых операционных систем приведены в разделе *Support Matrix* (Таблица совместимости) по адресу [support.dell.com/manuals](http://support.dell.com/manuals).

### Дополнительные сетевые контроллеры NIC в сетях iSCSI

При установке дополнительных сетевых контроллеров рекомендуется:

- Использовать дополнительные выделенные системы хранения данных для потоков iSCSI. Если построение выделенной сети невозможно, обмен данными iSCSI можно изолировать от общесетевого потока с помощью виртуальных локальных сетей (VLAN).
- Использовать дополнительные выделенные сетевые контроллеры NIC для обслуживания потоков iSCSI.
- Добавлять сетевые адаптеры попарно для обеспечения избыточности (до четырех сетевых адаптеров).



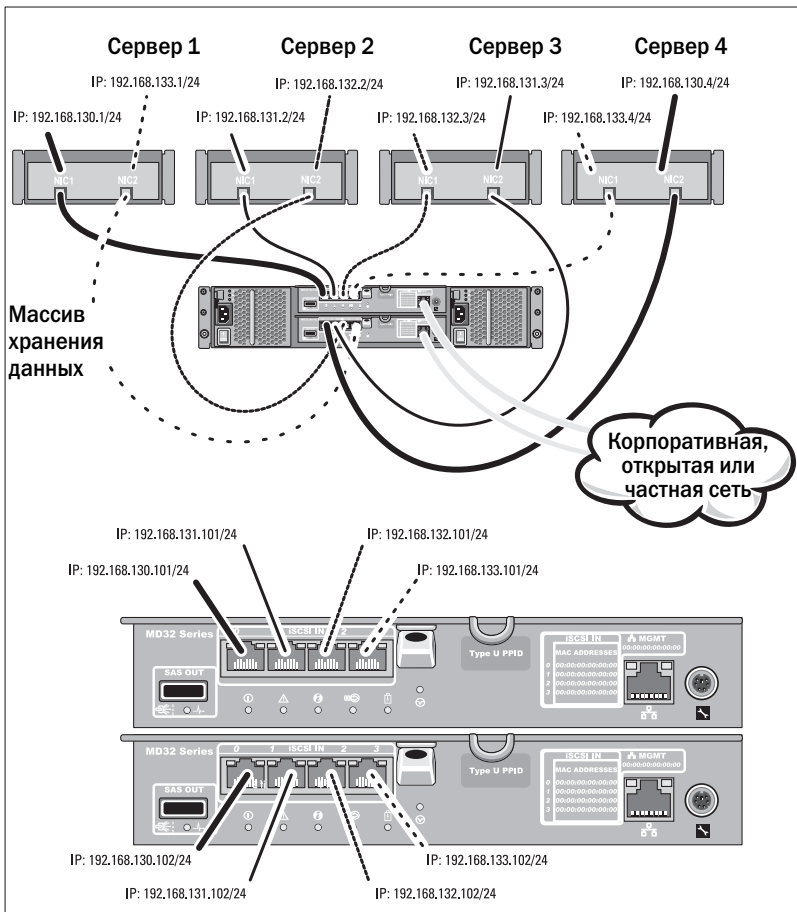
**ПРИМЕЧАНИЕ:** Поддерживается также самостоятельный сетевой контроллер NIC.

## Конфигурация сетевого контроллера NIC

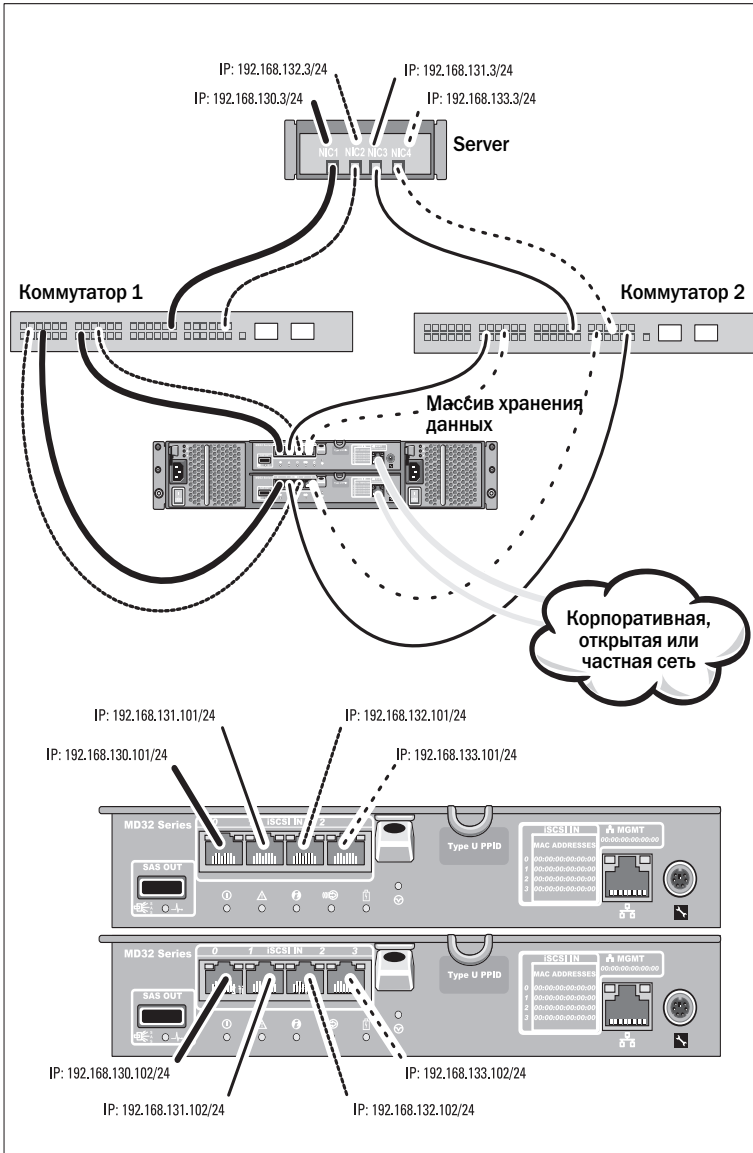
В сети типа SAN в зависимости от количества коммутаторов рекомендуется использовать две или четыре уникальных подсети для обмена данными iSCSI. В системах хранения данных с прямым подключением каждый сетевой контроллер подключенный непосредственно к массиву хранения данных PowerVault MD3200i, должен находиться в отдельной подсети.

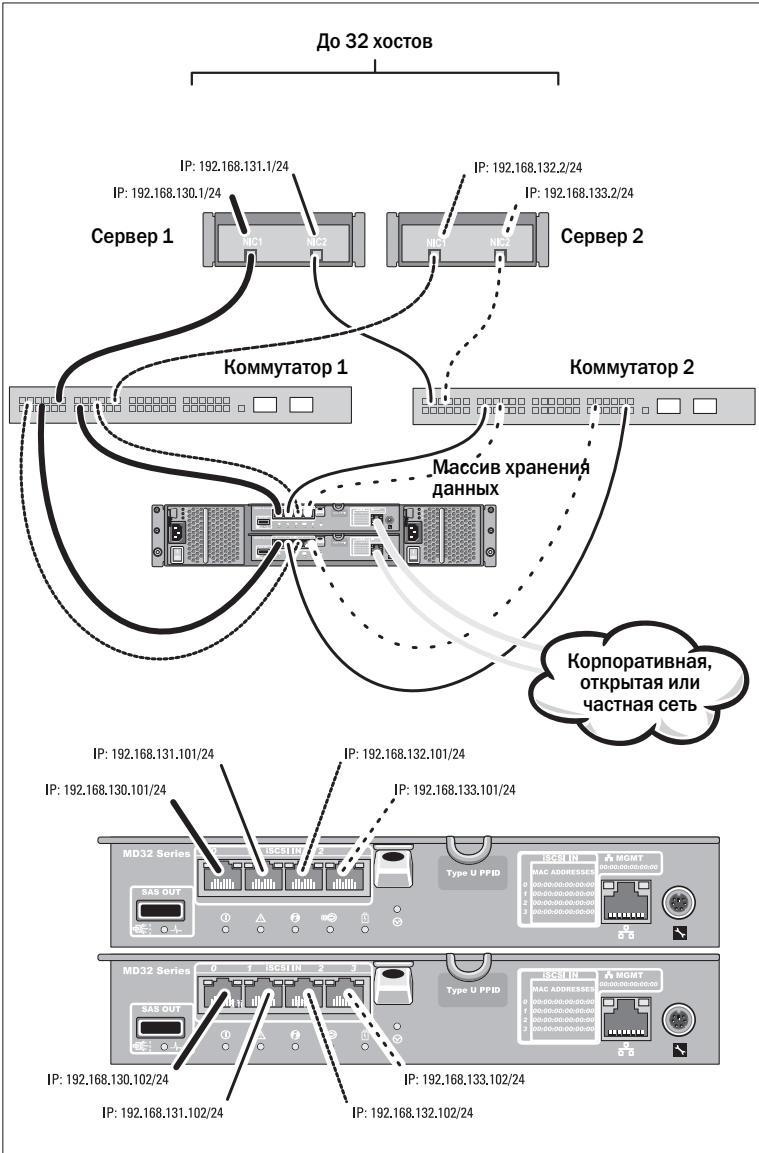
## Стандартные конфигурации

### Монтаж кабельной проводки хостов прямого подключения




## Монтаж кабельной проводки хостов в сети типа SAN





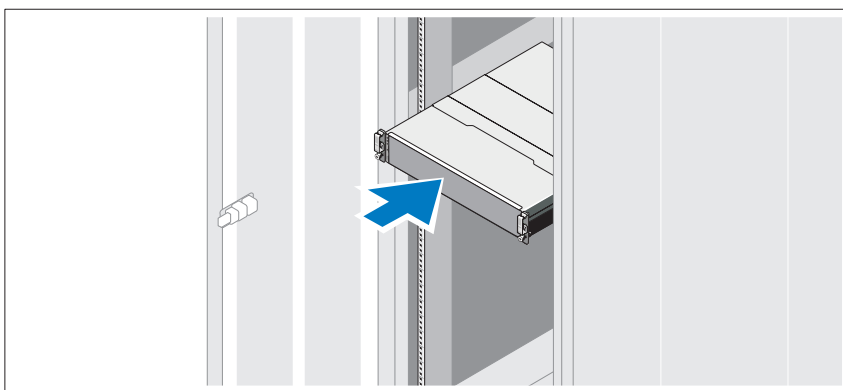
## Установка и конфигурирование

 **ПРЕДУПРЕЖДЕНИЕ:** Перед тем как приступить к выполнению следующей процедуры, прочитайте инструкции по технике безопасности, прилагаемые к системе.


### Распаковка системы

Распакуйте систему, найдите каждый элемент с помощью упаковочной описи, поставляемой вместе с системой.

### Установка направляющих и системы в стойку

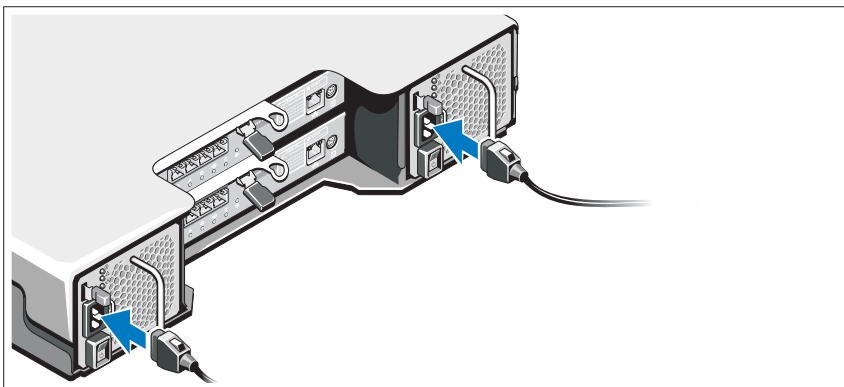


Смонтируйте направляющие кронштейны и установите систему в стойку согласно прилагаемым инструкциям по технике безопасности и инструкциям по установке стойки.

 **ПРИМЕЧАНИЕ:** Для балансировки весовой нагрузки рекомендуется установить массив хранения данных PowerVault MD3200i на дно стойки, а корпуса расширения PowerVault MD1200 – расположить сверху.

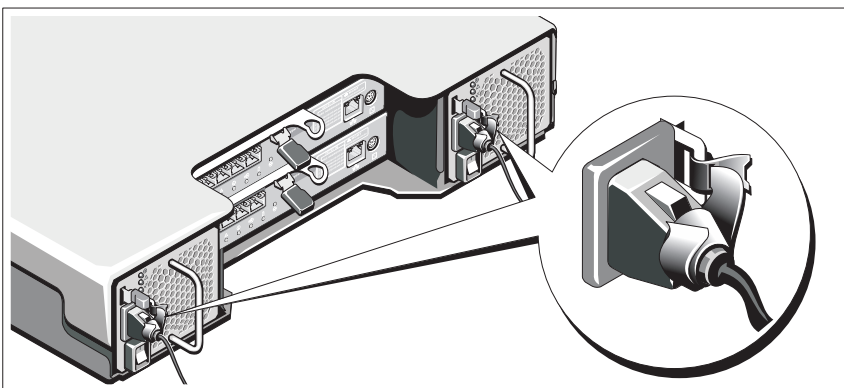


## Подключение кабелей питания



Перед подключением шнуров питания убедитесь, что переключатель питания находится в положении ВЫКЛ. Подсоедините шнур(ы) питания к системе.

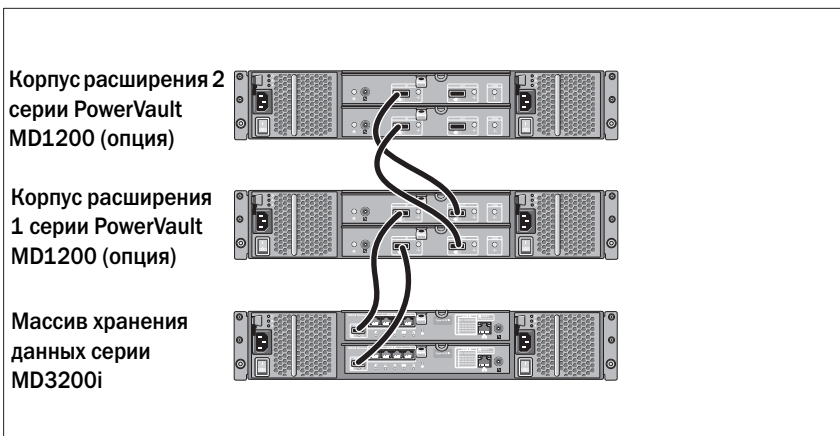
## Фиксация кабелей питания



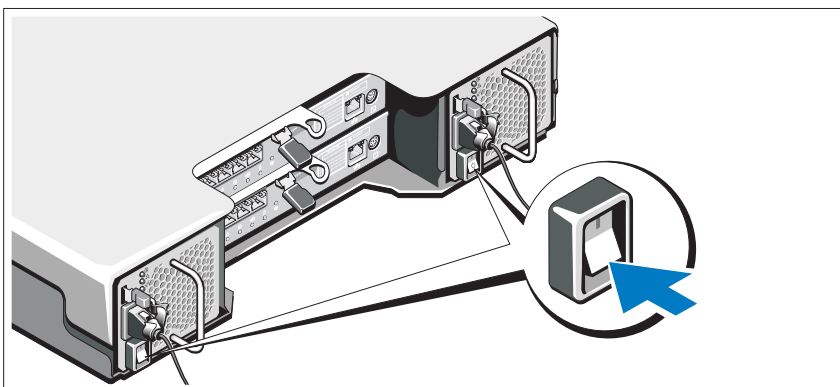
Надежно прикрепите шнур(ы) к скобке с помощью полоски, входящей в комплект поставки.

Подключите другой конец шнура(ов) питания к заземленной розетке или отдельному источнику питания, например, источнику бесперебойного питания или блоку распределения питания. Каждый источник питания должен быть подключен к отдельной цепи питания.

## Монтаж кабельной проводки корпуса расширения




## Включение корпуса




Включите компоненты в следующем порядке:

- 1 Коммутационные переключатели сети Ethernet (если используются).
- 2 Корпуса расширения PowerVault MD1200 (при их использовании).

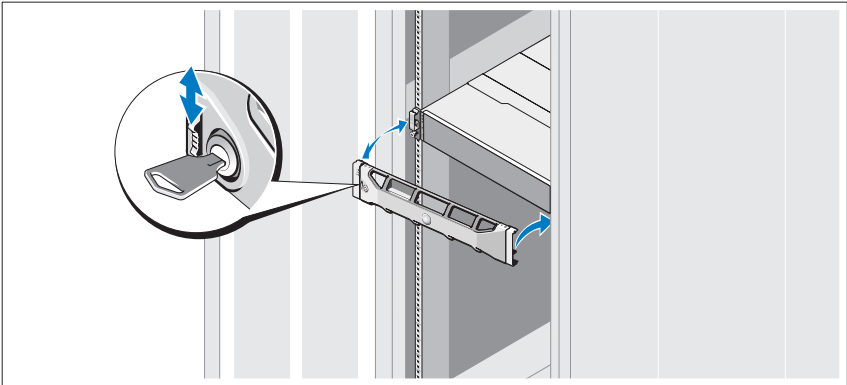
 **ПРИМЕЧАНИЕ:** Перед включением массива хранения данных убедитесь, что индикатор состояния корпуса расширения синего цвета.

- 3 Массив хранения данных серии MD3200i.

 **ПРИМЕЧАНИЕ:** Перед включением хост-сервера (-ов) убедитесь, что индикатор состояния корпуса для массива хранения данных синего цвета.


- 4 Хост-сервер(ы).

### Установка лицевой панели



Установите лицевую панель (дополнительно).

### Установка программного обеспечения MD Storage

 **ПРИМЕЧАНИЕ:** Подробные инструкции по установке программного обеспечения MD Storage, установке корпуса и задач, выполняемых после установки, приведены в документе *Руководстве по разворачиванию*.

Приложение MD Storage Manager осуществляет настройку, администрирование и мониторинг массива хранения данных. Утилита конфигурирования MD Configuration Utility (MDCU) является опциональной утилитой для обеспечения консолидированного подхода к конфигурации администрирования и портов хоста iSCSI и создания сессий для модульных массивов дисков хранения данных iSCSI. Рекомендуется использовать MDCU для конфигурации iSCSI на каждом сервере-хосте, который подключен к массиву хранения данных. Чтобы установить программное обеспечение MD Storage Manager:

**1** Вставьте носитель с ресурсами для серии MD.

В зависимости от вашей операционной системы, программа установки может запуститься автоматически. Если программа установки не запускается автоматически, перейдите в корневой каталог установочного носителя (или загруженного изображения программы установки) и запустите файл **md\_launcher.exe**. В системах Linux - перейдите к корневой папке внешнего носителя и запустите файл **autorun**.



**ПРИМЕЧАНИЕ:** Операционная система Red Hat Enterprise Linux по умолчанию присваивает внешним носителям атрибут **-noexec mount**, который запрещает запуск файлов с расширением **.exe**. Чтобы изменить этот атрибут, обратитесь к файлу **Readme**, расположенном в корневом каталоге установочного носителя.

- 2** Выберите **Install MD Storage Software** (Установка программного обеспечения MD).
- 3** Прочтите и примите лицензионное соглашение.
- 4** Выберите одну из следующих опций установки из выпадающего меню **Install Set** (Опции установки):

- **Full (recommended)**/Полная (рекомендуется) — Устанавливает программное обеспечение MD Storage Manager (клиент), software, хостовый агент системы хранения, многолучевой драйвер и провайдеры оборудования.
- **Host Only** (Только хост) — Устанавливает хостовый агент системы хранения и многолучевые драйвера.
- **Management** (Администрирование) — Устанавливает только администрирующее программное обеспечение и провайдеры оборудования.
- **Custom** (Настраиваемая) — Позволяет вам выбрать соответствующие компоненты.

- 5 Выберите модель(и) массива хранения данных, которые вы собираетесь настроить для использования в качестве хранилищ данных для данного хост-сервера.
- 6 Выберите, запускать ли сервис мониторинга событий автоматически при перезагрузке хост-сервера или вручную.



**ПРИМЕЧАНИЕ:** Данная опция доступна только для установки клиентского программного обеспечения под Windows.

- 7 Подтвердите выбор места для установки и нажмите **Install** (Установить).
- 8 При появлении запроса перезагрузите хост-сервер после завершения установки.
- 9 По завершению перезагрузки MDCU может запускаться автоматически. Если MDCU не запускается автоматически, запустите его вручную.
  - В системах Windows - кликните на **Start**→ **Dell**→ **Modular Disk Configuration Utility**.
  - В системах Linux - дважды кликните по ярлыку **Modular Disk Configuration Utility** на рабочем столе.



**ПРИМЕЧАНИЕ:** Если MDCU не установлено, см. *Руководстве по развертыванию* по адресу [support.dell.com/manuals](http://support.dell.com/manuals).

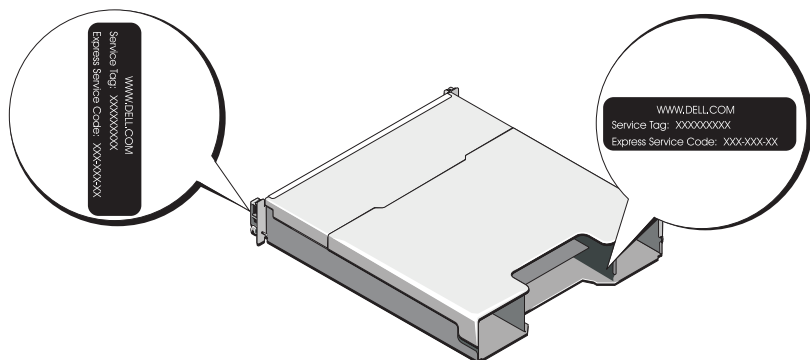
- 10 Запустите **MD Storage Manager** и найдите массив(ы).
- 11 Активируйте, при их наличии, любые дополнительные функции, приобретенные вместе с массивом хранения данных. Если вы приобрели дополнительные функции, см. бумажную карту активации, поставляемую вместе с вашим массивом хранения данных.



**ПРИМЕЧАНИЕ:** Установочная программа **MD Storage Manager** автоматически устанавливает требуемые драйвера, прошивку и дополнения/исправления для операционной системы, необходимые для использования вашего массива хранения данных. Данные драйвера и прошивка доступны по адресу [support.dell.com](http://support.dell.com). Для получения дополнительной информации по любым настройкам и/или программному обеспечению, требуемому для вашего конкретного массива для хранения данных см. раздел *Support Matrix* по адресу [support.dell.com/manuals](http://support.dell.com/manuals).

## Как найти метку обслуживания

Система идентифицируется по уникальному коду экспресс-обслуживания и номеру метки обслуживания. Код экспресс-обслуживания и метка обслуживания изображены на передней и задней стенках корпуса системы, рядом с модулями контроллеров RAID. Эта информация необходима для того, чтобы ваши звонки могли быть соответствующим образом перенаправлены сотрудникам службы технического обслуживания корпорации Dell.



## Информация NOM (только для Мексики)

В соответствии с требованиями официальных стандартов Мексики (NOM) на устройстве, описанном в данном документе, указывается следующая информация.

Импортер:	Dell Inc. de México, S.A. de C.V. Paseo de la Reforma 2620 -11º Piso Col. Lomas Altas 11950 México, D.F.
Номер модели:	E03J и E04J
Напряжение в сети:	100–240 В переменного тока
Частота:	50/60 Гц
Потребляемый ток:	8,6 А

# Технические характеристики

---

## Накопители

---

PowerVault MD3200i	До двенадцати жестких дисков SAS 3,5 дюйма, допускающих «горячую» замену (3,0 и 6,0 Гбит/с)
PowerVault MD3220i	До двадцати четырех жестких дисков SAS 2,5 дюйма, допускающих «горячую» замену (3,0 и 6,0 Гбит/с)

---

## Модули RAID-контроллеров

---

Модули RAID-контроллеров	<ul style="list-style-type: none"><li>• Один или два модуля с датчиками температур, допускающих «горячую» замену</li><li>• Кэш - по 2 ГБ на контроллер</li></ul>
--------------------------	--

---

## Разъемы задней панели (на модуль RAID-контроллера)

---

Разъемы iSCSI	Четыре разъема iSCSI IN 1 ГБ для подключения хостов
Разъем расширения SAS	Один порт SAS OUT для расширения на дополнительный корпус PowerVault MD1200. <b>ПРИМЕЧАНИЕ:</b> Разъемы SAS совместимы с SFF-8088.
Разъем последовательного порта	Один 6-контактный разъем mini-DIN <b>ПРИМЕЧАНИЕ:</b> Только для специалистов службы технической поддержки.

---

## Разъемы задней панели (на модуль RAID-контроллера) (продолжение)

---

Разъем управления Ethernet	<p>Один порт 100/1000 Base-T Ethernet для управления корпусом вне диапазона.</p> <p><b>ПРИМЕЧАНИЕ:</b> По умолчанию IP-адресами управляющего порта для первичного и вторичного модулей RAID-контроллера являются 192.168.128.101 и 192.168.128.102 соответственно. По умолчанию управляющие порты настроены на использование протокола динамической конфигурации хоста (DHCP). Если контроллер не может получить конфигурацию IP-адреса от DHCP-сервера в течение заданного промежутка времени (приблизительно 3 минуты), то по умолчанию он возвращается к использованию статической IP-адресации. Дополнительную информацию см. в <i>Руководстве по развертыванию</i>.</p>
----------------------------	--

---

## Расширение

---

Серия PowerVault MD1200	<p>Поддержка максимум 192 жестких дисков с любой комбинацией корпусов расширения PowerVault MD1200 или PowerVault MD1220. Поддержка до 192 жестких дисков является дополнительной функцией и требует активации. Максимальное количество жестких дисков, поддерживаемое без использования дополнительных функций, равняется 120.</p> <p>Возможность избыточного соединения обеспечивает избыточность путей доступа к данным каждого жесткого диска.</p>
-------------------------	--



---

## Объединительная плата

---

Разъемы	<ul style="list-style-type: none"><li>• 12 или 24 разъема для жестких дисков SAS</li><li>• Два разъема для модулей источника питания и охлаждающих вентиляторов</li><li>• Два набора разъемов модулей RAID-контроллера</li><li>• 1 разъем панели управления для лицевых светодиодных индикаторов и переключателя режима корпуса</li></ul>
Датчики	Два датчика температуры

---

## Светодиодные индикаторы

---

Передняя панель	<ul style="list-style-type: none"><li>• 1 двухцветный светодиодный индикатор состояния системы</li><li>• Два одноцветных светодиодных индикатора питания и режима корпуса</li></ul> <p><b>ПРИМЕЧАНИЕ:</b> Светодиод режима корпуса не применим к массиву хранения данных PowerVault MD3200i.</p>
Салзки для жесткого диска	<ul style="list-style-type: none"><li>• 1 одноцветный светодиодный индикатор активности</li><li>• 1 двухцветный светодиодный индикатор состояния для каждого диска</li></ul>
Источник питания и охлаждающий вентилятор	3 светодиодных индикатора состояния для индикации состояния источника питания, неисправности источника питания или вентилятора и состояния подачи переменного тока

---

**Светодиодные индикаторы (продолжение)**

---

Модуль RAID-контроллера	<p>Десять одноцветных индикаторов:</p> <ul style="list-style-type: none"><li>• Один для отказа аккумулятора</li><li>• Один для индикации активного состояния кэша</li><li>• Один для индикации отказа контроллера</li><li>• Один для индикации питания контроллера</li><li>• Один для идентификации системы</li><li>• Один для индикации действий по управлению Ethernet</li><li>• Четыре для индикации активности портов ввода iSCSI</li></ul> <p>Шесть двуцветных индикаторов:</p> <ul style="list-style-type: none"><li>• Четыре для индикации скорости каналов ввода iSCSI</li><li>• Один для индикации канала выхода SAS или отказа</li><li>• Один для индикации скорости канала управления Ethernet</li></ul>
-------------------------	---

---

**Переключатель**

---

Кнопка идентификации системы	Находится на передней панели управления. Данная кнопка используется для определения местонахождения системы в стойке.
Переключатель режима корпуса	Расположен спереди системы. Этот переключатель не применим к массиву хранения данных PowerVault MD3200i.
Переключатель сброса пароля	Расположен на задней панели модуля контроллера RAID. Этот переключатель используется для сброса пароля массива хранения данных.

---

**Источники питания**

---

Источник питания переменного тока (для каждого источника питания)

Мощность	600 Вт
Напряжение	100 — 240 В пер. тока (8,6 А — 4,3 А)
Теплоотдача	100 Вт
Максимальный бросок тока	При стандартных параметрах питающей сети и во всем рабочем диапазоне внешних параметров системы бросок тока может достигать максимум 55 А для каждого источника питания в течение не более 10 мс.

---

**Доступное питание жестких дисков (для каждого слота)**

---

PowerVault MD3200i	25 Вт
PowerVault MD3220i	12 Вт

---

**Модуль питания RAID-контроллера (на слот)**

---

Максимальная потребляемая мощность	100 Вт
------------------------------------	--------

---

**Физические характеристики**

---

PowerVault MD3200i

Высота	8,68 см (3,41 дюйма)
Ширина	44,63 см (17,57 дюйма)
Длина	60,20 см (23,70 дюйма)
Масса (макс. конфигурация)	29,30 кг (64,6 фунта)
Масса (пустой)	8,84 кг (19,5 фунта)

PowerVault MD3220i

Высота	8,68 см (3,41 дюйма)
Ширина	44,63 см (17,57 дюйма)
Длина	54,90 см (21,61 дюйма)
Масса (макс. конфигурация)	24,22 кг (53,4 фунта)
Масса (пустой)	8,61 кг (19 фунтов)

---

## Условия эксплуатации и хранения

---

**ПРИМЕЧАНИЕ:** Дополнительную информацию о параметрах окружающей среды для установки определенной конфигурации системы см. на веб-странице [www.dell.com/environmental\\_datasheets](http://www.dell.com/environmental_datasheets).

### Температура

В процессе работы От 10 до 35 °C (50 °F to 95 °F) с максимальной скоростью изменения температуры 10 °C в час

**ПРИМЕЧАНИЕ:** Если высота над уровнем моря превышает 2950 футов, максимальная рабочая температура снижается на 1°F/550 футов.

Хранение От -40° до 65°C (-40° to 149°F) с максимальной скоростью изменения температуры 20°C в час

### Относительная влажность

В процессе работы От 20% до 80% (без конденсации) с максимальными колебаниями влажности 10% в час

Хранение От 5 % до 95 % (без конденсации)

### Максимальная вибрация

В процессе работы 0,25 G при частоте от 3 до 200 Гц в течение 15 минут

Хранение 0,5 G при частоте от 3 до 200 Гц в течение 15 минут

### Максимальная ударная нагрузка

В процессе работы Один импульс ударной нагрузки с ускорением 31 G длительностью не более 2,6 мс в положительном направлении по оси z (по одному импульсу с каждой стороны системы) при рабочей ориентации

Хранение Шесть последовательных ударных импульсов 71 G длительностью не более 2 мс в положительном и отрицательном направлениях по осям x, y и z (по одному импульсу с каждой стороны системы)

---

**Условия эксплуатации и хранения (продолжение)**

---

Высота над уровнем моря

В процессе работы

От -16 до 3048 м (от -50 до 10 000 футов)

**ПРИМЕЧАНИЕ:** Если высота над уровнем моря превышает 900 м (2950 футов), максимальная рабочая температура снижается на 1 °F/168 м (550 футов) (1°F=0,555°C).

Хранение

От -16 до 10 600 м (от -50 до 35 000 футов)

Уровень загрязняющих веществ в атмосфере

Класс

G1 согласно классификации ISA-S71.04-1985



# Matrices de almacenamiento Dell PowerVault MD3200i y MD3220i

## Introducción al sistema



# Notas, precauciones y avisos



**NOTA:** una NOTA proporciona información importante que le ayudará a utilizar mejor el ordenador.



**PRECAUCIÓN:** un mensaje de PRECAUCIÓN indica la posibilidad de que se produzcan daños en el hardware o haya pérdida de datos si no se siguen las instrucciones.



**AVISO:** un mensaje de AVISO indica la posibilidad de que se produzcan daños materiales, lesiones personales e incluso la muerte.

---

**La información contenida en esta publicación puede modificarse sin previo aviso.**

**© 2011 Dell Inc. Todos los derechos reservados.**

Queda estrictamente prohibida la reproducción de estos materiales en cualquier forma sin la autorización por escrito de Dell Inc.

Marcas comerciales utilizadas en este texto: Dell™, el logotipo de DELL y PowerVault™ son marcas comerciales de Dell Inc. Microsoft® y Windows Server® son marcas comerciales o marcas comerciales registradas de Microsoft Corporation en Estados Unidos y/o en otros países. Red Hat® y Red Hat Enterprise Linux® son marcas comerciales registradas de Red Hat, Inc. en los Estados Unidos y en otros países. SUSE® es una marca comercial registrada de Novell, Inc. en los Estados Unidos y en otros países. VMware® es una marca comercial registrada de VMware, Inc. en los Estados Unidos y/o en otras jurisdicciones.

Otras marcas y otros nombres comerciales pueden utilizarse en esta publicación para hacer referencia a las entidades que los poseen o a sus productos. Dell Inc. renuncia a cualquier interés sobre la propiedad de marcas y nombres comerciales que no sean los suyos.

Modelo reglamentario, series E03J y E04J

08/2011 N/P J26CK Rev. A02



## Antes de comenzar



**NOTA:** a lo largo del documento, la matriz de almacenamiento de la serie Dell PowerVault MD3200i hace referencia a Dell PowerVault MD3200i y Dell PowerVault MD3220i. El gabinete de expansión de la serie Dell PowerVault MD1200 hace referencia a Dell PowerVault MD1200 y Dell PowerVault MD1220.

Antes de configurar la matriz de almacenamiento de la serie Dell PowerVault MD3200i, debe tener en cuenta una serie de prácticas recomendadas para garantizar que la matriz de almacenamiento funcione a un rendimiento máximo y ofrezca redundancia total (si es necesario).

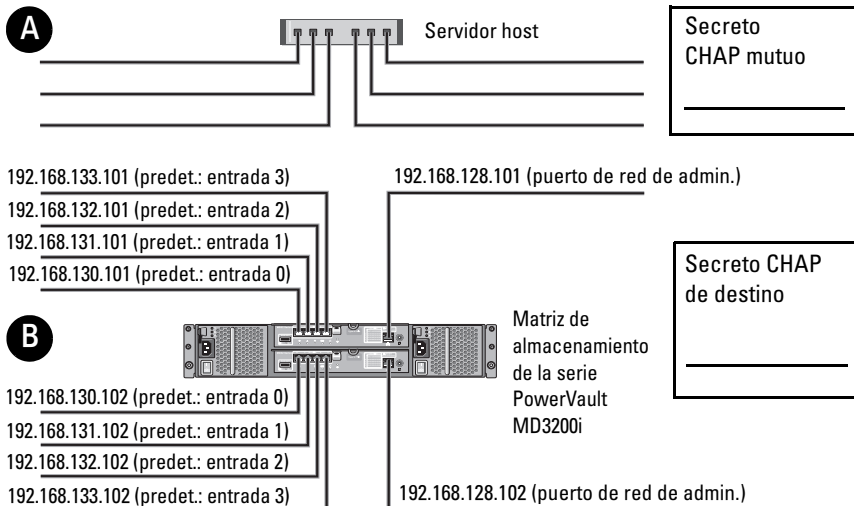
- Se recomienda utilizar una SAN IP dedicada para la transmisión de datos iSCSI. El tráfico de administración se puede aislar en una red de administración independiente.
- Complete la hoja de trabajo de configuración de iSCSI antes de configurar iSCSI. Ver “Cómo completar la hoja de trabajo de iSCSI” en la página 160. Esta hoja de trabajo reúne la información de la red física de forma centralizada.
- Una vez que haya completado la hoja de trabajo de iSCSI, dibuje la configuración antes de configurar la solución.
- Configure siempre las rutas de datos iSCSI redundantes para disponer de rutas alternativas al servidor host y desde el servidor host en caso de que se deshabilite una de las rutas de datos.
- Si se instalan varias NICs en un host, es recomendable utilizar subredes diferentes para la administración y los enlaces de datos iSCSI.
- Utilice siempre en toda la red un cable Ethernet de categoría 5e (o superior).
- Antes de conectar cables entre el servidor host y la matriz de almacenamiento, etiquete todos los puertos y conectores.
- Durante los ciclos de encendido de la red, siga siempre los procedimientos adecuados de encendido y apagado. Asegúrese también de que los componentes de red críticos se encuentren en circuitos de alimentación diferentes.



**NOTA:** en las ilustraciones de este documento se muestra el cableado de solamente una matriz de almacenamiento de la serie PowerVault MD3200i en un entorno SAN. Asimismo, las ilustraciones solo muestran las direcciones IP predeterminadas para la matriz de almacenamiento de la serie PowerVault MD3200i. Para cablear varias matrices de almacenamiento de la serie PowerVault MD3200i en un entorno SAN, ver la *Guía de implementación*.

# Cómo completar la hoja de trabajo de iSCSI

## Configuración de IPv4




*Si necesita espacio adicional para más de un servidor host, utilice otra hoja.*

<b>A</b> Dir. IP estática (servidor host)	Máscara de subred	Puerta de enlace predeterminada
Puerto 1 iSCSI	_____	_____
Puerto 2 iSCSI	_____	_____
Puerto 3 iSCSI	_____	_____
Puerto 4 iSCSI	_____	_____
Puerto de administración	_____	_____


**NOTA:** el servidor host admite un máximo de cuatro NICs.

<b>B</b> Dir. IP estática (matriz almacen.)	Máscara de subred	Puerta de enlace predeterminada
Contrl. iSCSI 0, entrada 0	_____	_____
Contrl. iSCSI 1, entrada 0	_____	_____
Contrl. iSCSI 2, entrada 0	_____	_____
Contrl. iSCSI 3, entrada 0	_____	_____
Puerto admin., contrl. 0	_____	_____
Contrl. iSCSI 1, entrada 0	_____	_____
Contrl. iSCSI 1, entrada 1	_____	_____
Contrl. iSCSI 2, entrada 1	_____	_____
Contrl. iSCSI 3, entrada 1	_____	_____
Puerto admin., contrl. 1	_____	_____

 **NOTA:** para obtener más información sobre la hoja de trabajo de IPv6, consulte la *Guía de implementación*.

## Documentación y soportes adicionales útiles

 **AVISO:** consulte la información reglamentaria y de seguridad **suministrada con el sistema. La información sobre la garantía puede estar incluida en este documento o en un documento aparte.**

 **NOTA:** todos los documentos de la matriz de almacenamiento de la serie PowerVault MD3200i están disponibles en [support.dell.com/manuals](http://support.dell.com/manuals).

- En la documentación del bastidor incluida con la solución de bastidor se describe cómo instalar el sistema en un bastidor.
- En el *Manual del propietario* se proporciona información acerca de las funciones del sistema y se describe cómo solucionar problemas del sistema e instalar o sustituir componentes del sistema.
- En la *Guía de implementación* se proporciona información acerca de la instalación y configuración del software y hardware.
- En la *Guía de CLI* se proporciona información acerca de cómo utilizar la Interfaz de línea de comandos (CLI) para configurar y administrar la matriz de almacenamiento.

- En la *SMI-S Programmer's Guide* (Guía de los programadores de SMI-S) se proporciona información acerca de cómo utilizar el proveedor y la programación de SMI-S.
- En los soportes suministrados con el sistema se incluyen documentación y herramientas para configurar y administrar el sistema, incluidas las del sistema operativo, el software de administración del sistema, las actualizaciones del sistema y los componentes del sistema que haya adquirido con el sistema.



**NOTA:** compruebe si hay actualizaciones en [support.dell.com/manuals](http://support.dell.com/manuals) y, si las hay, léalas antes de proceder a la instalación, puesto que a menudo sustituyen la información contenida en otros documentos.

## Preparación del servidor host

### Sistemas operativos admitidos

- Microsoft Windows Server
- Red Hat Enterprise Linux
- SUSE Linux Enterprise Server
- VMware



**NOTA:** si desea consultar la información más reciente acerca de todas las versiones compatibles de sistemas operativos, consulte la *Support Matrix* (Matriz de compatibilidad) en [support.dell.com/manuals](http://support.dell.com/manuals).

### NICs adicionales para iSCSI

Recomendaciones para la instalación de NICs adicionales:

- Utilice redes de almacenamiento redundante dedicadas para el tráfico iSCSI. Si no es factible disponer de una red dedicada, separe el tráfico iSCSI del tráfico de red general mediante redes de área local virtuales (VLAN).
- Utilice NICs adicionales dedicadas para el tráfico iSCSI.
- Las NICs deben añadirse en pares para obtener redundancia (máximo de cuatro NICs).



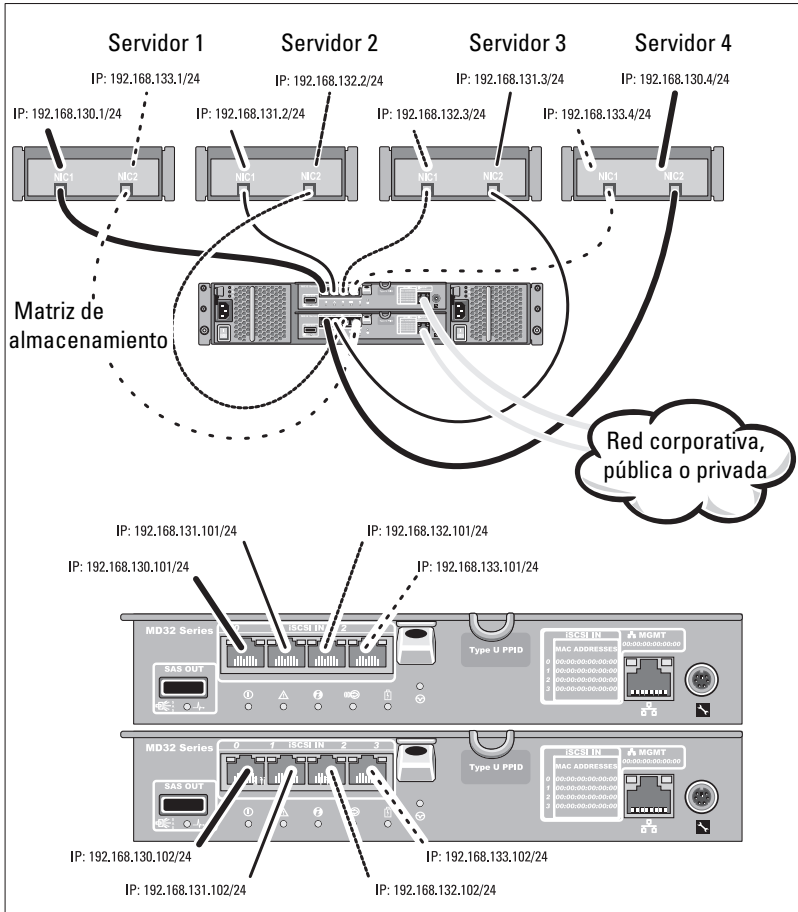
**NOTA:** también se admite una sola NIC.

### Configuración de la NIC

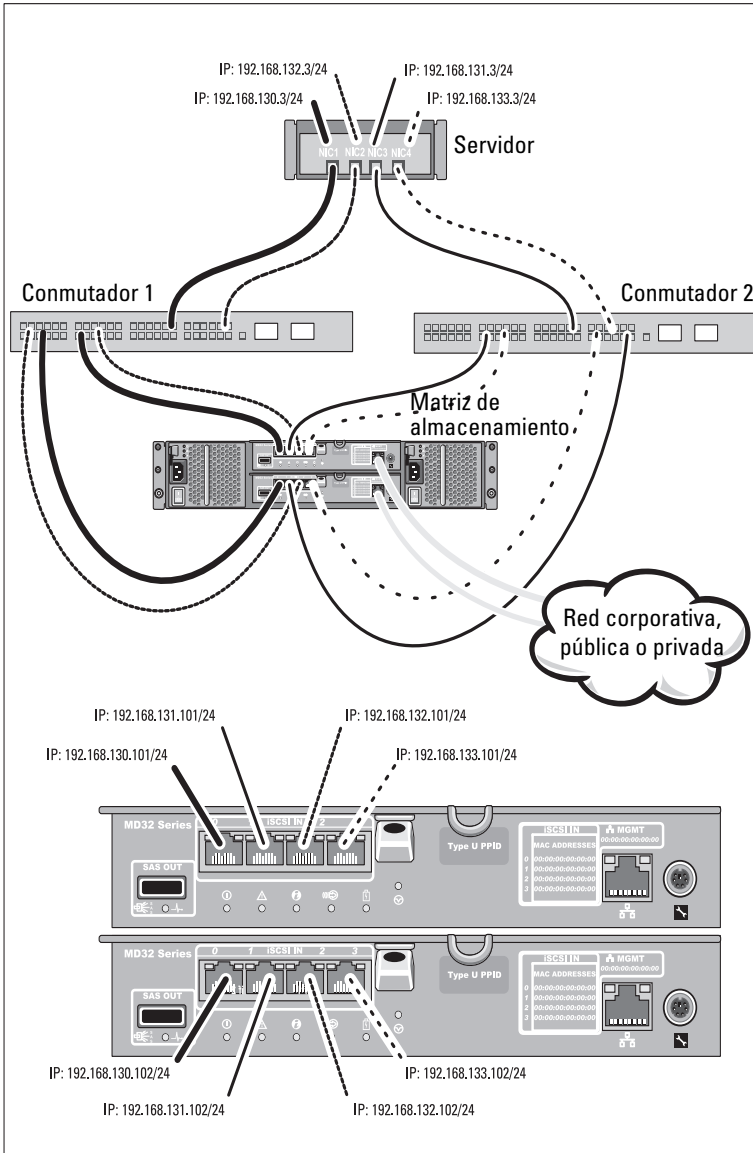
En un entorno SAN, se recomienda utilizar dos o cuatro subredes únicas para el tráfico iSCSI, en función del número de conmutadores. En los entornos de almacenamiento de conexión directa, cada NIC conectada directamente a la matriz de almacenamiento de la serie PowerVault MD3200i debe estar en una subred diferente.

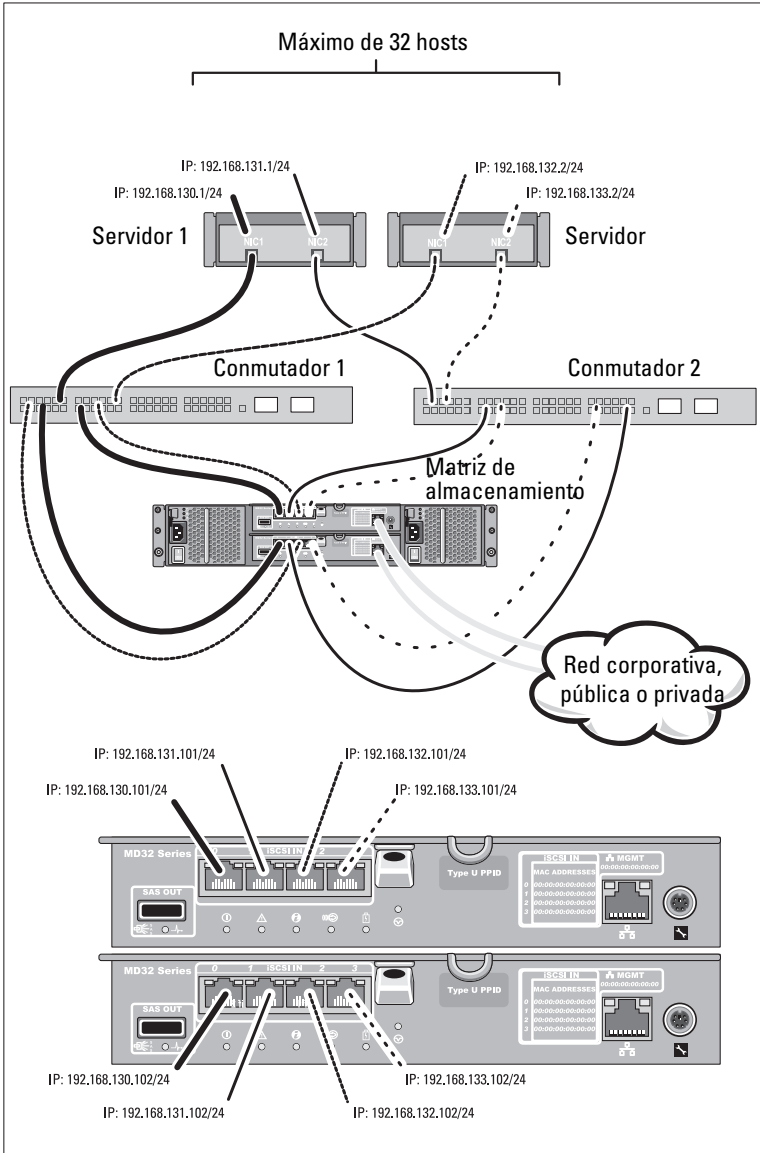
# Configuraciones comunes

## Cableado de los hosts de conexión directa



## Cableado de los hosts de conexión SAN





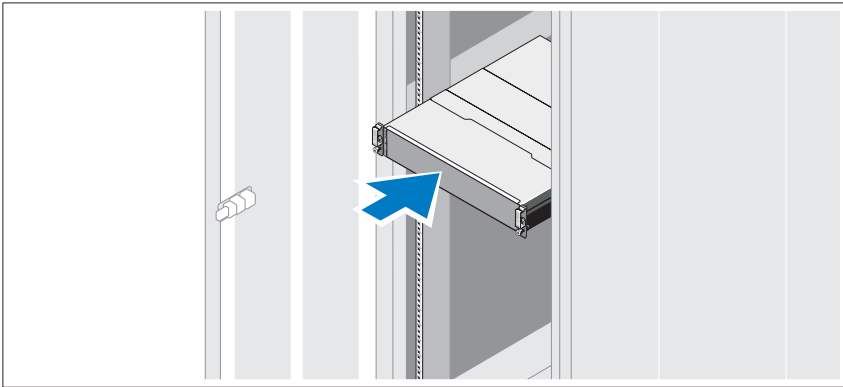
# Instalación y configuración

 **AVISO:** antes de realizar el procedimiento siguiente, revise las instrucciones de seguridad incluidas con el sistema.


## Desembalaje del sistema

Desembale el sistema e identifique cada parte de la lista de embalaje que se envió con el sistema.

## Instalación de los rieles y del sistema en un bastidor

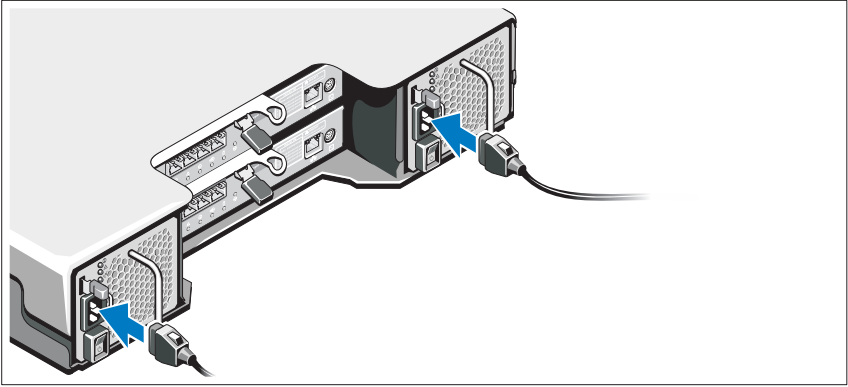


Ensamble los rieles e instale el sistema en el bastidor siguiendo las instrucciones de seguridad y de instalación del bastidor incluidas con el sistema.

 **NOTA:** para equilibrar la carga del peso, se recomienda instalar la matriz de almacenamiento de la serie PowerVault MD3200i en la parte inferior del bastidor y los gabinetes de expansión de la serie PowerVault MD1200 encima de este.

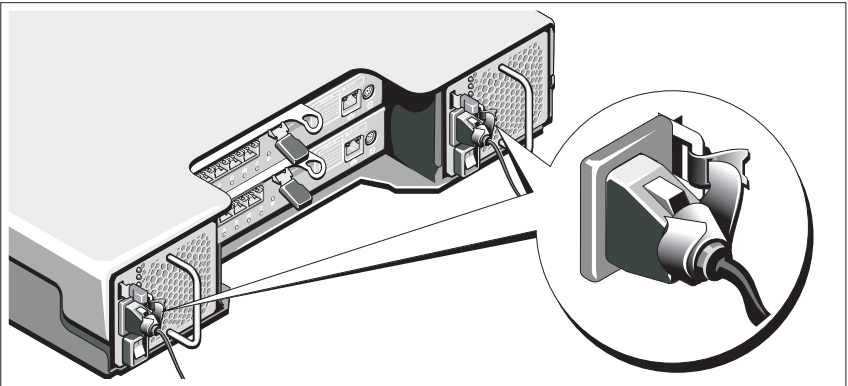


## Conexión de los cables de alimentación



Asegúrese de que el conmutador de alimentación esté en la posición de APAGADO antes de conectar los cables de alimentación. Conecte los cables de alimentación del sistema al sistema.

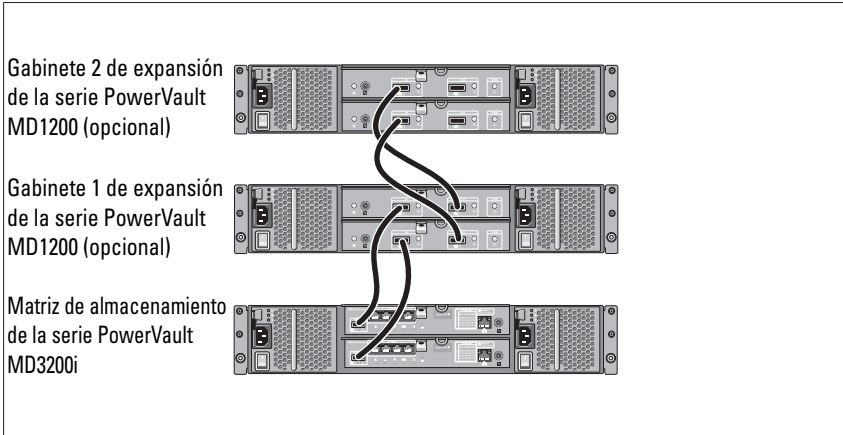
## Fijación de los cables de alimentación



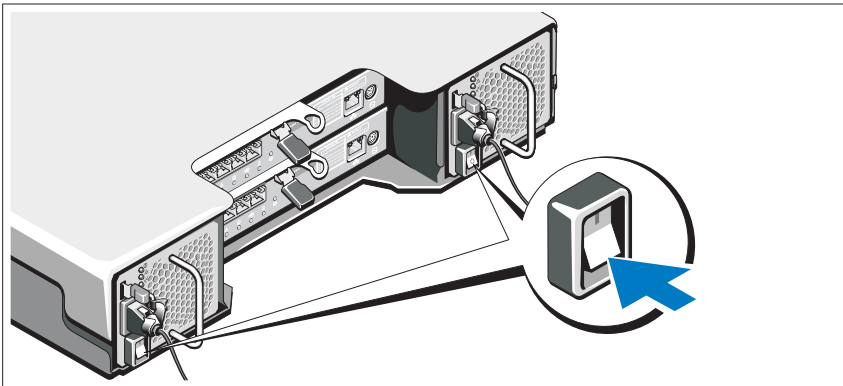
Fije los cables al soporte con firmeza con la cinta proporcionada.

Conecte el otro extremo de los cables de alimentación a una toma eléctrica con conexión a tierra o a otra fuente de alimentación, como por ejemplo un Sistema de alimentación ininterrumpida (SAI) o una Unidad de distribución de alimentación (PDU). Cada suministro de energía debe conectarse a un circuito de alimentación diferente.



## Cableado del gabinete de expansión



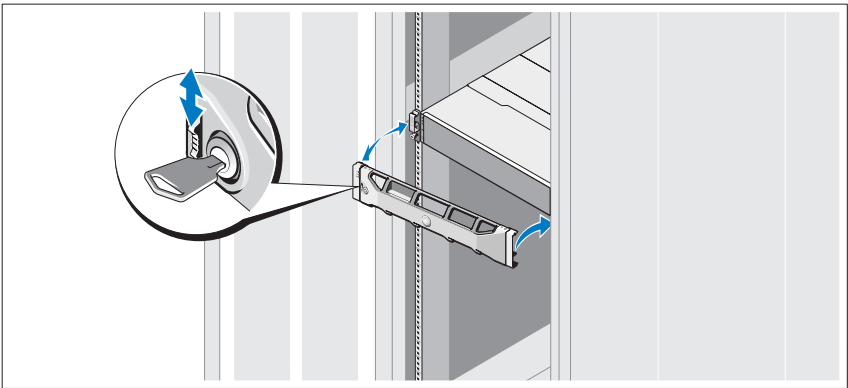
## Encendido del gabinete



Encienda los componentes en el orden siguiente:


- 1 Conmutadores Ethernet (si se utilizan).
- 2 Gabinetes de expansión de la serie PowerVault MD1200 (si se utilizan).  
 **NOTA:** antes de encender la matriz de almacenamiento, asegúrese de que el LED de estado del gabinete de expansión está iluminado en azul.
- 3 Matriz de almacenamiento de la serie PowerVault MD3200i.  
 **NOTA:** antes de encender los servidores host, asegúrese de que el LED de estado de la matriz de almacenamiento está iluminado en azul.
- 4 Servidores host.

## Instalación del bisel



Instale el bisel (opcional).

## Instalación del software MD Storage

-  **NOTA:** para obtener instrucciones detalladas acerca de la instalación del software MD Storage, la configuración del gabinete y las tareas posteriores a la instalación, consulte la *Guía de implementación*.

El software MD Storage Manager configura, administra y supervisa la matriz de almacenamiento. La MD Configuration Utility (MDCU) es una utilidad opcional que proporciona un enfoque consolidado para la configuración de puertos de administración y de host iSCSI, y de la creación de sesiones para las matrices de almacenamiento en disco modular iSCSI. Se recomienda utilizar MDCU para configurar iSCSI en cada uno de los servidores hosts conectados a la matriz de almacenamiento. Instalación del software MD Storage:


- 1 Inserte el soporte de recurso de la serie MD.

Dependiendo del sistema operativo que tenga, el instalador puede iniciarse automáticamente. Si el instalador no se inicia automáticamente, vaya al directorio raíz del soporte de instalación (o imagen del instalador descargado) y ejecute el archivo **md\_launcher.exe**. Para sistemas basados en Linux, vaya a la raíz del soporte de recursos y ejecute el archivo **autorun**.



**NOTA:** de manera predeterminada, el sistema operativo Red Hat Enterprise Linux monta el soporte de recursos con la opción **–noexec mount**, la cual no permite ejecutar archivos ejecutables. Para cambiar esta configuración, consulte el archivo **Léame** en el directorio raíz del soporte de instalación.


- 2 Seleccione **Install MD Storage Software** (Instalar el software MD Storage).
- 3 Lea y acepte el contrato de licencia.
- 4 Seleccione una de las siguientes opciones de instalación del menú desplegable **Install Set** (Conjunto de instalación):
  - **Full (recommended)** (Total [recomendado]): instala el software MD Storage Manager (cliente), el agente de almacenamiento basado en host, el controlador multirruta y proveedores de hardware.
  - **Host Only** (Solamente host): instala el agente de almacenamiento basado en host y los controladores multirrutadas.
  - **Management** (Administración): instala el software de administración y los proveedores de hardware.
  - **Custom** (Personalizado): permite seleccionar componentes específicos.
- 5 Seleccione los modelos de matrices MD Storage que está configurando para que sirvan como almacenamiento de datos para este servidor host.
- 6 Elija si desea iniciar el servicio de monitor de eventos automática o manualmente al reiniciar el servidor host

 **NOTA:** esta opción se aplica solo para la instalación del software cliente de Windows.

- 7 Confirme la ubicación de la instalación y haga clic en **Install** (Instalar).
- 8 Si se le solicita, reinicie el servidor host después de completar la instalación.
- 9 Una vez terminado el reinicio, la MDCU puede iniciarse automáticamente. Si la MDCU no se inicia automáticamente, iníciela manualmente.
  - En un sistema operativo basado en Windows, haga clic en **Inicio**→ **Dell**→ **Modular Disk Configuration Utility**.
  - En un sistema operativo basado en Linux, haga doble clic en el icono del escritorio **Modular Disk Configuration Utility**.

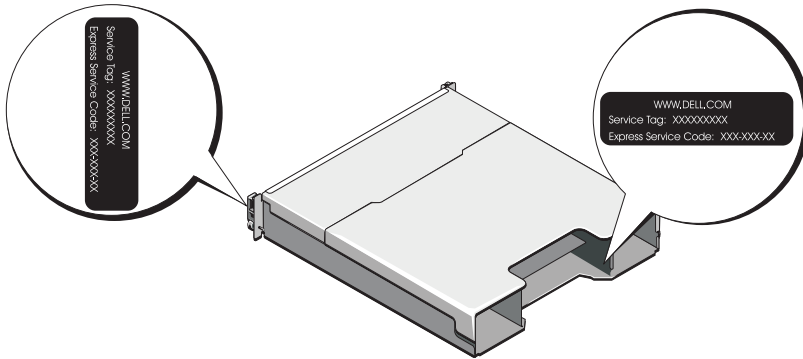
 **NOTA:** si no está instalada la MDCU, consulte la *Guía de implementación* en [support.dell.com/manuals](http://support.dell.com/manuals).

- 10 Inicie **MD Storage Manager** y detecte las matrices.
- 11 Si se aplica, active cualquiera de las funciones premium adquiridas con la matriz de almacenamiento. Si ha adquirido una función premium, consulte la tarjeta de activación impresa enviada con la matriz de almacenamiento.

 **NOTA:** el instalador de **MD Storage Manager** instala automáticamente los controladores, el firmware y las revisiones/correcciones urgentes del sistema operativo necesarios para que funcione la matriz de almacenamiento. Estos controladores y el firmware se encuentran disponibles en [support.dell.com](http://support.dell.com). Además, consulte la *Support Matrix* (Matriz de compatibilidad) en [support.dell.com/manuals](http://support.dell.com/manuals) para obtener configuraciones adicionales o software necesarios para la matriz de almacenamiento específica.

## Localización de la etiqueta de servicio

El sistema se identifica mediante un Código de servicio rápido y un número de Etiqueta de servicio únicos. El Código de servicio rápido y la Etiqueta de servicio se encuentran en la parte anterior del sistema y también en la parte posterior, junto a los módulos de la controladora RAID. Dell utiliza esta información para dirigir las llamadas de asistencia al personal correspondiente.



## Información de la NOM (sólo para México)

La información que se proporciona a continuación aparece en el dispositivo descrito en este documento en cumplimiento con los requisitos de la Norma Oficial Mexicana (NOM):

Importador:	Dell Inc. de México, S.A. de C.V. Paseo de la Reforma 2620 -11º Piso Col. Lomas Altas 11950 México, D.F.
Número de modelo:	E03J y E04J
Voltaje de alimentación:	100-240 VCA
Frecuencia:	50 Hz/60 Hz
Consumo eléctrico:	8,6 A

## Especificaciones técnicas

---

### Unidades

---

PowerVault MD3200i	Hasta doce unidades de disco duro de intercambio directo SAS de 3,5 pulgadas (3,0 Gbps y 6,0 Gbps)
PowerVault MD3220i	Hasta doce unidades de disco duro de intercambio directo SAS de 2,5 pulgadas (3,0 Gbps y 6,0 Gbps)

---

## Módulos de la controladora RAID

---

Módulos de la controladora RAID	<ul style="list-style-type: none"><li>• Uno o dos módulos de intercambio directo con sensores de temperatura</li><li>• 2 GB de caché por controladora</li></ul>
---------------------------------	---

---

## Conectores del panel posterior (por módulo de controladora RAID)

---

Conectores iSCSI	Cuatro conectores de entrada iSCSI de 1 GB para conectar hosts
Conector de expansión SAS	Un puerto de salida SAS para la expansión a un gabinete de la serie PowerVault MD1200 adicional <b>NOTA:</b> los conectores SAS son compatibles con SFF-8088.
Conector serie	Un conector miniDIN de 6 patas <b>NOTA:</b> sólo para asistencia técnica.
Conector Ethernet de administración	Un puerto Ethernet 100/1000 Base-T para la administración fuera de banda del gabinete <b>NOTA:</b> las direcciones IP de puerto de administración predeterminadas para los módulos de la controladora RAID primarios y secundarios son 192.168.128.101 y 192.168.128.102, respectivamente. De manera predeterminada, los puertos de administración están definidos para el Dynamic Host Configuration Protocol (DHCP). Si la controladora no puede encontrar una configuración de la dirección IP de un servidor DHCP en un período de tiempo especificado (aproximadamente 3 minutos), vuelve de manera predeterminada al direccionamiento IP estático. Para obtener más información, consulte la <i>Guía de implementación</i> .

---

## Expansión

---

Serie PowerVault MD1200	Admite un máximo de 192 unidades de disco duro con cualquier combinación de gabinetes de expansión PowerVault MD1200 o PowerVault MD1220. El soporte para 192 unidades de disco duro es una función Premium y requiere activación. La cantidad máxima de discos duros admitidos sin utilizar la función Premium es 120  La conectividad de la ruta de acceso redundante proporciona rutas de acceso redundantes a cada unidad de disco duro
-------------------------	---

---

## Placa de plano posterior

---

Conectores	<ul style="list-style-type: none"><li>• 12 ó 24 conectores de unidad de disco duro SAS</li><li>• Dos conectores para módulos de suministro de energía/ventilador de enfriamiento</li><li>• Dos conjuntos de conectores del módulo de controladora RAID</li><li>• Un conector del panel de control para LED anteriores y un conmutador de modo de alojamiento</li></ul>
Sensores	Dos sensores de temperatura

---

## Indicadores LED

---

Panel anterior	<ul style="list-style-type: none"><li>• Un indicador LED de dos colores para el estado del sistema</li><li>• Dos indicadores LED de un solo color para la alimentación y el modo gabinete</li></ul> <p><b>NOTA:</b> el LED del modo gabinete no es aplicable a la matriz de almacenamiento de la serie PowerVault MD3200i.</p>
Portaunidades de disco duro	<ul style="list-style-type: none"><li>• Un indicador LED de un solo color de actividad</li><li>• Un indicador LED de dos colores de estado por disco</li></ul>
Suministro de energía/ventilador de enfriamiento	Tres indicadores LED de estado para el estado del suministro de energía, los fallos del suministro de energía/ventilador y el estado de CA



---

**Indicadores LED (continuación)**

---

Módulo de la controladora RAID	Diez LEDs de un solo color: <ul style="list-style-type: none"><li>• Uno de batería defectuosa</li><li>• Uno de caché activa</li><li>• Uno de controladora defectuosa</li><li>• Uno de alimentación de controladora</li><li>• Uno de identificación del sistema</li><li>• Uno de actividad Ethernet de administración</li><li>• Cuatro de actividad del puerto de entrada iSCSI</li></ul> Seis LEDs de dos colores: <ul style="list-style-type: none"><li>• Cuatro de velocidad del enlace de entrada iSCSI</li><li>• Uno de fallo o enlace de salida de SAS</li><li>• Uno de velocidad del enlace Ethernet de administración</li></ul>
--------------------------------	--

---

**Conmutador**

---

Botón de identificación del sistema	Ubicado en el panel de control anterior. Este botón se usa para ubicar un sistema en un bastidor.
Conmutador de modo de alojamiento	Situado en la parte anterior del sistema. Este conmutador no se aplica a la matriz de almacenamiento de la serie PowerVault MD3200i
Conmutador de restablecimiento de contraseña	Situado en el panel posterior del módulo de controladora RAID. Este conmutador se utiliza para restablecer la contraseña de la matriz de almacenamiento

---

**Suministros de energía**

---

Suministro de energía de CA (por suministro de energía)

Potencia	600 W
Voltaje	100–240 VCA (8,6 A–4,3 A)
Disipación de calor	100 W
Corriente de conexión máxima	En condiciones normales de línea y en todo el rango operativo ambiente del sistema, la irrupción de corriente puede alcanzar un máximo de 55 A por cada suministro de energía durante 10 ms o menos

---

**Alimentación de la unidad de disco duro disponible (por ranura)**

---

PowerVault MD3200i	25 W
PowerVault MD3220i	12 W

---

**Alimentación del módulo de controladora RAID (por ranura)**

---

Consumo de energía máximo	100 W
---------------------------	-------

---

**Características físicas**

---

PowerVault MD3200i

Altura	8,68 cm (3,41 pulgadas)
Anchura	44,63 cm (17,57 pulgadas)
Profundidad	60,20 cm (23,70 pulgadas)
Peso (configuración máxima)	29,30 kg (64,6 libras)
Peso (vacío)	8,84 kg (19,5 libras)

PowerVault MD3220i

Altura	8,68 cm (3,41 pulgadas)
Anchura	44,63 cm (17,57 pulgadas)
Profundidad	54,90 cm (21,61 pulgadas)
Peso (configuración máxima)	24,22 kg (53,4 libras)
Peso (vacío)	8,61 kg (19 libras)

---

## Especificaciones medioambientales

---

**NOTA:** para obtener información adicional acerca de medidas ambientales relativas a configuraciones del sistema específicas, vaya a [www.dell.com/environmental\\_datasheets](http://www.dell.com/environmental_datasheets).

### Temperatura

En funcionamiento	De 10 °C a 35 °C (de 50 °F a 95 °F) con una gradación de temperatura máxima de 10 °C por hora <b>NOTA:</b> para altitudes superiores a 900 m, la temperatura máxima de funcionamiento se reduce 1 °C cada 334 m (1 °F/550 pies)
Almacenamiento	De -40 °C a 65 °C (de -40 °F a 149 °F) con una gradación de temperatura máxima de 20 °C por hora

### Humedad relativa

En funcionamiento	Del 20 al 80% (sin condensación) con una gradación de humedad máxima del 10% por hora
Almacenamiento	Del 5 al 95% (sin condensación)

### Vibración máxima

En funcionamiento	De 0,25 G a 3-200 Hz durante 15 minutos
Almacenamiento	De 0,5 G a 3-200 Hz durante 15 minutos

### Impacto máximo

En funcionamiento	Un choque en el sentido positivo del eje z (un choque en cada lado del sistema) de 31 G durante 2,6 ms en la orientación de funcionamiento
Almacenamiento	Seis impulsos de choque ejecutados consecutivamente en los ejes x, y y z positivo y negativo (un impulso en cada lado del sistema) de 71 G durante un máximo de 2 ms

### Altitud

En funcionamiento	De -16 m a 3.048 m (de -50 pies a 10.000 pies) <b>NOTA:</b> para altitudes superiores a 900 m (2.950 pies), la temperatura máxima de funcionamiento se reduce 1 °C cada 334 m (1 °F/550 pies)
Almacenamiento	De -16 m a 10,600 m (de -50 pies a 35.000 pies)

### Nivel de contaminación atmosférica

Clase	G1 de acuerdo con ISA-S71.04-1985
-------	-----------------------------------



Dell PowerVault MD3200i ve  
MD3220i Depolama Dizileri

# Sisteminizi Kullanmaya Başlarken

Resmi Model Serisi E03J ve E04J



# Notlar, Dikkat Edilecek Noktalar ve Uyarılar



**NOT:** NOT, bilgisayarınızdan daha iyi şekilde yararlanmanıza yardımcı olacak önemli bilgiler verir.



**DİKKAT: DİKKAT,** yönergelere uyulmadığında donanımın zarar görebileceğini veya veri kaybı olabileceğini belirtir.



**UYARI: UYARI,** meydana gelebilecek olası maddi hasar, kişisel yaralanma veya ölüm tehlikesi anlamına gelir.

---

**Bu belgedeki bilgiler önceden bildirilmeksizin değiştirilebilir.**

**© 2011 Dell Inc. Tüm hakları saklıdır.**

Dell Inc.'in yazılı izni olmadan bu belgelerin herhangi bir şekilde çoğaltılması kesinlikle yasaktır.

Bu metinde kullanılan ticari markalar: Dell™, DELL logosu ve PowerVault™ Dell Inc. kuruluşunun ticari markalarıdır. Microsoft® ve Windows Server®, Microsoft Corporation kuruluşunun ABD ve/veya diğer ülkelerdeki ticari markaları ya da tescilli ticari markalarıdır. Red Hat® ve Red Hat Enterprise Linux® Red Hat, Inc. şirketinin ABD ve diğer ülkelerdeki tescilli ticari markalarıdır. SUSE® Novell, Inc. şirketinin ABD ve diğer ülkelerdeki tescilli ticari markasıdır. VMware® VMware, Inc. şirketinin ABD ve/veya diğer hükümetlerdeki tescilli ticari markasıdır.

Bu belgede, marka ve adların sahiplerine ya da ürünlerine atıfta bulunmak için başka ticari marka ve ticari adlar kullanılabilir. Dell Inc. kendine ait olanların dışındaki ticari markalar ve ticari isimlerle ilgili hiçbir mülkiyet hakkı olmadığını beyan eder.

Resmi Model Serisi E03J ve E04J

2011 - 08 P/N J26CK Rev. A02

## Başlamadan Önce



**NOT:** Bu belgenin tamamında Dell PowerVault MD3200i serisi depolama dizisi, hem Dell PowerVault MD3200i hem de Dell PowerVault MD3220i ürününü ifade etmektedir. Dell PowerVault MD1200 serisi genişletme kasaları hem Dell PowerVault MD1200 hem de Dell PowerVault MD1220 ürününü ifade etmektedir.

Dell PowerVault MD3200i depolama dizinizi kurmadan önce, depolama dizinizin maksimum verimlilikte çalışması ve tam yedeklilik sunması için (gerekliyse), belirli en iyi uygulamaları göz önünde bulundurun.

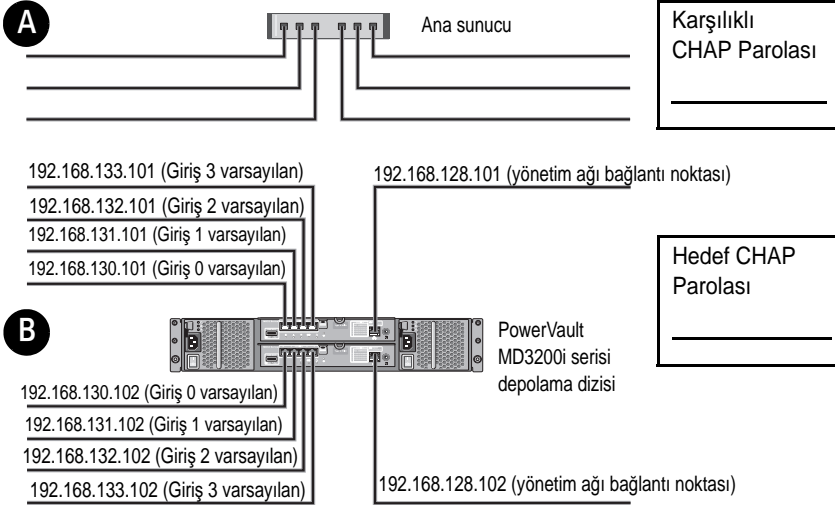
- iSCSI veri aktarımı için IP SAN kullanılması önerilir. Yönetim trafiği ayrı bir yönetim ağında izole edilebilir.
- iSCSI ögesini yapılandırmadan önce, iSCSI yapılandırma işlem tablosunu tamamlayın. Bkz. “iSCSI İşlem Tablosunu Tamamlama” sayfa 182. Bu işlem tablosu, fiziksel ağ bilgilerini tek bir kaynağa toplar.
- iSCSI işlem tablosunu tamamladıktan sonra, çözümü kurmadan önce yapılandırmayı belirleyin.
- Veri yollarının devre dışı kalması durumunda kullanılmak üzere ana sunucuya giden, ana sunucudan gelen alternatif yollar sağlamak için, her zaman yedekli iSCSI veri yolları yapılandırın.
- Ana sunucuya birden fazla NIC takılmışsa, yönetim ve iSCSI veri bağlantıları için farklı alt ağlar kullanmanız önerilmektedir.
- Ağ boyunca, Kategori 5e (veya üstü) Ethernet kablosu kullanın.
- Ana sunucu ve depolama dizisi arasına herhangi bir kablo bağlamadan önce, her bir bağlantı noktasını ve konektörü fiziksel olarak etiketleyin.
- Ağ boyunca güç dolaşımı sağlarken, her zaman güç açma ve güç kapama yordamlarını uygulayın. Ayrıca, kritik ağ bileşenlerinin farklı güç devrelerinde olduğundan da emin olmalısınız.



**NOT:** Bu belgedeki şekiller, yalnızca tek bir PowerVault MD3200i serisi depolama dizisinin SAN ortamında kablolanmasını gösterir. Ayrıca, şekiller PowerVault MD3200i serisi depolama dizisi için yalnızca varsayılan IP adreslerini gösterir. Birden fazla PowerVault MD3200i serisi depolama dizisini SAN ortamında kablolamak için bkz. *Uygulama Kılavuzu*.

# iSCSI İşlem Tablosunu Tamamlama

## IPv4 Ayarları



Birden fazla ana sunucu için daha fazla alana ihtiyacınız varsa, ek bir işlem tablosu kullanabilirsiniz.


<b>A</b> Statik IP adresi (ana sunucu)	Alt ağ maskesi	Varsayılan ağ geçidi
iSCSI bağlantı noktası 1	___ . ___ . ___ . ___	___ . ___ . ___ . ___
iSCSI bağlantı noktası 2	___ . ___ . ___ . ___	___ . ___ . ___ . ___
iSCSI bağlantı noktası 3	___ . ___ . ___ . ___	___ . ___ . ___ . ___
iSCSI bağlantı noktası 4	___ . ___ . ___ . ___	___ . ___ . ___ . ___
Yönetim bağlantı noktası	___ . ___ . ___ . ___	___ . ___ . ___ . ___




**NOT:** Ana sunucu dört adet NIC'e kadar destekleyebilir.




<b>B</b> Statik IP adresi (depolama dizisi)	Alt ađ maskesi	Varsayılan ađ geidi
iSCSI denetleyici 0, Giriř 0	— . — . — . — . —	— . — . — . — . —
iSCSI denetleyici 0, Giriř 1	— . — . — . — . —	— . — . — . — . —
iSCSI denetleyici 0, Giriř 2	— . — . — . — . —	— . — . — . — . —
iSCSI denetleyici 0, Giriř 3	— . — . — . — . —	— . — . — . — . —
Yönetim bađlantı noktası dntlyc 0	— . — . — . — . —	— . — . — . — . —
iSCSI denetleyici 1, Giriř 0	— . — . — . — . —	— . — . — . — . —
iSCSI denetleyici 1, Giriř 1	— . — . — . — . —	— . — . — . — . —
iSCSI denetleyici 1, Giriř 2	— . — . — . — . —	— . — . — . — . —
iSCSI denetleyici 1, Giriř 3	— . — . — . — . —	— . — . — . — . —

 **NOT:** IPv6 iřlem tablosu hakkında bilgi almak için, bkz. *Uygulama Kılavuzu*.

## İhtiya Duyabileceđiniz Diđer Belge ve Ortamlar

 **UYARI:** Sisteminizle birlikte verilen güvenlik bilgilerine ve düzenleyici bilgilere bakın. Garanti bilgileri bu belgeye dahil edilmiř veya ayrı bir belge olarak eklenmiř olabilir.

 **NOT:** Tüm PowerVault MD3200i serisi depolama dizisi belgelerini [support.dell.com/manuals](http://support.dell.com/manuals) adresinde bulabilirsiniz.

- Raf çözümlünüze eklenen raf belgeleri sisteminizin rafa nasıl monte edileceđini açıklamaktadır.
- *Kullanıcı El Kitabı*, sistem özellikleri üzerine bilgiler içermekte ve sistemde sorun giderme, sistem bileřenlerinin yüklenmesi veya deđiřtirilmesi iřlemlerinin nasıl yapılacađını anlatmaktadır.
- *Uygulama Kılavuzu*, yazılım ve donanımın kurulması ve yapılandırılması hakkında bilgiler sunar.
- *CLI Kılavuzu*, depolama dizinizi yapılandırmak ve yönetmek için komut hattı arabiriminin (CLI) kullanılması hakkında bilgiler sunar.

- *SMI-S Programlayıcı Kılavuzu*, SMI-S sağlayıcının kullanılması ve SMI-S programlama hakkında bilgiler sunar.
- Sisteminizle birlikte satın aldığınız işletim sistemi, sistem yönetimi yazılımı, sistem güncellemeleri ve sistem bileşenleri ile ilgili olanlar dahil, sisteminizle birlikte gönderilen ve sisteminizin yapılandırılması ve yönetilmesi için belgeler ve araçlar sunan her türlü ortam.



**NOT:** Her zaman [support.dell.com/manuals](https://support.dell.com/manuals) adresindeki güncellemeleri kontrol edin ve genellikle diğer belgelerdekenden daha güncel bilgiler içerdiği için ilk önce güncellemeleri okuyun.

## Ana Sunucuyu Hazırlama

### Desteklenen İşletim Sistemleri

- Microsoft Windows Server
- Red Hat Enterprise Linux
- SUSE Linux Enterprise Server
- VMware



**NOT:** Tüm desteklenen işletim sistemi sürümleri hakkında en yeni bilgiler için, bkz. [support.dell.com/manuals](https://support.dell.com/manuals) adresindeki *Destek Matrisi* bölümü

### iSCSI için ek NIC'ler

NIC'lerin takılması sırasında, aşağıdakileri uygulanması önerilir:

- iSCSI trafiği için özel, yedekli depolama ağları kullanın. Özel ağ uygun değilse, sanal yerel ağlar (VLAN) kullanarak, iSCSI trafiğini genel ağ trafiğinden izole edin.
- iSCSI trafiği için özel, ek NIC'ler kullanın.
- NIC'ler yedeklilik için çiftler halinde eklenmelidir (dört adet NIC'e kadar).



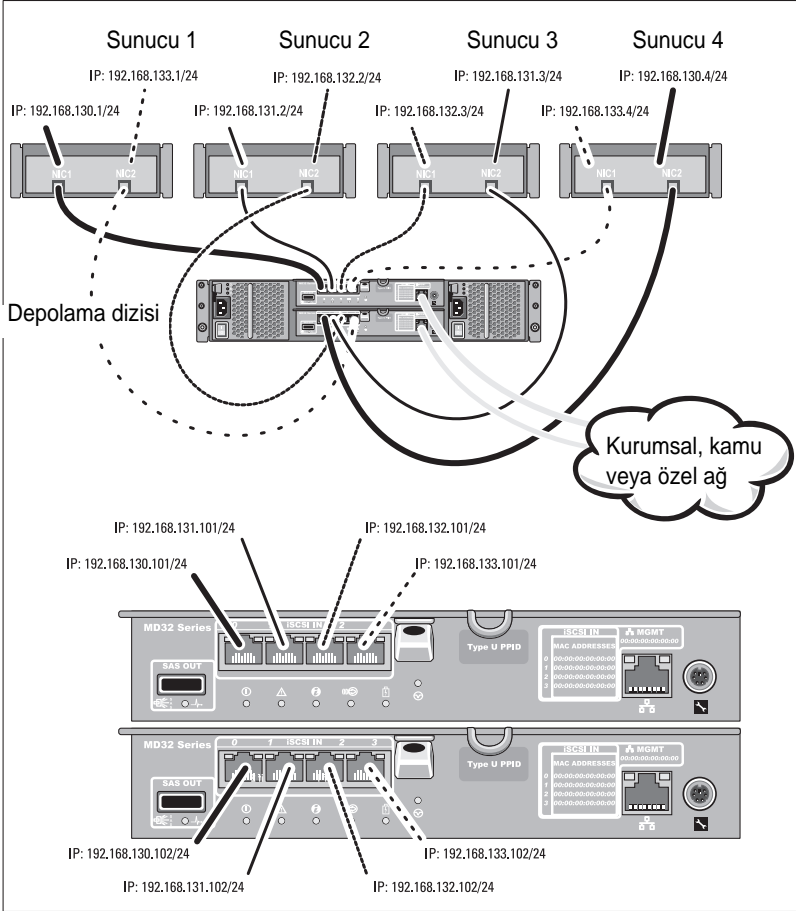
**NOT:** Tek NIC de desteklenir.

### NIC Yapılandırma

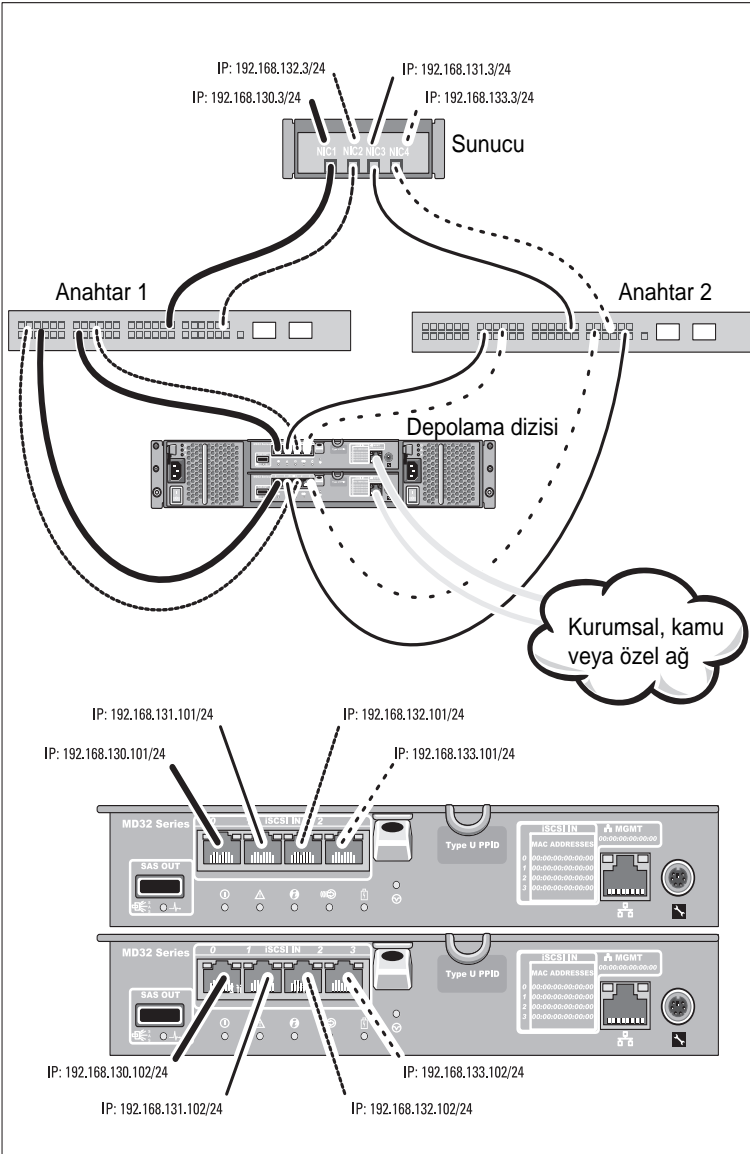
SAN ortamında, anahtar sayısına bağlı olarak, iSCSI trafiği için iki veya dört özel alt ağ kullanmanız önerilir. Doğrudan eklenen depolama ortamlarında, PowerVault MD3200i serisi depolama dizisine doğrudan bağlanan her NIC ayrı bir alt ağda olmalıdır.

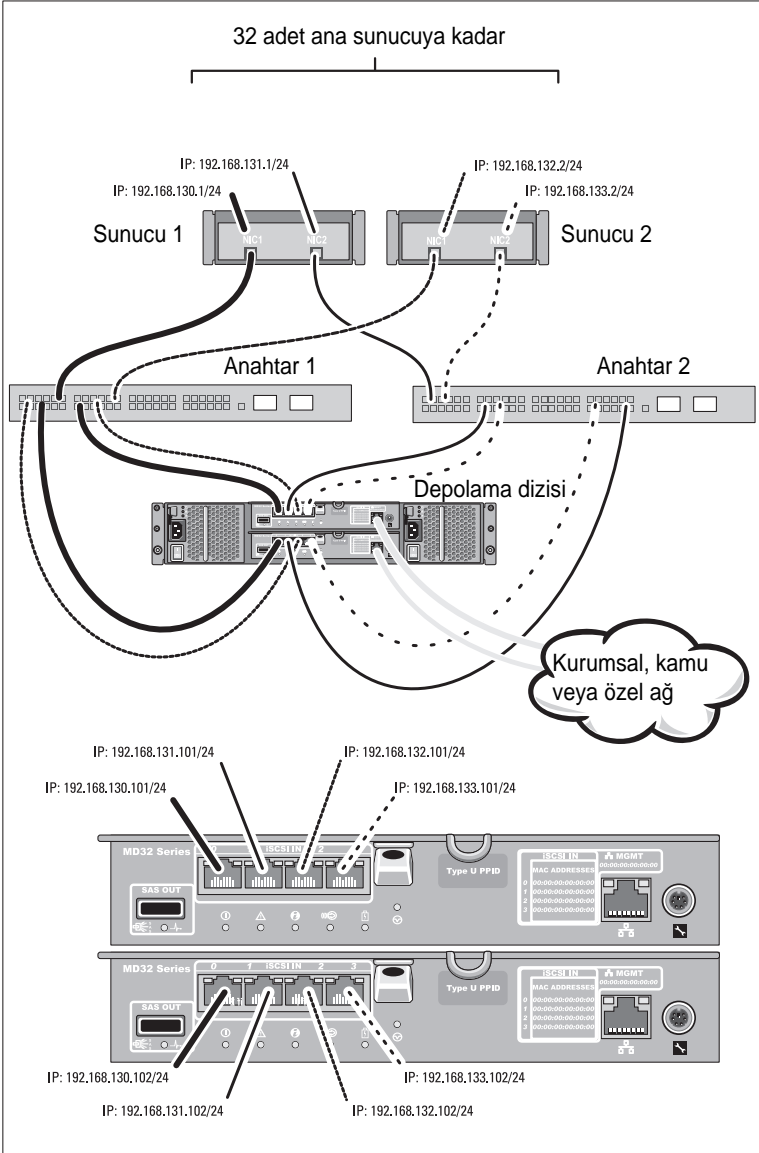
# Genel Yapılandırmalar

## Doğrudan Bağlanan Ana Sunucularınızı Kablolama



## SAN Ortamına Bağlanan Ana Sunucularınızı Kablolama





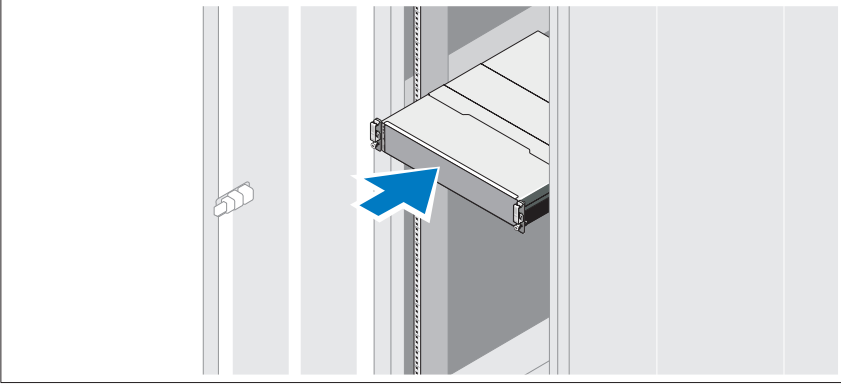
# Kurulum ve Yapılandırma

**⚠ UYARI:** Bir sonraki yordamı uygulamadan önce, sistemle birlikte gelen güvenlik yönergelerini inceleyin.

## Sistemi Paketinden Çıkarma

Sisteminizi paketinden çıkarın ve ambalaj listesindeki tüm öğelerin sisteminizde bulunup bulunmadığını kontrol edin.

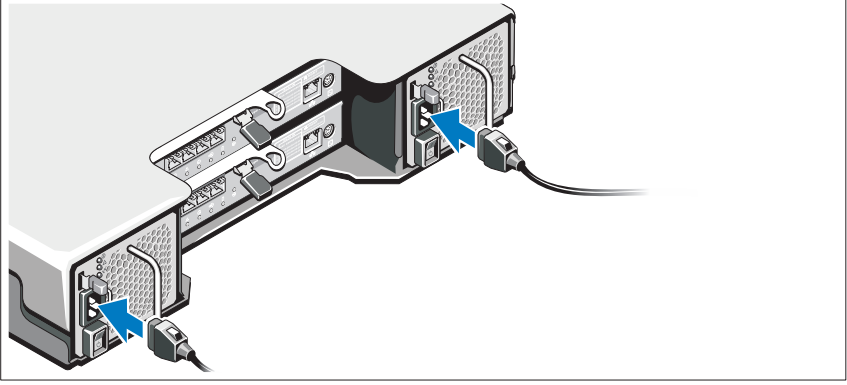
## Rayları ve Sistemi Rafa Monte Etme



Rayların ve sistemin rafa montajını sistemle birlikte sağlanan güvenlik yönergelerini ve raf montaj yönergelerini izleyerek gerçekleştirin.

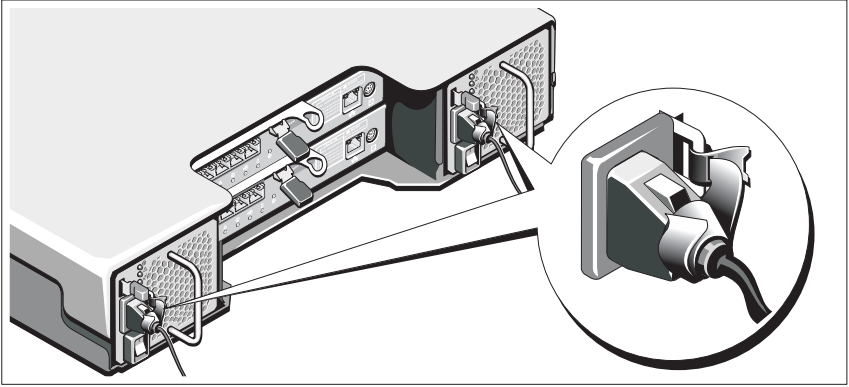
**📌 NOT:** Ağırlık yükünü dengelemek için, PowerVault MD3200i serisi depolama dizisini rafın alt kısmına ve PowerVault MD1200 genişletme kasalarını bunun üzerine monte etmeniz önerilir.

## Güç Kablolarının Bağlanması



Güç kablolarını bağlamadan önce güç anahtarının KAPALI konumda olduğundan emin olun. Sistemin güç kablolarını sisteme bağlayın.

## Güç Kablolarının Sabitlenmesi



Sağlanan şeridi kullanarak kabloları desteğe sıkıca sabitleyin.

Güç kablolarının diğer uçlarını topraklı bir elektrik prizine ya da kesintisiz güç kaynağı (UPS) veya güç dağıtım birimi (PDU) gibi ayrı bir güç kaynağına takın. Her bir güç kaynağı ayrı bir güç devresine bağlanmalıdır.

## Geniřletme Kasanızı Kablolama

PowerVault MD1200  
serisi geniřletme  
kasası 2 (isteęe baęlı)



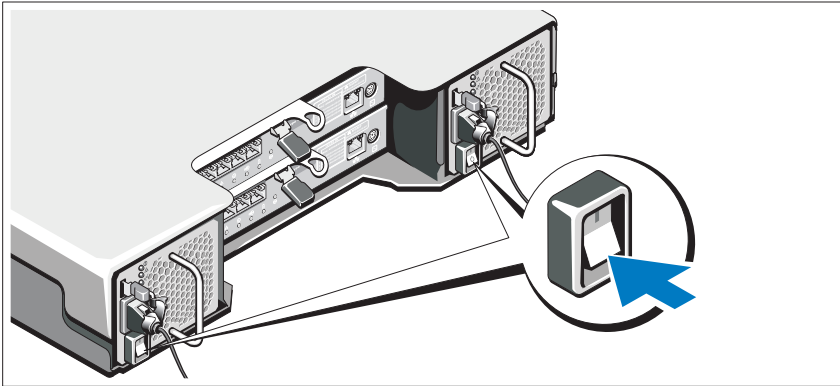
PowerVault MD1200  
serisi geniřletme  
kasası 1 (isteęe baęlı)



PowerVault MD3200i  
serisi depolama dizisi





## Kasayı Ama

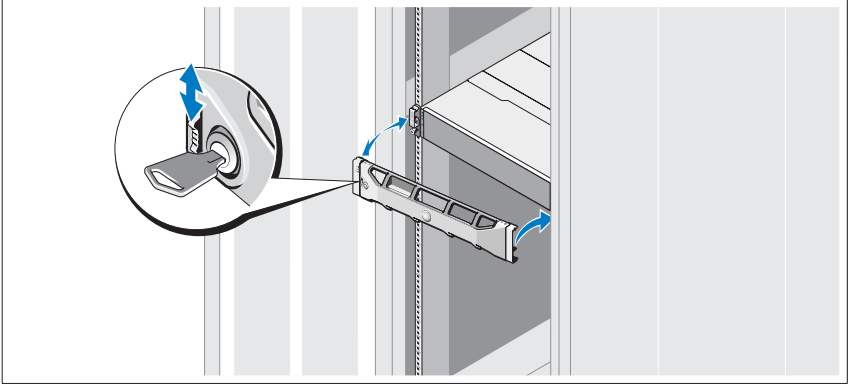




Bileşenleri aşağıdaki sırayla açın


- 1 Ethernet anahtarları (kullanılıyorsa)
- 2 PowerVault MD1200 serisi genişletme kasaları (kullanılıyorsa)  
 **NOT:** Depolama dizisini açmadan önce, genişletme kasası durum LED'inin mavi yandığından emin olun.
- 3 PowerVault MD3200i serisi depolama dizisi  
 **NOT:** Ana sunucuları açmadan önce, depolama dizisi durum LED'inin mavi yandığından emin olun.
- 4 Ana sunucular

## Çerçevenin Takılması



Çerçeveyi takın (isteğe bağlı).

## MD Depolama Yazılımını Kurma

-  **NOT:** MD depolama yazılımını kurma, kasayı kurma ve kurulum sonrası görevlerle ilgili ayrıntılı yönergeler için, bkz. *Uygulama Kılavuzu*.


MD Depolama Yöneticisi yazılımı, depolama dizisini yapılandırır, yönetir ve izler. MD Yapılandırma Yardımcı Programı (MDCU), yönetim ve iSCSI ana sunucu bağlantı noktalarının yapılandırılması ve iSCSI modüler disk depolama dizilerinde oturumlar oluşturulmasına yönelik birleştirilmiş bir yaklaşım sunan isteğe bağlı bir yardımcı programdır. Depolama dizisine bağlanan her ana sunucuda iSCSI yapılandırması için MDCU kullanılması önerilir. MD depolama yazılımını kurmak için:

- 1 MD serisi kaynak ortamını takın.

İşletim sisteminize bağlı olarak yükleyici otomatik olarak başlamalıdır. Yükleyici otomatik olarak çalışmazsa, kurulum ortamının kök dizinine gidin (veya yükleyici görüntüsünü indirin) ve **md\_launcher.exe** dosyasını çalıştırın. Linux tabanlı sistemlerde, kaynak ortamın köküne gidin ve **autorun** dosyasını çalıştırın.



**NOT:** Red Hat Enterprise Linux işletim sistemi, varsayılan olarak, kaynak ortamı yürütülebilir dosyaları çalıştırmanıza olanak tanımayan **–noexec montaj** seçeneğiyle monte eder. Bu ayarı değiştirmek için kurulum ortamının kök dizinindeki **Benioku** dosyasına bakın.

- 2 **MD Depolama Yazılımını Kur** seçeneğini belirleyin.
  - 3 Lisans sözleşmesini okuyun ve kabul edin.
  - 4 **Kurulum Grubu** açılır menüsünden aşağıdaki kurulum seçeneklerinden birini seçin:
    - **Tam (önerilen)**— MD Depolama Yöneticisi (istemci) yazılımını, ana sunucu tabanlı depolama aracısını, çok yönlü sürücüyü ve donanım sağlayıcıları yükler.
    - **Sadece Ana Makine**—Ana sunucu tabanlı depolama aracısını ve çok yönlü sürücülerini yükler.
    - **Yönetim**—Yönetim yazılımını ve donanım sağlayıcıları yükler.
    - **Özel**—Belirli bileşenleri seçmenize olanak tanır.
  - 5 Bu ana sunucu için veri depolamaya yönelik ayarladığınız MD depolama dizisi modellerini seçin.
  - 6 Ana sunucu yeniden başlatıldığında olay izleyicisi hizmetinin manuel ya da otomatik olarak başlatılacağını seçin.
-  **NOT:** Bu seçenek sadece Windows istemci yazılımı kurulumu için geçerlidir.
- 7 Yükleme konumunu onaylayın ve **Yükle** öğesini tıklayın.
  - 8 İstenirse kurulum tamamlandığında ana sunucuyu yeniden başlatın.
  - 9 Yeniden başlatma tamamlandığında MDCU otomatik olarak başlamalıdır. MDCU otomatik olarak başlamazsa, manuel olarak başlatın.
    - Windows tabanlı işletim sisteminde Başlat → **Dell** → **Modüler Disk Yapılandırma Yardımcı Programı Başlat** seçeneğini tıklayın.
    - Linux tabanlı işletim sisteminde, masaüstündeki **Modüler Disk Yapılandırma Yardımcı Programı** simgesini çift tıklayın.

**NOT:** MDCU yüklü değilse [support.dell.com/manuals](http://support.dell.com/manuals) adresindeki *Uygulama Kılavuzuna* bakın.

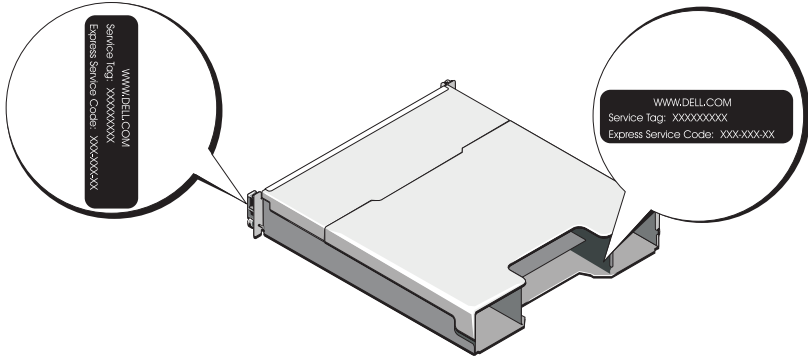
**10 MD Depolama Yöneticisi**'ni başlatın ve dizileri algılamasını sağlayın.

**11** Mevcutsa, depolama diziniz ile birlikte satın aldığımız premium özellikleri etkinleştirin. Premium özellikler satın aldıysanız depolama diziniz ile birlikte gönderilen baskılı etkinleştirme kartınıza bakın.

**NOT: MD Depolama Yöneticisi** yükleyicisi depolama dizinizi çalıştırmak için gerekli sürücüler, ürün yazılımını ve işletim sistemi yamalarını/düzeltilmelerini otomatik olarak yükler. Bu sürücüler ve ürün yazılımlarını [support.dell.com](http://support.dell.com) adresinden de edinebilirsiniz. Ayrıca, depolama dizinize yönelik ek ayarlar ve/veya yazılımlar için [support.dell.com/manuals](http://support.dell.com/manuals) adresindeki *Support Matrix* (Destek Matrisi) bölümüne bakın.

## Servis Etiketinizin Yerini Bulma

Sisteminiz benzersiz bir Hızlı Hizmet Kodu ve Hizmet Etiketi numarası aracılığıyla tanınır. Express Hizmet Kodu ve Hizmet Etiketi sistemin ön tarafında ve arka tarafında RAID denetleyici modüllerinin yanında bulunur. Bu bilgiler, Dell tarafından destek aramalarının uygun personele yönlendirilmesinde kullanılır.



# NOM Bilgisi (Yalnızca Meksika İçin)

Aşağıdaki bilgiler, resmi Meksika standartlarının (NOM) gerekliliklerine uygun olarak bu belgede açıklanan aygıt üzerinde bulunmaktadır:

İthalatçı:	Dell Inc. de México, S.A. de C.V. Paseo de la Reforma 2620 -11º Piso Col. Lomas Altas 11950 México, D.F.
Model numarası:	E03J ve E04J
Besleme gerilimi:	100–240 V CA
Frekans:	50/60 Hz
Akım tüketimi:	8,6 A

## Teknik Özellikler

### Sürücüler

PowerVault MD3200i	Çalışırken değiştirilebilen 12 adete kadar 3,5 inç SAS sabit sürücü (3,0 Gbps ve 6,0 Gbps)
PowerVault MD3220i	Çalışırken değiştirilebilen 24 adete kadar 2,5 inç SAS sabit sürücü (3,0 Gbps ve 6,0 Gbps)

### RAID Denetleyici Modülleri

RAID denetleyici modülleri	<ul style="list-style-type: none"><li>Sıcaklık sensörlü bir veya iki adet çalışırken değiştirilebilen modül</li><li>Denetleyici başına 2 GB önbellek</li></ul>
----------------------------	--

### Arka Panel Konektörleri (RAID Denetleyici Modülü Başına)

iSCSI konektörler	Ana sunucuya bağlantı için dört adet 1 GB iSCSI Giriş konektörü
SAS genişletme konektörü	Genişletme kasası ve ek PowerVault MD1200 serisi kasa için bir adet SAS Çıkış konektörü. <b>NOT:</b> SAS konektörleri, SFF-8088 uyumludur.
Seri konektör	Bir adet 6 pimli mini DIN konektörü <b>NOT:</b> Sadece teknik destek amaçlı kullanım için.

---

## Arka Panel Konektörleri (RAID Denetleyici Modülü Başına) (devamı)

---

Yönetim Ethernet konektörü

Kasanın bant dışı yönetimi için bir adet 100/1000 Base-T port Ethernet

**NOT:** Birincil ve ikincil RAID denetleyici modülleri için varsayılan yönetim bağlantı noktası IP adresleri sırasıyla: 192.168.128.101 ve 192.168.128.102 Varsayılan olarak yönetim bağlantı noktaları Dinamik Ana Makine Yapılandırma Protokolü'ne (DHCP) ayarlıdır. Denetleyici belirli bir zaman aşımı süresi (yaklaşık 3 dakika) içinde DHCP sunucusundan IP adresi yapılandırması alamazsa varsayılan statik IP adresi ayarına geri döner. Daha fazla bilgi için *Uygulama Kılavuzu'na* bakın.

---

## Genişletme

---

PowerVault MD1200 serisi

PowerVault MD1200 veya PowerVault MD1220 genişletme kasalarının tüm kombinasyonlarıyla maksimum 192 adet sabit sürücüyü destekler. 192 sabit sürücü desteği Premium Özelliştirme gerektirir. Premium Özellik kullanılmadan desteklenen maksimum sabit sürücü sayısı 120'dir.

Yedek yol bağlantısı, her sabit sürücüye yedek veri yolları sağlar.

---

## Arka Panel Kartı

---

Konektörler

- 12 veya 24 adet SAS sabit sürücü konektörü
- İki güç kaynağı/soğutma fanı modülü konektörü
- İki set RAID denetleyici modülü konektörü
- Ön LED'ler ve kasa modu anahtarları için bir adet kontrol paneli konektörü

Sensörler

İki adet sıcaklık sensörü

---

## LED Göstergeleri

---

Ön panel	<ul style="list-style-type: none"><li>• Sistem durumu için bir adet iki renkli LED göstergesi</li><li>• Güç ve kasa modu için iki adet tek renkli LED göstergesi</li></ul> <p><b>NOT:</b> PowerVault MD3200i serisi depolama dizisinde, kasa modu LED'i bulunmamaktadır.</p>
Sabit sürücü taşıyıcısı	<ul style="list-style-type: none"><li>• Bir adet tek renkli etkinlik LED'i</li><li>• Sürücü başına bir adet iki renkli LED durumu göstergesi</li></ul>
Güç kaynağı/soğutma fanı	Güç kaynağı durumu, güç kaynağı/fan arızası ve AC durumu için üç adet LED durumu göstergesi
RAID denetleyici modülü	On adet tek renkli LED: <ul style="list-style-type: none"><li>• Bir adet pil hatası</li><li>• Bir adet önbellek etkinliği</li><li>• Bir adet denetleyici hatası</li><li>• Bir adet denetleyici gücü</li><li>• Bir adet sistem tanımlama</li><li>• Bir adet yönetim Ethernet etkinliği</li><li>• Dört adet iSCSI Giriş bağlantı noktası etkinliği</li></ul> Altı adet iki renkli LED: <ul style="list-style-type: none"><li>• Dört adet iSCSI Giriş bağlantı hızı</li><li>• Bir adet SAS ÇIKIŞI bağlantısı veya hatası</li><li>• Bir adet yönetim Ethernet bağlantı hızı</li></ul>

---

## Anahtar

---

Sistem tanımlama düğmesi	Ön kontrol panelinde yer alır. Bu düğme raf içindeki bir sistemi bulmak için kullanılır.
Kasa modu anahtarı	Sistemin ön kısmında yer alır. Bu anahtar, PowerVault MD3200i serisi depolama dizisinde bulunmamaktadır.
Parola sıfırlama anahtarı	RAID denetleyici modülünün arka paneline yerleştirilmiştir. Bu anahtar depolama dizisi parolasını sıfırlamak için kullanılır.

---

## Güç Kaynakları

---

AC güç kaynağı (güç kaynağı başına)

Vatt Değeri	600 V
Gerilim	100–240 VAC (8,6 A–4,3 A)
Isı dağıtımı	100 V
Maksimum ani akım	Normal hat koşulları altında ve sistemin ortam çalışma aralığının tamamı boyunca, ani akım 10 ms veya daha kısa bir süre için güç kaynağı başına maksimum 55 A'ya ulaşabilir.

---

## Mevcut Sabit Sürücü Gücü (Yuva Başına)

---

PowerVault MD3200i	25 V
PowerVault MD3220i	12 V

---

## RAID Denetleyici Modülü Gücü (Yuva Başına)

---

Maksimum güç tüketimi	100 V
-----------------------	-------

---

## Fiziksel

---

PowerVault MD3200i

Yükseklik	8,68 cm (3,41 inç)
Genişlik	44,63 cm (17,57 inç)
Derinlik	60,20 cm (23,70 inç)
Ağırlık (maksimum yapılandırma)	29,30 kg (64,6 lb)
Ağırlık (boş durumda)	8,84 kg (19,5 lb)

PowerVault MD3220i

Yükseklik	8,68 cm (3,41 inç)
Genişlik	44,63 cm (17,57 inç)
Derinlik	54,90 cm (21,61 inç)
Ağırlık (maksimum yapılandırma)	24,22 kg (53,4 lb)
Ağırlık (boş durumda)	8,61 kg (19lb)

---

## Çevre Özellikleri

---

**NOT:** Belirli sistem yapılandırmalarına ilişkin çevresel ölçümlerle ilgili ek bilgi için bkz. [www.dell.com/environmental\\_datasheets](http://www.dell.com/environmental_datasheets).

### Sıcaklık

Çalışma Saatte maksimum 10°C'lik sıcaklık değişimli 10° - 35°C (50° - 95°F)

**NOT:** 2950 fitten fazla yükseklikler için, maksimum çalışma sıcaklığı 1°F/550 ft. düşer.

Depolama Saatte maksimum 20°C'lik sıcaklık değişimli -40° - 65°C (-40° - 149°F)

### Bağıl nem

Çalışma Saatte maksimum %10'luk nem değişimli %20 - %80 (yoğuşmasız)

Depolama %5 - %95 (yoğuşmasız)

### Maksimum titreşim

Çalışma 15 dk. için 3–200 Hz'de 0,25 G

Depolama 15 dk. için 3–200 Hz'de 0,5 G

### Maksimum sarsıntı

Çalışma Çalışma yönünde 2,6 ms için 31 G'lik pozitif z ekseninde (sistemin her tarafında tek darbe) tek sarsıntı darbesi

Depolama Pozitif ve negatif x, y ve z eksenlerinde 2 ms'ye kadar 71 G değerinde gerçekleşen birbiri ardına altı sarsıntı darbesi (sistemin her tarafında tek darbe)

### Yükseklik

Çalışma -16 - 3048 m (-50 - 10.000 ft)

**NOT:** 2950 fitin üzerindeki yükseklikler için, maksimum çalışma sıcaklığı 1°F/550 ft düşer.

Depolama -16 - 10.600 m (-50 - 35.000 ft)

### Havadan Geçen Madde Düzeyi

Sınıf ISA-S71.04-1985 ile tanımlanan biçimde G1



## סביבתי

**הערה:** לקבלת מידע נוסף אודות מדידות סביבתיות עבור תצורות מערכת מסוימות, ראה [www.dell.com/environmental\\_datasheets](http://www.dell.com/environmental_datasheets).

טמפרטורה	
הפעלה	10° עד 35° צלזיוס (50° עד 95° פרנהייט) עם שינוי הדרגתי מרבי בטמפרטורה של 10° צלזיוס בשעה
	<b>הערה:</b> בגבהים שמעל 900 מטר, טמפרטורת ההפעלה המרבית יורדת ב- 0.5 מעלות צלזיוס בקירוב לכל 165 מ'. -40° עד 65° צלזיוס (-40° עד 149° פרנהייט) עם שינוי הדרגתי מרבי בטמפרטורה של 20° צלזיוס בשעה
אחסון	
לחות יחסית	
הפעלה	20% עד 80% (ללא התעבות) עם שינוי הדרגתי מרבי בלחות של 10% בשעה
אחסון	5% עד 95% (ללא התעבות)
מידת תנודה מרבית	
הפעלה	0.25 G ב- 200-3 הרץ במשך 15 דקות
אחסון	0.5 G ב- 200-3 הרץ במשך 15 דקות
מידת זעזועים מרבית	
הפעלה	פעימת זעזוע אחת של 31 G בציר Z החיובי (פעימה אחת בכל צד של המערכת) למשך 2.6 מילי-שניות בכיוון ההפעלה
אחסון	שש פעימות זעזוע של 71 G המופעלות בזו אחר זו בצירי X, Y ו-Z החיוביים והשליליים (פעימה אחת בכל צד של המערכת) למשך עד 2 אלפיות השנייה
גובה	
הפעלה	16- עד 3048 מטר (50- עד 10,000 רגל) <b>הערה:</b> בגבהים שמעל 900 מטר, טמפרטורת ההפעלה המרבית יורדת ב- 0.5 מעלות צלזיוס בקירוב לכל 165 מטר.
אחסון	16- עד 10,600 מטר (50- עד 35,000 רגל)
רמת זיהום אווירי	
סיווג	ISA-S71.04-1985 כמוגדר ב-

<b>ספקי זרם</b>	
זרם חילופין (לכל ספק זרם)	
הספק	600 וואט
מתח	100–240 וולט ז"ח (4.3–8.6 אמפר)
פיזור חום	100 וואט
זרם נהירה מרבי	בתנאי קו טיפוסיים ובטווח הפעולה של סביבת המערכת כולה, זרם הנהירה (inrush) עשוי להגיע ל- 55 אמפר לכל היותר לכל ספק זרם למשך 10 מ"ש או פחות.
<b>אספקת חשמל זמינה לכונן קשיח (לחריץ)</b>	
PowerVault MD3200i	25 וואט
PowerVault MD3220i	12 וואט
<b>אספקת חשמל למודול בקר RAID (לחריץ)</b>	
צריכת זרם מרבית	100 וואט
<b>פיזי</b>	
PowerVault MD3200i	
גובה	8.68 ס"מ
רוחב	44.63 ס"מ
עומק	60.20 ס"מ
משקל (תצורה מרבית)	29.30 ק"ג
משקל (ריק)	8.84 ק"ג
PowerVault MD3220i	
גובה	8.68 ס"מ
רוחב	44.63 ס"מ
עומק	54.90 ס"מ
משקל (תצורה מרבית)	24.22 ק"ג
משקל (ריק)	8.61 ק"ג

---

## נוריות חיווי

---

- נורית חיווי אחת בעלת שני צבעים לציון מצב המערכת
- שתי נוריות חיווי בעלות צבע אחד למצב אספקת חשמל וזיווד

### **הערה:** נורית מצב זיווד אינה ישימה למערך האחסון PowerVault MD3200i Series.

- נורית פעילות אחת בעלת צבע אחד
- נורית חיווי מצב אחת בעלת שני צבעים לכל כונן
- שלוש נוריות חיווי מצב לציון מצב ספק הזרם, כשל בספק זרם/מאוורר ומצב זרם חילופין
- עשר נוריות של צבע אחד:
- אחת לתקלה בסוללה
- אחת למטמון פעיל
- אחת לתקלה בבקר
- אחת לאספקת חשמל לבקר
- אחת לזיהוי מערכת
- אחת לניהול פעילות Ethernet
- ארבע לפעילות יציאת iSCSI IN
- שש נוריות בשני צבעים:
- ארבע למהירות קישור iSCSI IN
- אחת לקישור או תקלה של SAS OUT
- אחת לניהול מהירות קישור Ethernet

---

## מתג

---

- לחצן זיהוי מערכת
- ממוקם בלוח הבקרה הקדמי. לחצן זה משמש לאיתור מערכת בתוך מעמד.
- מתג מצב זיווד
- ממוקם בחזית המערכת. מתג זה אינו ישים למערך האחסון PowerVault MD3200i Series.
- מתג איפוס סיסמה
- נמצא בלוח האחורי של מודול בקר ה- RAID. מתג זה משמש לאיפוס סיסמת מערך האחסון.

---

## מחברי לוח אחורי (לכל מודול בקר RAID) (המשך)

---

100/1000 Base-T port Ethernet אחד עבור ניהול out-of-band של הזיורד

Ethernet מחבר ניהול

**הערה:** כתובות ה-IP של יציאות הניהול עבור מודולי בקר ה-RAID הראשי והמשני הן 192.168.128.101 ו-192.168.128.102, בהתאמה. כברירת מחדל, יציאות הניהול מוגדרות לפרוטוקול Dynamic Host Configuration Protocol (DHCP). אם הבקר אינו מצליח לקבל תצורת כתובת IP משרת ה-DHCP תוך זמן מוגדר (3 דקות לערך), הוא חוזר חזרה לברירת המחדל של מיעון IP סטטי. לקבלת מידע נוסף, עיין במדריך הפריסה.

---

## הרחבה

תמיכה ב-192 כוננים קשיחים לכל היותר, עם כל צירוף של זיוודי הרחבה PowerVault MD1200 או PowerVault MD1220. תמיכה ב-192 כוננים קשיחים היא תכונת פרמיום ומחייבת הפעלה. המספר המרבי של כוננים קשיחים שנתמך ללא שימוש בתכונת פרמיום הוא 120. קישוריות נתיבים יתירים מספקת נתיבי נתונים יתירים לכל כונן קשיח.

---

PowerVault MD1200 Series

## לוח אם

- 12 או 24 מחברי כונן קשיח SAS
- שני מחברי מודול ספק זרם/מאוורר קירור
- שתי ערכות של מחברי מודול בקר RAID
- מחבר לוח בקרה אחד לנוריות קדמיות ומתג מצב זיורד שני חיישני טמפרטורה

מחברים

חיישנים

# מידע NOM (מקסיקו בלבד)

המידע הבא ניתן עבור ההתקן המתואר במסמך זה, בהתאם לדרישות התקנים המקסיקניים הרשמיים (NOM):

Dell Inc. de México, S.A. de C.V.  
Paseo de la Reforma 2620 -11º Piso  
Col. Lomas Altas  
11950 México, D.F.

יבואן:

E03J ו- E04J	מספר דגם:
CA 100-240 וולט	מתח חשמלי:
50/60 הרץ	תדר:
8.6 אמפר	צריכת זרם:

## מפרט טכני

כוננים	
עד שניים עשר כוננים קשיחים מסוג SAS בגודל 3.5 אינץ' עם אפשרות להחלפה חמה (3.0 Gbps ו-6.0 Gbps)	PowerVault MD3200i
עד עשרים וארבעה כוננים קשיחים מסוג SAS בגודל 2.5 אינץ' עם אפשרות להחלפה חמה (3.0 Gbps ו-6.0 Gbps)	PowerVault MD3220i
מודולי בקר RAID	
<ul style="list-style-type: none"><li>מודול אחד או שניים, עם אפשרות להחלפה חמה, עם חיישני טמפרטורה</li><li>מטמון של 2 GB לכל בקר</li></ul>	מודולי בקר RAID
מחברי לוח אחורי (לכל מודול בקר RAID)	
ארבעה מחברי iSCSI IN 1 GB לחיבור מארחים	מחברי iSCSI
יציאת SAS OUT אחת להרחבה של זיווד PowerVault MD1200 Series נוסף.	מחבר הרחבה SAS
<b>הערה:</b> מחברי SAS תואמים ל- SFF-8088.	
מחבר 6 פינים אחד מסוג מיני-DIN	מחבר טורי
<b>הערה:</b> לשימוש תמיכה טכנית בלבד.	

9 עם סיום האתחול, ייתכן שה-MDCU יופעל אוטומטית. אם ה-MDCU אינו מופעל אוטומטית, הפעל אותו ידנית.

- במערכת הפעלה מבוססת Windows, לחץ על **Start** (התחל) ← **Dell** ← **Modular Disk Configuration Utility**.

- במערכת הפעלה מבוססת Linux, לחץ פעמיים על הסמל **Modular Disk Configuration Utility** שעל שולחן העבודה.

 **הערה:** אם MDCU אינו מותקן, עיין במדריך הפריסה באתר [support.dell.com/manuals](http://support.dell.com/manuals).

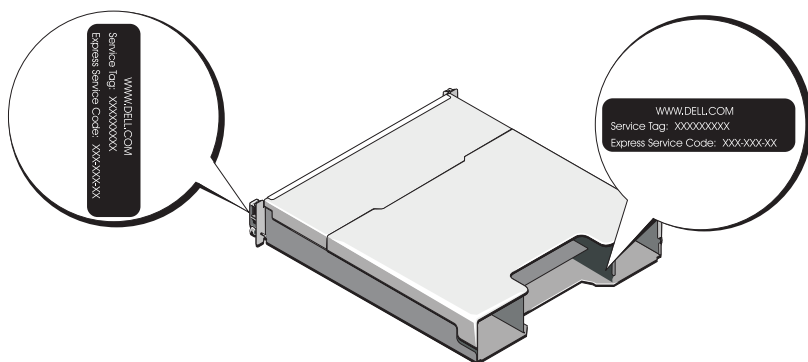
10 הפעל את **MD Storage Manager** ואתר את המערך או המערכים.

11 אם מתאים, הפעל תכונות פרמיום שרכשת עם מערך האחסון. אם רכשת תכונות פרמיום, עיין בכרטיס ההפעלה המודפס המצורף למערך האחסון.


 **הערה:** תוכנית ההתקנה של **MD Storage Manager** מתקינה אוטומטית את מנהלי ההתקנים הדרושים, קושחה וטלאים/תיקונים חמים של מערכת ההפעלה שמיועדים להפעלת מערך האחסון. מנהלי התקנים וקושחה אלו זמינים גם באתר [support.dell.com](http://support.dell.com). נוסף על כך, עיין ב- *Support Matrix* (מטריצת תמיכה) באתר [support.dell.com/manuals](http://support.dell.com/manuals) לקבלת הגדרות ו/או תוכנות נוספות הדרושות למערך האחסון שברשותך.

## איתור תג השירות

המערכת מזוהה באמצעות קוד שירות מהיר ומספר תג שירות ייחודיים. קוד השירות המהיר ותג השירות נמצאים בחזית המערכת ובגב המערכת, ליד מודולי בקר ה-RAID. מידע זה משמש את Dell לניתוב שיחות תמיכה לעובדים המתאימים.



1 הכנס את מדיית המשאבים של MD Series. אם בהתאם למערכת ההפעלה, ייתכן שתוכנית ההתקנה תופעל אוטומטית. אם תוכנית ההתקנה אינה מופעלת אוטומטית, נווט לספריית השורש במדיית ההתקנה (או תמונת תוכנית ההתקנה שהורדת) והפעל את הקובץ **md\_launcher.exe**. במערכות מבוססות Linux, נווט אל השורש של מדיית המשאב והפעל את הקובץ **autorun**.

 **הערה:** כבירת מחדל, מערכת ההפעלה Red Hat Enterprise Linux מרכיבה את מדיית המשאב באמצעות האפשרות **-noexec mount**, אשר אינה מאפשרת להפעיל קובצי הפעלה. כדי לשנות הגדרה זו, עיין בקובץ **Readme** שבספריית השורש של מדיית ההתקנה.

2 בחר באפשרות **Install MD Storage Software**.


3 קרא את הסכם הרשיון וקבל אותו.

4 בחר את אפשרויות ההתקנה הבאות מתוך התפריט הנפתח **Install Set**:

- **Full (recommended)** (מלא (מומלץ)) — התקנת תוכנת MD Storage Manager (לקוח), סוכן אחסון מבוסס מארח, מנהלי התקנים לריבוי נתיבים וספקי חומרה.
- **Host Only** (מארח בלבד) — התקנת סוכן האחסון מבוסס המארח ומנהלי התקנים לריבוי נתיבים.
- **Management** (ניהול) — התקנת תוכנת הניהול וספקי החומרה.
- **Custom** (מותאמת אישית) — אפשרות לבחור רכיבים מסוימים.

5 בחר את דגמי מערך האחסון MD שאתה מגדיר לשימוש כאחסון נתונים עבור שרת מארח זה.

6 בחר אם להפעיל שירות ניטור אירועים בצורה אוטומטית או ידנית, בעת אתחול מחדש של השרת המארח.

 **הערה:** אפשרות זו ישימה רק להתקנת תוכנת לקוח ל- Windows.

7 אשר את מיקום ההתקנה ולאחר מכן לחץ על **Install** (התקנה).

8 אם תתבקש, אתחל את השרת המארח לאחר השלמת ההתקנה.

הפעל את הרכיבים בסדר הבא

1 מתגי Ethernet (אם בשימוש).

2 זיווד הרחבה PowerVault MD1200 Series (אם בשימוש).

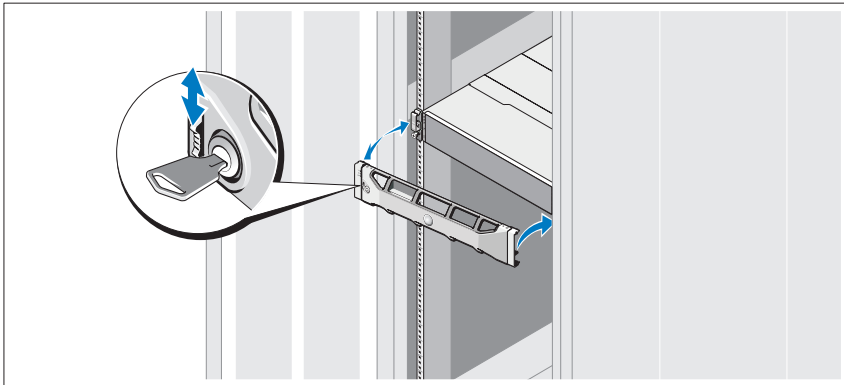
**הערה:** לפני הפעלת מערך האחסון, ודא שנורית המצב של זיווד ההרחבה מאירה בכחול.

3 מערך אחסון PowerVault MD3200i Series.

**הערה:** לפני הפעלת השרתים המארחים, ודא שנורית המצב של מערך האחסון מאירה בכחול.

4 שרתים מארחים.

## התקנת הלוח הקדמי



התקן את הלוח הקדמי (אופציונלי).

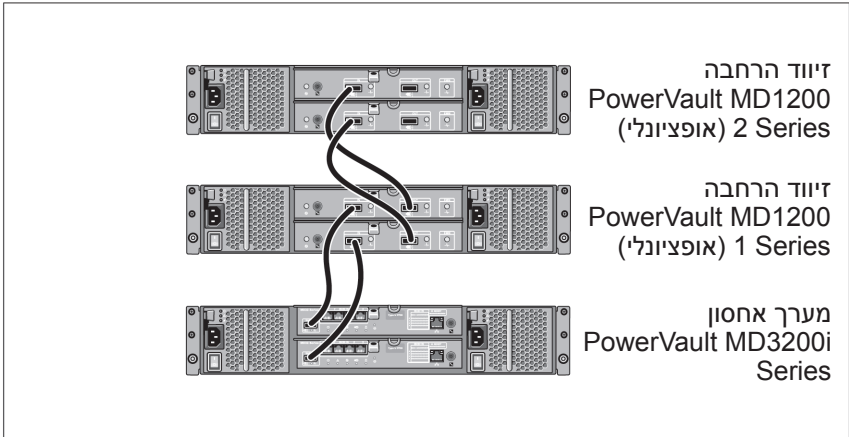
## התקנת תוכנת האחסון MD

**הערה:** לקבלת הוראות מפורטות לגבי ההתקנה של תוכנת האחסון MD, הגדרת הזיווד והמשימות שלאחר ההתקנה, עיין במדריך הפריסה.

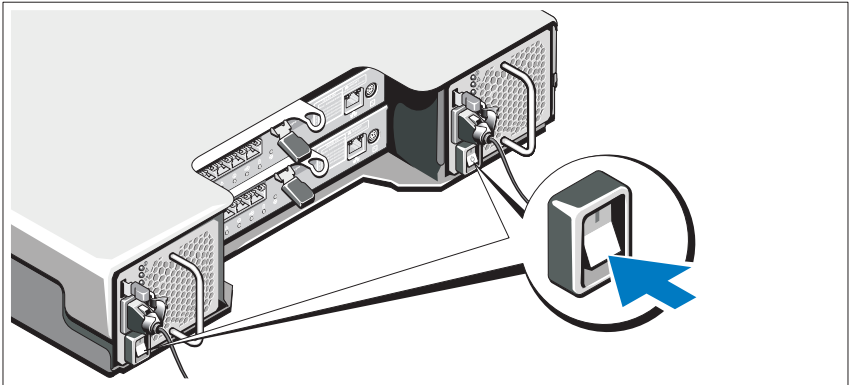
תוכנת MD Storage Manager קובעת את התצורה של מערך האחסון, מנהלת אותו ומבצעת ניטור שלו. היישום MD Configuration Utility (MDCU), תוכנית שירות אופציונלית, מספק גישה מאוחדת לקביעת תצורה של יציאות הניהול ומארה ה-iSCSI וכן ליצירת הפעלות עבור מערכי אחסון הדיסקים המודולריים ב-iSCSI. מומלץ להשתמש ב-MDCU כדי לקבוע את התצורה של iSCSI בכל שרת מארח המחובר למערך אחסון. כדי להתקין את תוכנת האחסון MD:



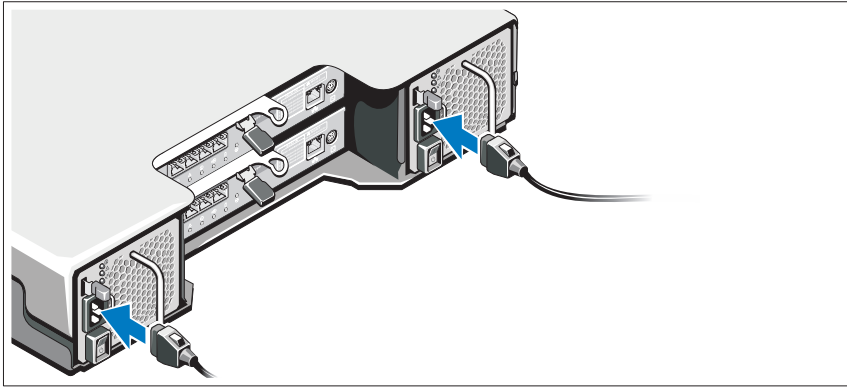
## חיווט זיווד ההרחבה



## הפעלת הזיווד

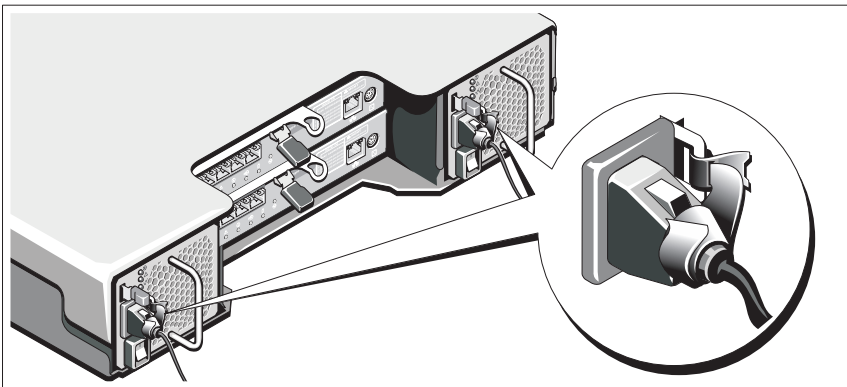


## חיבור כבלי החשמל



ודא שמתג ההפעלה נמצא במצב כבוי (OFF), לפני שתחבר את כבלי החשמל. חבר אל המערכת את כבל(י) החשמל של המערכת.

## אבטחת כבלי החשמל



אבטח את הכבלים היטב לכן באמצעות הרצועות המצורפת. חבר את הקצה השני של כבלי החשמל לשקע חשמל מוארק או למקור חשמל נפרד, כגון אל-פסק (UPS) או ליחידת חלוקת חשמל (PDU). כל ספק זרם צריך להיות מחובר למעגל חשמלי נפרד.

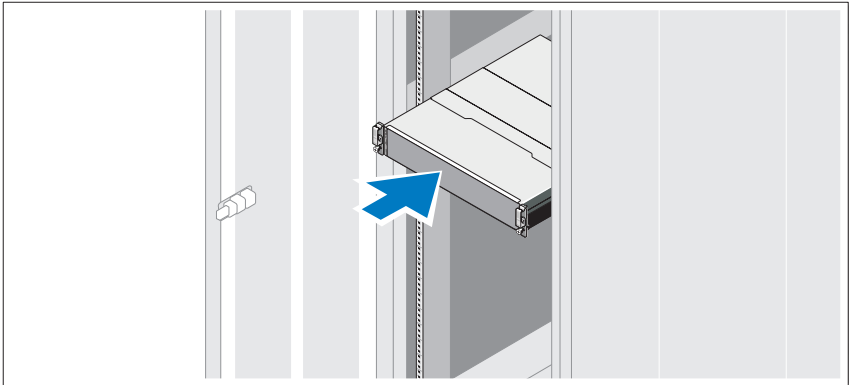
## התקנה וקביעת תצורה

**אזהרה:** לפני ביצוע ההליך הבא, עיין בהוראות הבטיחות המצורפות למערכת. 


### הוצאת המערכת מהאריזה

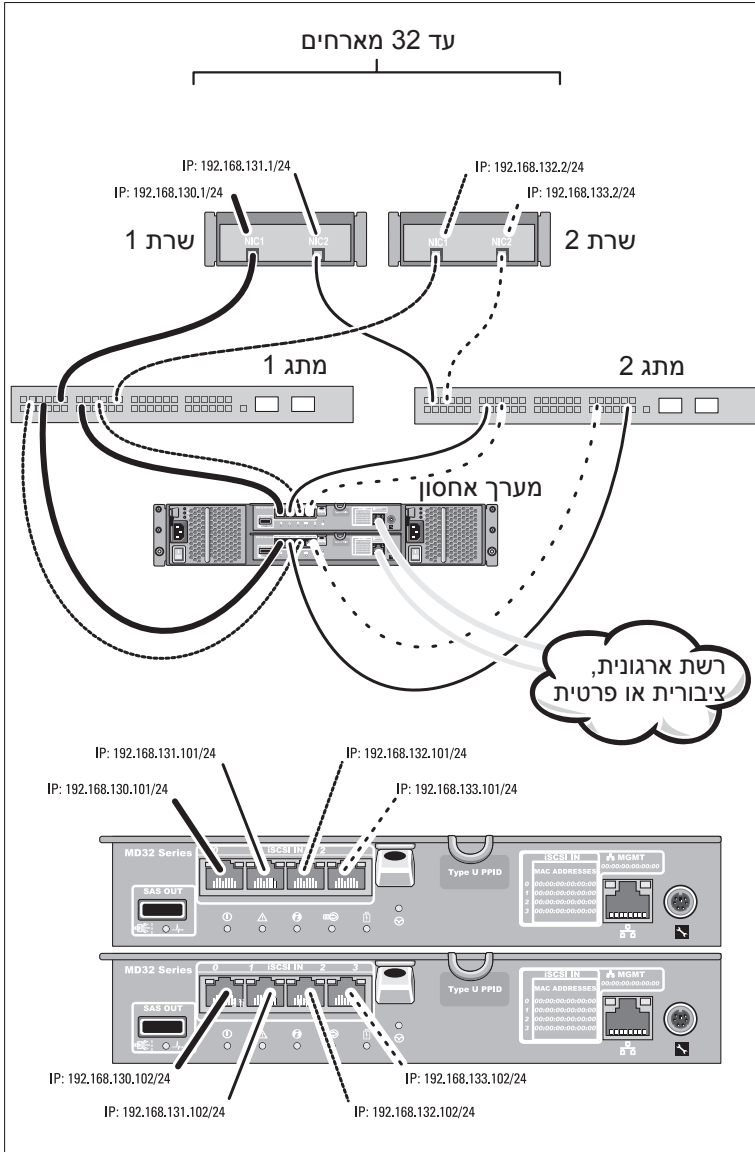
הוצא את המערכת מהאריזה וזהה כל פריט, לפי רשימת האריזה שמצורפת למערכת.

### התקנת המסילות והמערכת במעמד

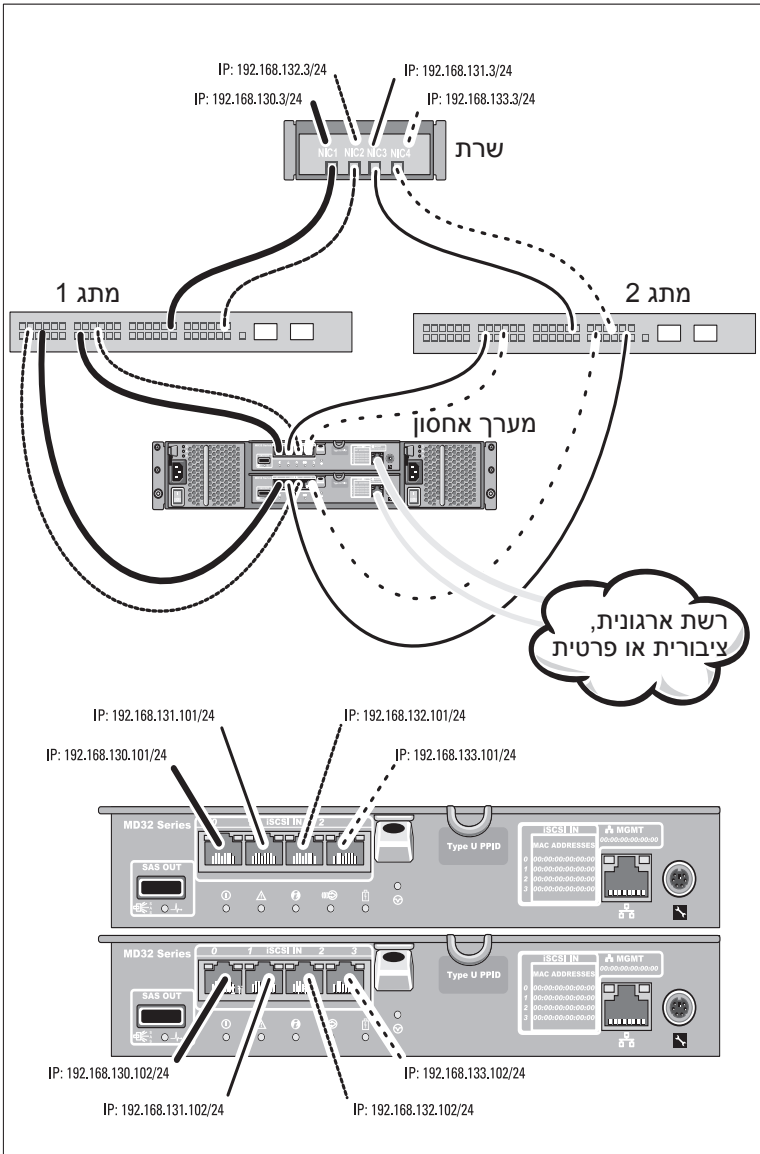


הרכב את המסילות והתקן את המערכת במעמד, תוך ביצוע הוראות הבטיחות והוראות התקנת המעמד המצורפות למערכת.

**הערה:**  כדי לאזן את עומס המשקל, מומלץ להתקין את מערך האחסון PowerVault MD3200i Series בחלק התחתון של המעמד ואת זיודי ההרחבה PowerVault MD1200 Series מעליו.

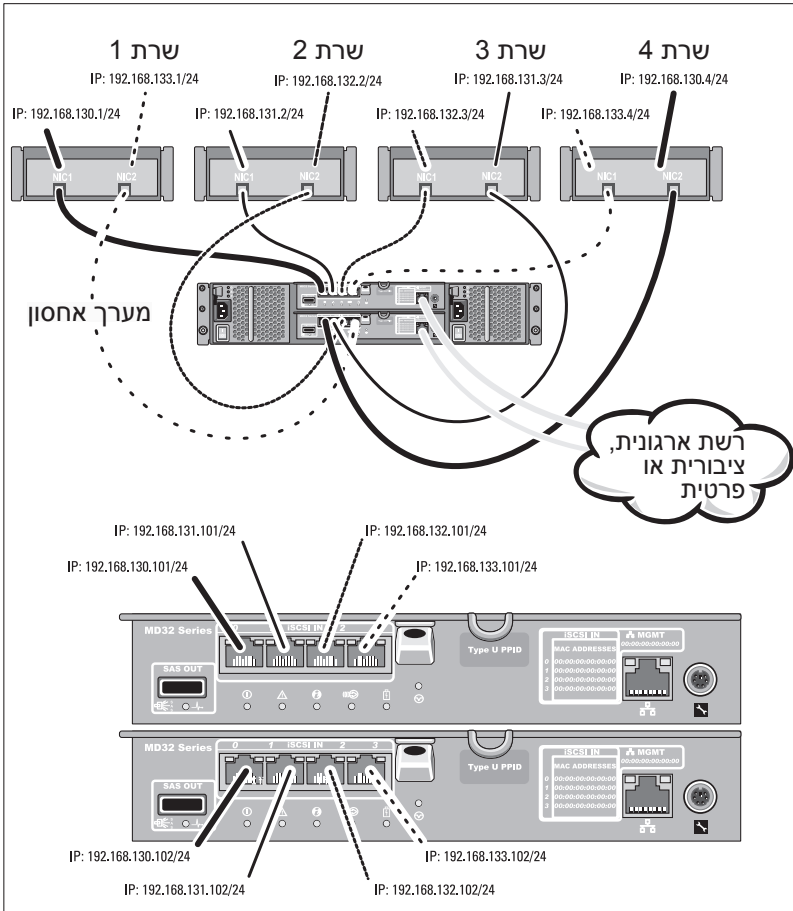



# חיווט המארחים המחוברים דרך SAN



# תצורות נפוצות

## חיווט המארחים המחוברים ישירות



- המדריך למתכנת *SMI-S* מספק מידע על השימוש בספק ה- *SMI-S* ובתכנות *SMI-S*.
  - כל מדיה המצורפת למערכת המספקת תיעוד וכלים לקביעת תצורה וניהול של המערכת, כולל אלה השייכים למערכת ההפעלה, תוכנת ניהול המערכת, עדכוני מערכת ורכיבי מערכת שרכשת עם המערכת.
- הערה:** בדוק תמיד עדכונים באתר [support.dell.com/manuals](https://support.dell.com/manuals)  וקרא את העדכונים תחילה, מכיוון שפעמים רבות הם מחליפים מידע במסמכים אחרים.

## הכנת השרת המארח


### מערכות הפעלה נתמכות

- Microsoft Windows Server
- Red Hat Enterprise Linux
- SUSE Linux Enterprise Server
- VMware

**הערה:** לקבלת המידע העדכני ביותר על כל הגרסאות של מערכות ההפעלה הנתמכות, ראה *Support Matrix* (מטריצת תמיכה) באתר [support.dell.com/manuals](https://support.dell.com/manuals) 

### כרטיסי NIC נוספים עבור iSCSI


בעת התקנת כרטיסי NIC נוספים, מומלץ:

- להשתמש ברשתות אחסון יתירות ייעודיות לתעבורת iSCSI. אם רשת ייעודית אינה ישימה, בודד את תעבורת ה- iSCSI מתעבורת הרשת הכללית באמצעות רשתות מקומיות וירטואליות (VLAN).
  - להשתמש בכרטיסי NIC נוספים ייעודיים לתעבורת iSCSI.
  - יש להוסיף את כרטיסי ה- NIC בזוגות לקבלת יתירות (עד ארבעה כרטיסי NIC).
- הערה:** יש תמיכה גם ב- NIC בודד. 

### קביעת תצורה של NIC

בסביבת SAN, בהתאם למספר המתגים, מומלץ להשתמש בשתיים עד ארבע רשתות משנה ייחודיות לתעבורת iSCSI. עבור סביבות אחסון המחוברות ישירות, כל NIC המחובר ישירות למערך האחסון PowerVault MD3200i Series חייב להיות ברשת משנה נפרדת.

שער ברירת מחדל	מסיכת רשת משנה	כתובת IP סטטית (מערך אחסון)	B
_____	_____	_____	בקר iSCSI 0, ב- 0
_____	_____	_____	בקר iSCSI 0, ב- 1
_____	_____	_____	בקר iSCSI 0, ב- 2
_____	_____	_____	בקר iSCSI 0, ב- 3
_____	_____	_____	יציאת ניהול בקר 0
_____	_____	_____	בקר iSCSI 1, ב- 0
_____	_____	_____	בקר iSCSI 1, ב- 1
_____	_____	_____	בקר iSCSI 1, ב- 2
_____	_____	_____	בקר iSCSI 1, ב- 3
_____	_____	_____	יציאת ניהול בקר 1

 **הערה:** לקבלת מידע על גיליון ה- IPv6, עיין במדריך הפריסה.

## תיעוד ומדיה נוספים שעשויים להידרש לך

 **אזהרה:** עיין במידע הבטיחות והתקינה המצורף למערכת שברשותך. מידע בנוגע לאחריות עשוי להיות כלול במסמך זה או כמסמך נפרד.

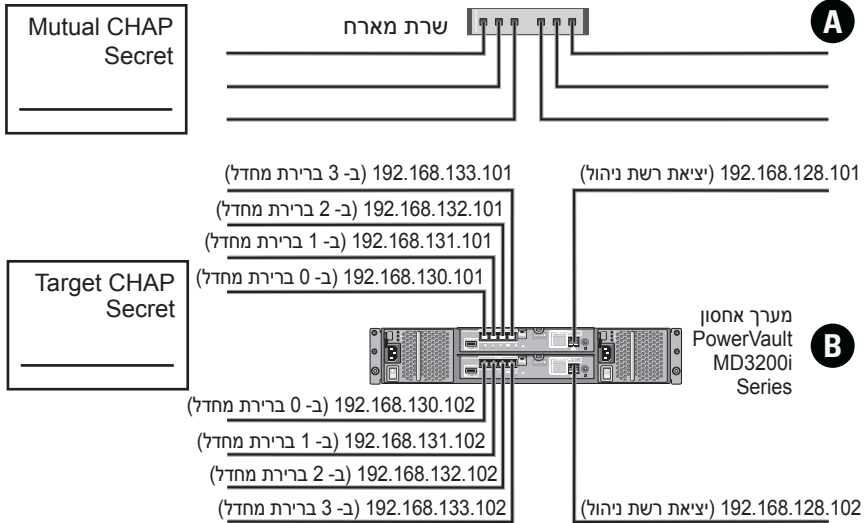
 **הערה:** כל מסמכי מערך האחסון PowerVault MD3200i Series זמינים בכתובת [support.dell.com/manuals](https://support.dell.com/manuals).

- תיעוד המעמד המצורף לפתרון המעמד שברשותך מתאר את אופן התקנת המערכת במעמד.
- המדריך למשתמש מספק מידע אודות תכונות מערכת ומתאר כיצד לפתור בעיות במערכת וכן כיצד להתקין או להחליף רכיבי מערכת.
- מדריך הפריסה מספק מידע על התקנה וקביעת תצורה של תוכנה וחומרה.
- מדריך ה- *CLI* מספק מידע על שימוש בממשק שורת הפקודה (*CLI*) לקביעת התצורה ולניהול מערך האחסון.



# מילוי גיליון ה- iSCSI

## הגדרות IPv4



אם דרוש לך מקום נוסף ליותר משרת מארח אחד, השתמש בגיליון נוסף.

			<b>A</b> כתובת IP סטטית (שרת מארח)
שער ברירת מחדל	מסיכת רשת משנה		יציאת iSCSI 1
_____	_____	_____	יציאת iSCSI 2
_____	_____	_____	יציאת iSCSI 3
_____	_____	_____	יציאת iSCSI 4
_____	_____	_____	יציאת ניהול

**הערה:** השרת המארח יכול לתמוך בארבעה כרטיסי NIC לכל היותר.

## לפני שתתחיל




**הערה:** לאורך המסמך, מערך האחסון Dell PowerVault MD3200i Series מתייחס הן ל- Dell PowerVault MD3200i והן ל- Dell PowerVault MD3220i. זיווד ההרחבה Dell PowerVault MD1200 Series מתייחס הן ל- Dell PowerVault MD1200 והן ל- Dell PowerVault MD1220.

לפני הגדרת מערך האחסון Dell PowerVault MD3200i Series, עליך לקחת בחשבון נהלי עבודה מיטביים מסוימים כדי להבטיח שמעריך האחסון יפעל ביעילות מרבית ויציע יתירות מלאה (אם נדרש).

- מומלץ להשתמש ב- IP SAN ייעודי לשידור נתונים ב- iSCSI. את תעבורת הניהול ניתן לבודד ברשת ניהול נפרדת.
- מלא את גיליון התצורה של iSCSI לפני קביעת התצורה של iSCSI. ראה "מילוי גיליון ה- iSCSI" בעמוד 4. גיליון עבודה זה נועד לאיסוף נתוני רשת פיזיים במקור בודד.
- לאחר מילוי גיליון ה- iSCSI, שרטט את התצורה לפני הגדרת הפתרון.
- הגדר תמיד נתיבי נתוני iSCSI יתירים כדי לספק נתיבים חלופיים אל השרת המארח וממנו, למקרה שאחד מנתיבי הנתונים ינוטרל.
- אם כרטיסי NIC מרובים מותקנים במארח, מומלץ להשתמש ברשתות משנה שונות לניהול ולקישורי נתוני iSCSI.
- בכל הרשת, השתמש תמיד בכבל Ethernet מקטגוריה 5e (או גבוהה יותר).
- לפני חיבור כבלים כלשהם בין השרת המארח ומעריך האחסון, סמן פיזית כל יציאה ומחבר.
- בצע תמיד הליכי הפעלה וכיבוי מתאימים, בעת ביצוע מחזור הפעלה ברשת. כמו כן, עליך להקפיד לחבר רכיבי רשת קריטיים למעגלים חשמליים נפרדים.

**הערה:** האיורים במסמך זה מראים חיווט עבור מערך אחסון PowerVault MD3200i Series אחד בלבד בסביבת SAN. כמון כן, באיורים מוצגים רק ערכי ברירת המחדל של כתובות ה- IP עבור מערך האחסון PowerVault MD3200i Series. כדי לחוות יותר ממערך אחסון אחד של PowerVault MD3200i Series בסביבת SAN, עיין במדריך הפריסה.

## הערות, התראות ואזהרות

-  **הערה:** "הערה" מציינת מידע חשוב המסייע להשתמש במחשב ביתר יעילות.
-  **התראה:** "התראה" מציינת נזק אפשרי לחומרה או אובדן נתונים, במקרה של אי ציות להוראות.
-  **אזהרה:** "אזהרה" מציינת אפשרות של נזק לרכוש, פגיעה גופנית או מוות.

---

המידע בפרסום זה עשוי להשתנות ללא הודעה.  
© 2011 Dell Inc. כל הזכויות שמורות.

כל איסור מוחלט על העתקה מכל סוג של חומרים אלה ללא הרשאה בכתב מ-Dell Inc. סימנים מסחריים שבשימוש בטקסט זה: Dell™, הלוגו DELL ו- PowerVault™ הם סימנים מסחריים של Dell Inc. ו- Microsoft® Windows Server הם סימנים מסחריים או סימנים מסחריים רשומים של Microsoft Corporation בארצות הברית ו/או במדינות אחרות. Red Hat® ו- Red Hat Enterprise הם סימנים מסחריים רשומים של Red Hat, Inc. בארצות הברית ובמדינות אחרות. SUSE® הוא סימן מסחרי רשום של Novell, Inc. בארצות הברית ובמדינות אחרות. VMware® הוא סימן מסחרי רשום של VMware, Inc. בארצות הברית ו/או בתחומי שיפוט אחרים.

ייתכן שייעשה שימוש בסימנים מסחריים ובשמות מסחריים אחרים בפרסום זה כדי להתייחס לישויות הטוענות לבעלות על הסימנים והשמות, או למוצרים שלהן. Dell Inc. מוותרת על כל חלק קנייני בסימנים מסחריים ושמות מסחריים פרט לאלה שבבעלותה.

דורת דגם תקינה E03J ו- E04J

מערכי אחסון Dell PowerVault  
MD3220i ו- MD3200i

# תחילת עבודה עם המערכת



סדרת דגם תקינה E03J ו- E04J



Printed in Poland.  
Vytisťeno v Polsku.  
Imprimé en Pologne.  
Gedruckt in Polen.  
Εκτύπωση στην Πολωνία.  
Wydrukowano w Polsce.  
Напечатано в Польше.  
Impreso en Polonia.  
Polonya'da basıldı/İşletildi.  
הודפס בפולין

[www.dell.com](http://www.dell.com) | [support.dell.com](http://support.dell.com)



OJ26CKA02